

Florence Shelf

Assembly Instructions

URBAN OUTFITTERS

TOOLS REQUIRED BUT NOT INCLUDED:

Drill, Phillips head screwdriver, Hammer, Pencil

WARNINGS:

Do not throw away packing materials and carton until after assembly.
Ensure all parts are present prior to assembly.
Contact customer service immediately if parts are missing.
Assemble all parts on a clean smooth surface.

CARE INSTRUCTIONS:

Avoid direct exposure to sunlight.
Do not place over heat or air conditioning vents.
Adjust levelers so that the furniture sits flat on uneven floors.
Blot spills with a clean white cloth, do not rub.
Do not use harsh chemicals.
Before cleaning any part test a small spot in a hidden area.
You may need to re-tighten all bolts after initial use.



PARTS INCLUDED:



(A) Shelf



(B) Plastic Anchor
[D0.35" x 1.38"] x2
or
[D9 x 35 mm] x2



(C) Screw
[D.27" x 1.38"] x2
or
[D7 x 35 mm] x2

Florence Shelf

Assembly Instructions

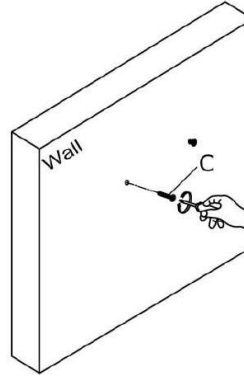
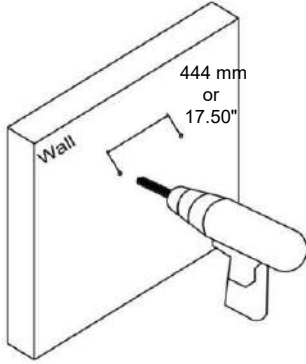
URBAN OUTFITTERS

STEP 1

Place the Shelf (A) on the wall in its desired location. Ensure the Shelf (A) is level and mark the location for the screw holes using the dimensions in the below diagram as reference.

Wood or Stud installation:

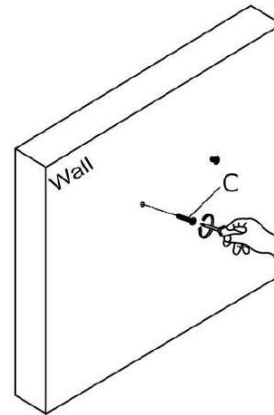
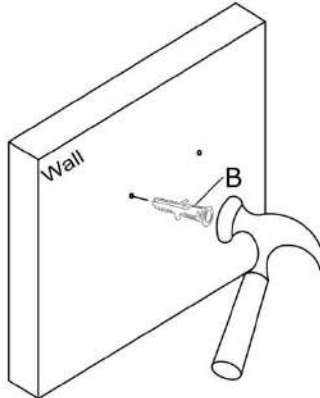
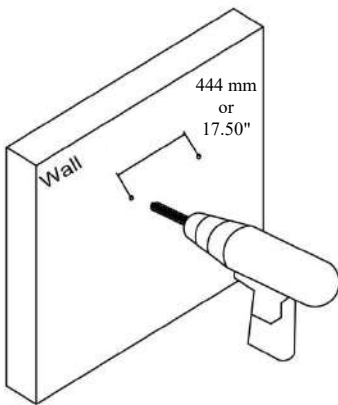
Use a Phillips head screwdriver to fasten the screws (C) directly into the wall at the marked locations. Leave 1/8 - 3/16" between the top of the screws (C) and the wall.



Drywall installation:

Insert anchors (D) into the wall at the marked locations using a drill and a hammer (not included). Insert screws (C) into the anchors, then tighten with a Phillips head screwdriver (not included). Leave 1/8 - 3/16" between the top of the screw (C) and the wall.

The included hardware is intended for attachment to drywall or wooden wall surfaces, contact your local hardware store to find the correct anchor for alternative wall-types such as stone or brick.



STEP 2

Hang the shelf (A) gently on the screws (C). If the shelf (A) slopes downward, tighten the gap between the top of the screws (C) and the wall.

