

Camille Storage Cabinet

URBAN OUTFITTERS

Assembly Instructions

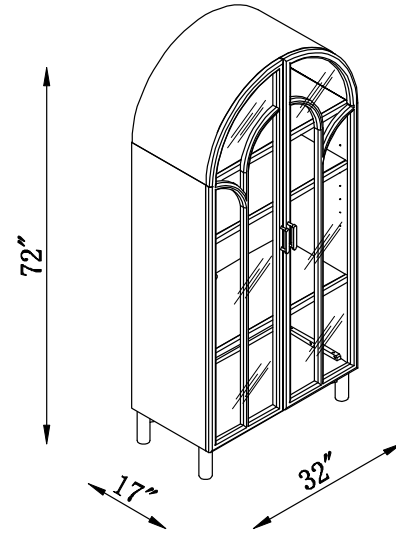
TOOLS REQUIRED BUT NOT INCLUDED:
Phillips head screwdriver, Pencil

WARNINGS:

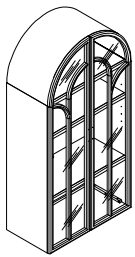
Do not throw away packing materials and carton until after assembly.
Ensure all parts are present prior to assembly.
Contact customer service immediately if parts are missing.
Assemble all parts on a clean smooth surface.
Anti-Tip Hardware must be in place to ensure safety from tipping.

CARE INSTRUCTIONS:

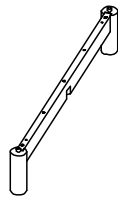
Avoid direct exposure to sunlight.
Do not place over heat or air conditioning vents.
Adjust levelers so that the furniture sits flat on uneven floors.
Blot spills with a clean white cloth, do not rub.
Do not use harsh chemicals.
Before cleaning any part test a small spot in a hidden area.
You may need to re-tighten all bolts after initial use.



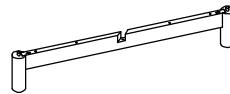
PARTS INCLUDED:



(A) Cabinet
x1



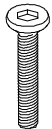
(B) Leg
x1



(C) Leg
x1



(D) Hex key
x1



(E) Bolt
[1/4" x 2-1/2"] x9



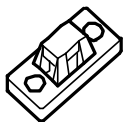
(F) Spring washer
[1/4"] x9



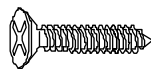
(G) Flat washer
[1/4"] x9



(H) Nylon strip
x2



(I) Bracket
x2



(J) Screw
[M3 x 32mm] x2



(K) Screw
[M3 x 19mm] x2

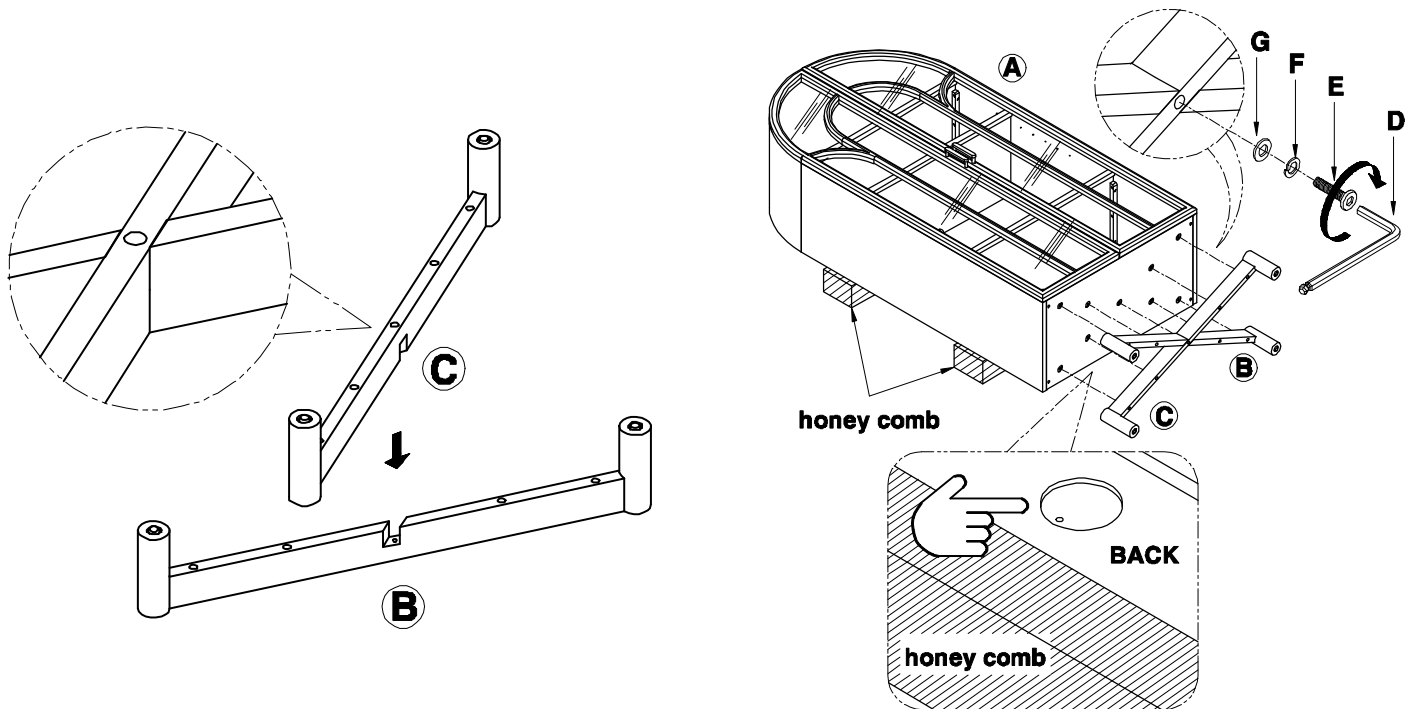
Camille Storage Cabinet

Assembly Instructions

URBAN OUTFITTERS

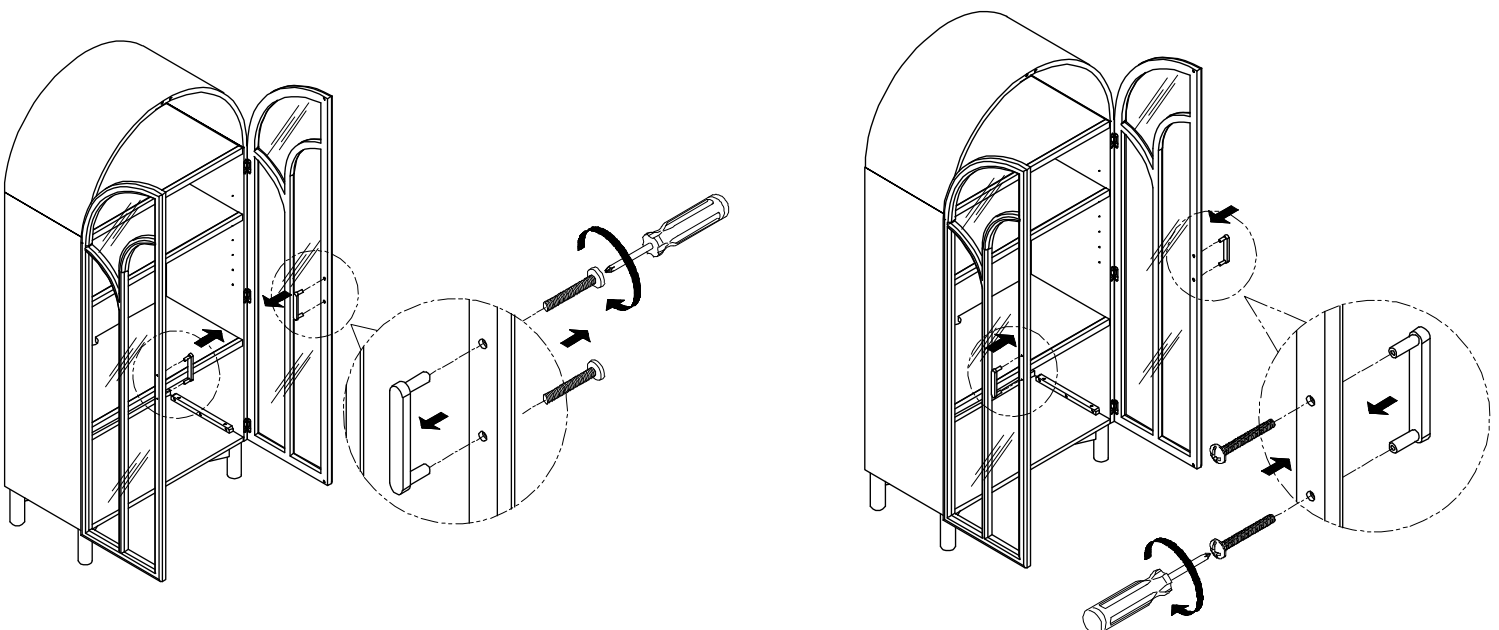
STEP 1

With help, lay the parts out onto a clean smooth surface such as carpet or cardboard. Align legs (C) & (B) as shown and press firmly into place. Align the assembled legs (C) & (B) to the cabinet (A) as shown then, press firmly into place. Insert the flat washer (G), spring washer (F) and bolt (E) as shown then, tighten with supplied hex key (D). With help, flip the cabinet upright making sure you do not lean it on its legs.



STEP 2

Unscrew the handle installed inside the door. Align the handle to the front of the doors as shown and insert the original machine screw. Tighten with a Phillips head screwdriver.



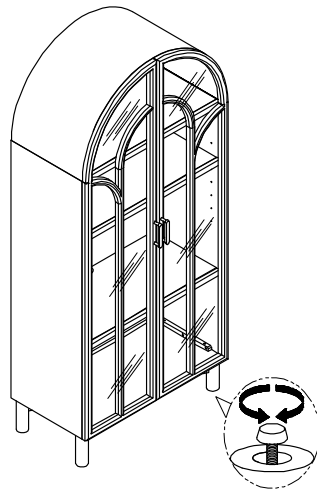
Camille Storage Cabinet

Assembly Instructions

URBAN OUTFITTERS

STEP 3

Turn the adjustable feet so the cabinet sits flat on the ground.



STEP 4

A) Align the bracket (I) to the top back of the cabinet as shown. Insert screws (K) and tighten with a Phillips head screwdriver (not included). Place the second bracket (I) against the wall directly behind the cabinet and mark the location.

B) Wood or Stud installation:
Insert the screw (J) through the second bracket (I). Then, use a Phillips head screwdriver to fasten the screws (J) directly into the wall at the marked location.

Drywall installation:

Contact your local hardware store to source the correct anchors for your wall type, use any screws included with wall anchor kits to attach anti-tip kit brackets to the wall. Insert the wall anchors into the wall at the marked locations. Insert the screws (J) through the second bracket (I) and into the anchors, then tighten with a Phillips head screwdriver (not included).

C) Place the cabinet against the wall aligning the brackets (I), then run the Strap (H) through both brackets (I) and pull it tight to secure the cabinet.

