

Jamie Nightstand

Assembly Instructions

URBAN OUTFITTERS

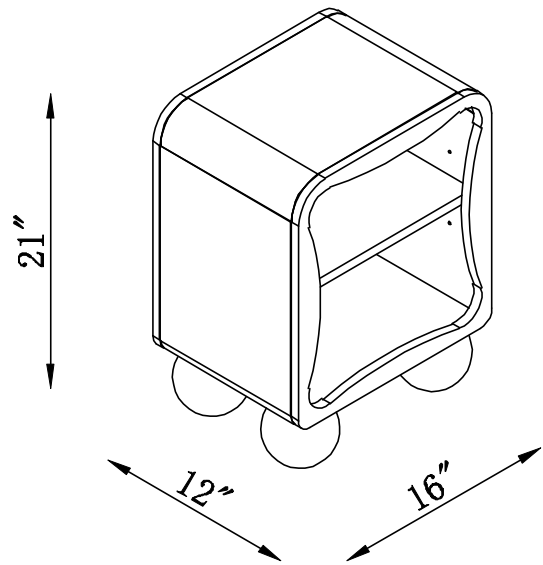
NO ADDITIONAL TOOLS REQUIRED

WARNINGS:

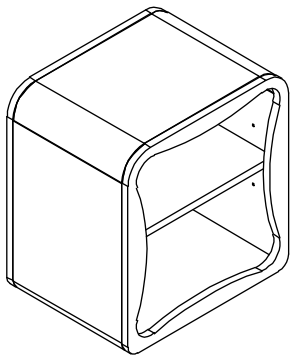
Do not throw away packing materials and carton until after assembly.
Ensure all parts are present prior to assembly.
Contact customer service immediately if parts are missing.
Assemble all parts on a clean smooth surface.

CARE INSTRUCTIONS:

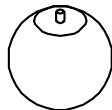
Avoid direct exposure to sunlight.
Do not place over heat or air conditioning vents.
Adjust levelers so that the furniture sits flat on uneven floors.
Blot spills with a clean white cloth, do not rub.
Do not use harsh chemicals.
Before cleaning any part test a small spot in a hidden area.
You may need to re-tighten all bolts after initial use.



PARTS INCLUDED:



(A) Nightstand
x1



(B) Leg
x4

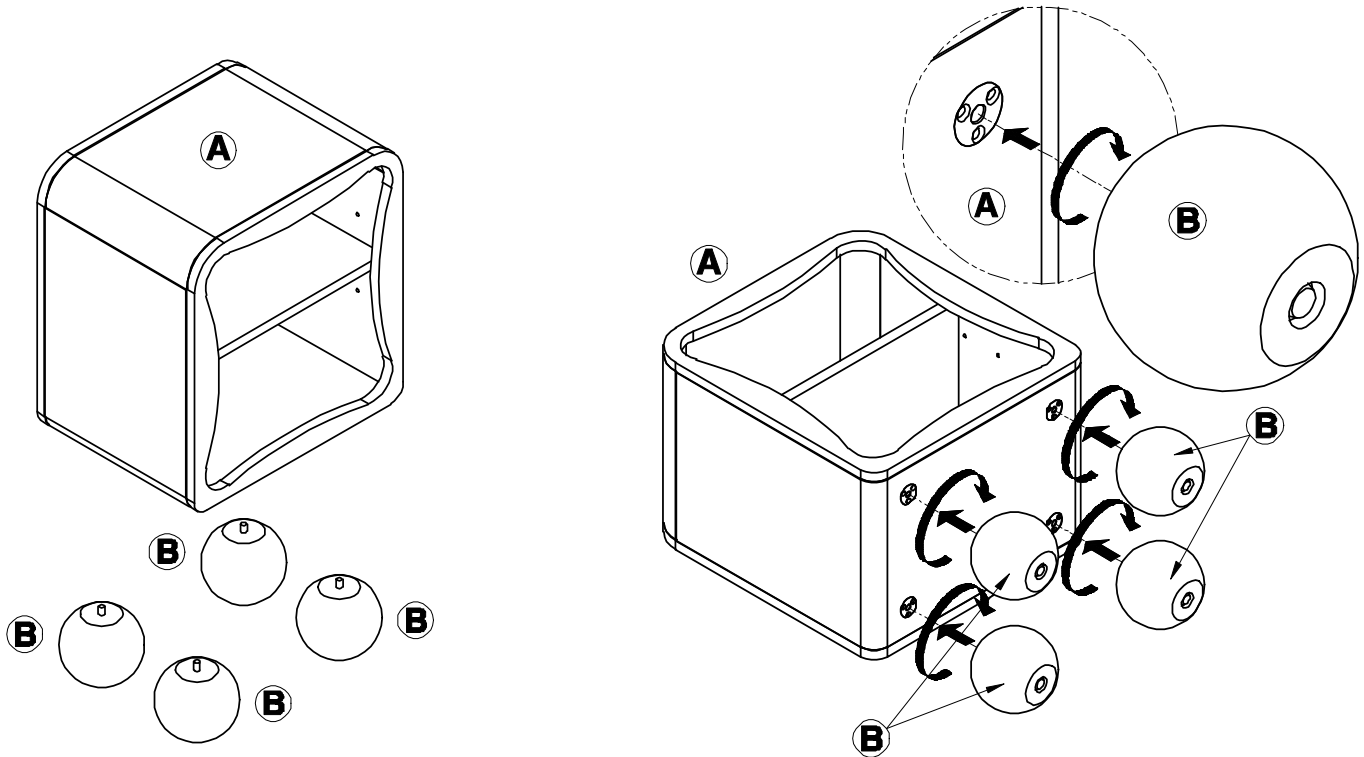
Jamie Nightstand

Assembly Instructions

URBAN OUTFITTERS

STEP 1

With help, lay the parts out onto a clean smooth surface such as carpet or cardboard. Screw the legs (B) into the nightstand (A) clockwise until tight.



STEP 2

Turn the adjustable feet so the nightstand sits flat on the ground.

