

MASON CANE STORAGE CABINET

Assembly Instructions

URBAN OUTFITTERS

TOOLS REQUIRED BUT NOT INCLUDED:

PHILLIPS HEAD SCREW DRIVER

Do not throw away packing materials and carton until after assembly.

Assemble all parts on a clean smooth surface

CARE INSTRUCTIONS:

Avoid direct exposure to sunlight. Do not place over heat or Air conditioning vents.

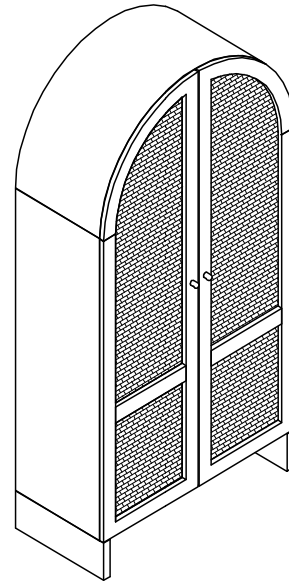
Adjust levelers so that the furniture sits flat on uneven floors.

Blot spills do not rub, with a clean white cloth.

Do not use harsh chemicals.

Before cleaning any part test a small spot in a hidden area.

You may need to re-tighten all bolts after initial use.



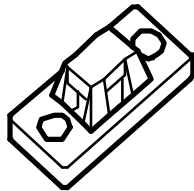
TIP KIT

A



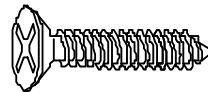
Nylon strip
Quantity: 1pc

B



Bracket
Quantity: 2pcs

C



Screw
M3 x 32mm
Quantity: 2pcs

D



Screw
M3 x 19mm
Quantity: 2pcs

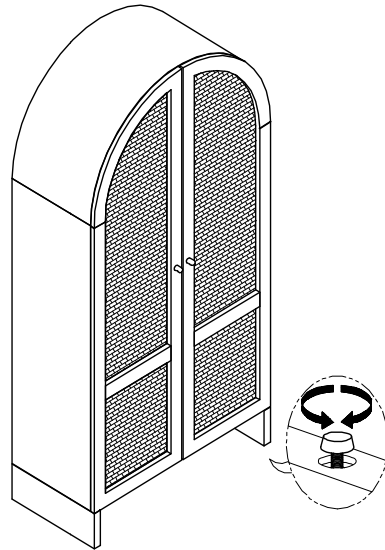
MASON CANE STORAGE CABINET

Assembly Instructions

URBAN OUTFITTERS

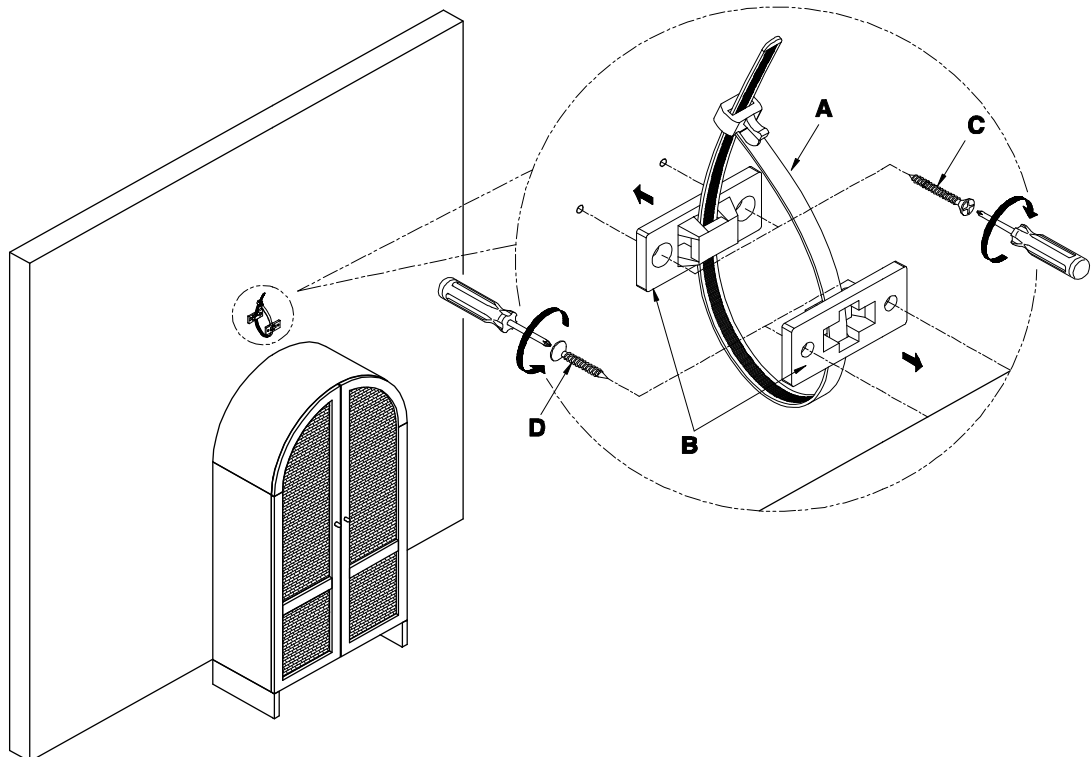
STEP 1

Turn the adjustable feet so the cabinet sits flat on the ground.



STEP 2

Align the Anti Tip Brackets (B) to the Top back of the Case. Insert Screws (C) and tighten completely. Do not over-tighten.



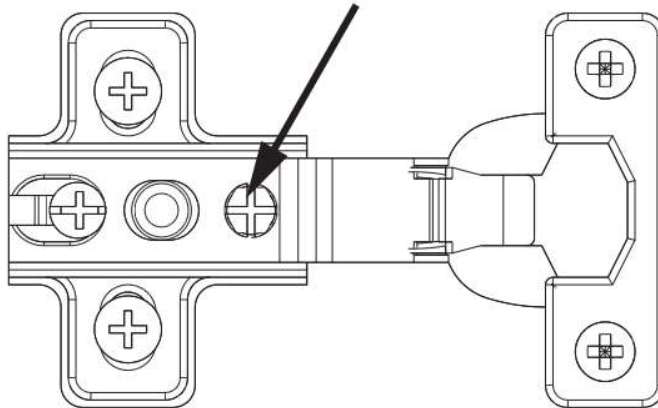
STEP 3

Contact your local hardware store to purchase the correct anchors for your wall-type. Align the brackets to the wall and make sure they line up with the brackets on the back of the case from step 1. Screw the brackets to the wall using the correct anchors. Slide the case to the wall. Leaving a little bit of room between the case and the wall. Feed the Nylon Strap through both brackets and pull tight.

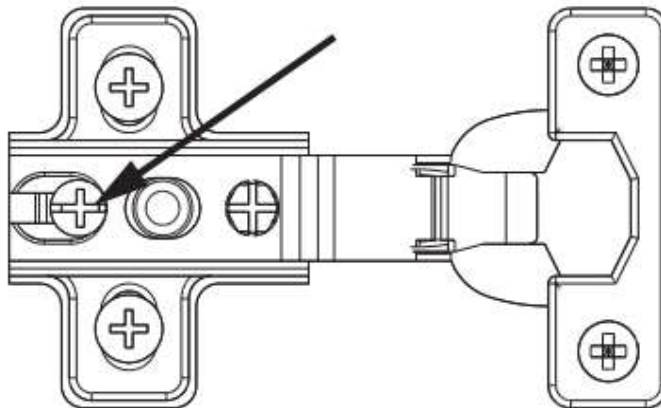
STEP 4

Doors adjustment (Hinges)

- Left & Right: Loosen / Tighten screw to adjust.



- Depth (Front to Back): Loosen screw to adjust.



- Up & Down: Loosen screw to adjust.

