

JULIETTE COFFEE TABLE

URBAN OUTFITTERS

Assembly Instructions

TOOLS REQUIRED BUT NOT INCLUDED:
N/A

WARNINGS:

Do not throw away packing materials and carton until after assembly. Assemble all parts on a clean smooth surface

CARE INSTRUCTIONS:

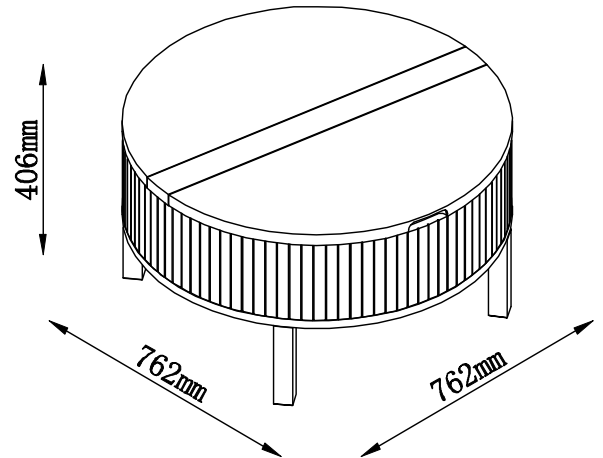
Avoid direct exposure to sunlight. Do not place overheat or air conditioning vents. Adjust levelers so that the furniture sits flat on uneven floors.

Blot spills do not rub, with a clean white cloth

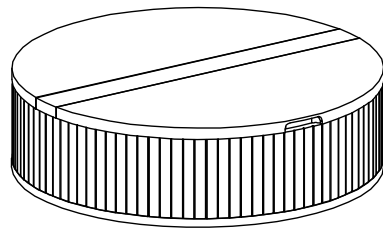
Do not use harsh chemicals.

Before cleaning any part test a small spot in a hidden area.

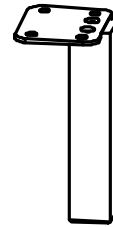
You may need to re-tighten all bolts after initial use.



PARTS INCLUDED

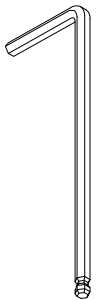


(A) Table top
x1

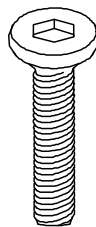


(B) Leg
x4

HARDWARE LIST



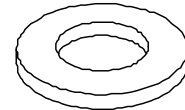
(C) Hex key
x1



(D) Bolt
[1/4" x 3/4"] x16



(E) Spring washer
[1/4"] x16



(F) Flat washer
[1/4"] x16

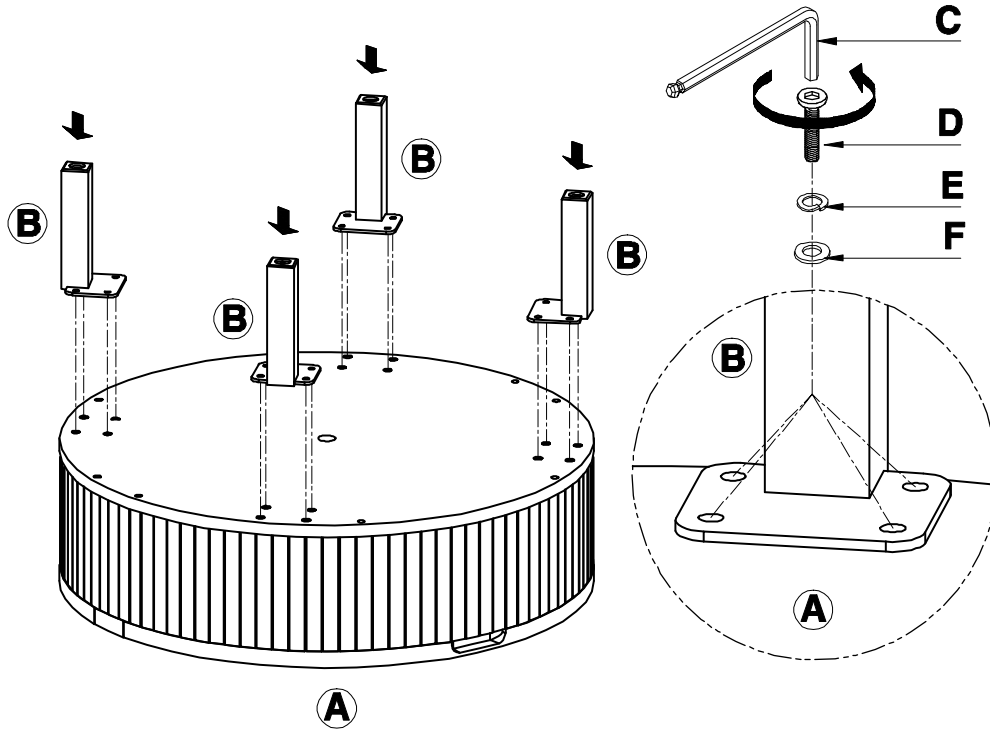
JULIETTE COFFEE TABLE

URBAN OUTFITTERS

Assembly Instructions

STEP 1

With help lay the Parts out onto a clean smooth surface such as carpet or cardboard. Align the Table Top (A) and Legs (B) as shown below. Insert Flat Washer (F), Spring Washer (E) and bolt (D). Tighten with supplied Hex Key (C). Do not over tighten.



STEP 2

With help stand the Table upright making sure you do not lean it on its side. This can cause damage to the Legs. Turn the adjustable feet so the Table sits flat on the ground.

