

Cam Laquer Nightstand

URBAN OUTFITTERS

Assembly Instructions

TOOLS REQUIRED BUT NOT INCLUDED:

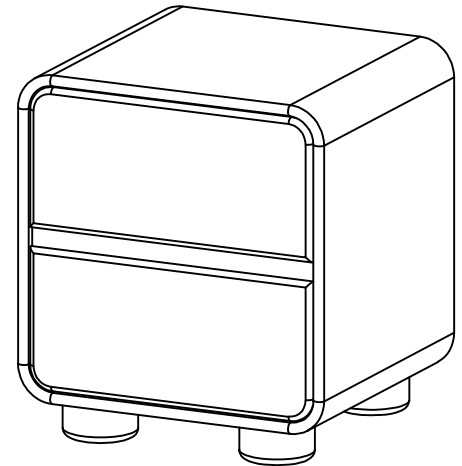
Drill, Phillips head screwdriver, Hammer, Level, Pencil

WARNINGS:

Do not throw away packing materials and carton until after assembly.
Ensure all parts are present prior to assembly.
Contact customer service immediately if parts are missing.
Assemble all parts on a clean smooth surface.

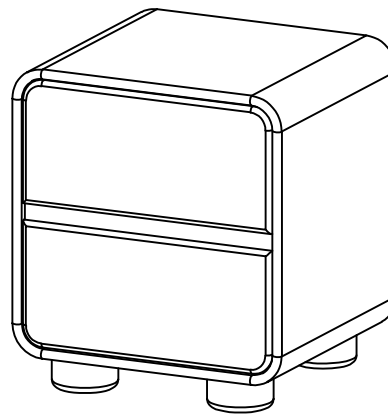
CARE INSTRUCTIONS:

Avoid direct exposure to sunlight.
Do not place over heat or air conditioning vents.
Adjust levelers so that the furniture sits flat on uneven floors.
Blot spills with a clean white cloth, do not rub.
Do not use harsh chemicals.
Before cleaning any part test a small spot in a hidden area.
You may need to re-tighten all bolts after initial use.



17 3/4"W x 15 3/4"D x 19 3/4"H

PARTS INCLUDED:



(A) Nightstand x1



(B) Screw
[04 x 30mm] x2



(C) Plastic anchor
[06 x 30mm] x2



(D) Mounting bracket x1



(E) Plastic strap x1

Cam Laquer Nightstand

URBAN OUTFITTERS

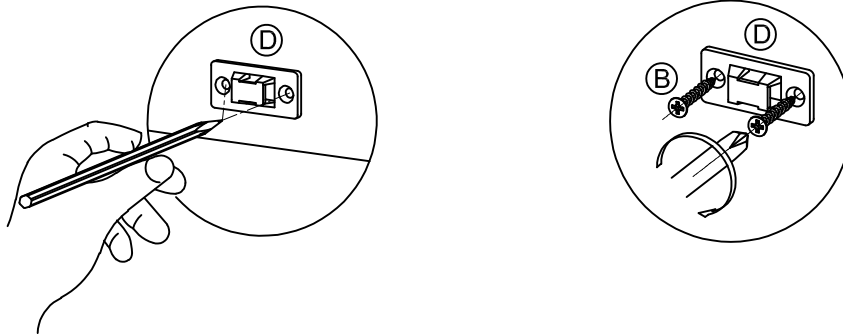
Assembly Instructions

STEP 1

Place the nightstand against the wall in a preferred location. Mark location for mounting bracket (D) on wall.

Wood or Stud Installation:

Insert screws (B) through the mounting bracket (D) into the wall and tighten with a phillips head screwdriver or drill.



Drywall Installation:

Move the nightstand away from the wall. Attach the drywall anchor (C) to the wall at the marked location using a drill and hammer. Insert screws (B) through the mounting bracket (D) into the wall and tighten with a phillips head screwdriver or drill. Move the nightstand into position, align the mounting brackets and lace the restraint strap (E) through the large hole in each mounting bracket.

The included hardware is intended for attachment to drywall or wooden studs, contact your local hardware store to find the correct anchor for alternative wall-types such as stone or brick.

