

# CAT HEADBOARD

## Assembly Instructions

**URBAN OUTFITTERS**

### TOOLS REQUIRED BUT NOT INCLUDED:

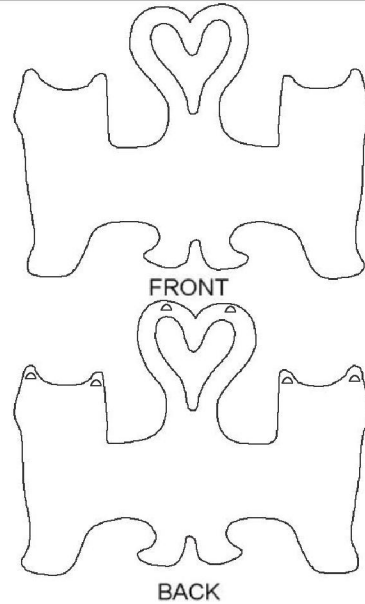
Phillips head screwdriver, Hammer, Pencil, Level, Measuring tape

### WARNINGS:

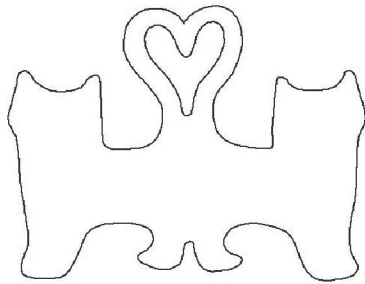
Do not throw away packing materials and carton until after assembly.  
Ensure all parts are present prior to assembly.  
Contact customer service immediately if parts are missing.  
Assemble all parts on a clean smooth surface.

### CARE INSTRUCTIONS:

Avoid direct exposure to sunlight.  
Do not place over heat or air conditioning vents.  
Adjust levelers so that the furniture sits flat on uneven floors.  
Blot spills with a clean white cloth, do not rub.  
Do not use harsh chemicals.  
Before cleaning any part test a small spot in a hidden area.  
You may need to re-tighten all bolts after initial use.



### PARTS INCLUDED:



(A) Headboard (1 pcs.)



(B) Plastic Anchor (6 pcs.)



(C) Screw (6 pcs.)

# CAT HEADBOARD

## Assembly Instructions

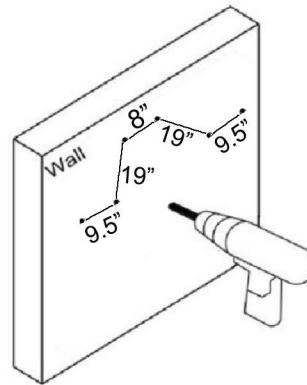
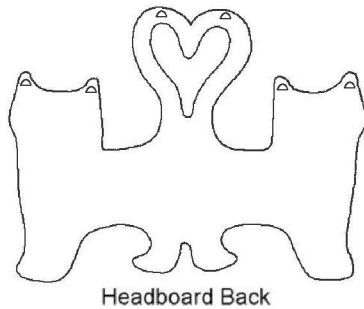
URBAN OUTFITTERS

### STEP 1

Place the Headboard (A) on the wall in its desired location. Ensure the Headboard (A) is level and mark the location for the screw holes using the dimensions in the below diagram as reference.

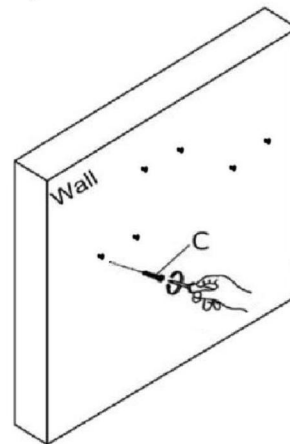
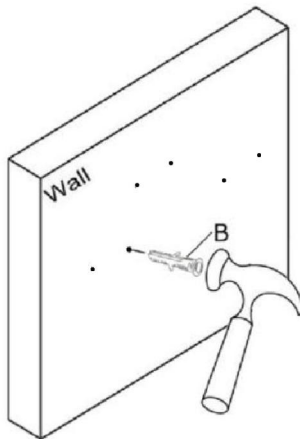
#### Wood or Stud installation:

Use a Phillips head screwdriver to fasten the screws (C) directly into the wall at the marked locations between the top of the screws (C) and the wall.



#### Drywall installation:

Insert anchors (B) into the wall at the marked locations using a drill and a hammer (not included). Insert screws (C) into the anchors, then tighten with a Phillips head screwdriver (not included).



**The included hardware is intended for attachment to drywall or wooden wall surfaces, contact your local hardware store to find the correct anchor for alternative wall-types such as stone or brick.**

### STEP 2

#### Hang the Headboard:

Use the D-rings on the back of the headboard to hang the headboard on the screws in the wall.

### STEP 3

#### Final Adjustments:

Double-check the alignment using a level.

Gently press on the headboard to ensure it is stable.