

CONGRUENT MEDIA CONSOLE

URBAN OUTFITTERS

Assembly Instructions

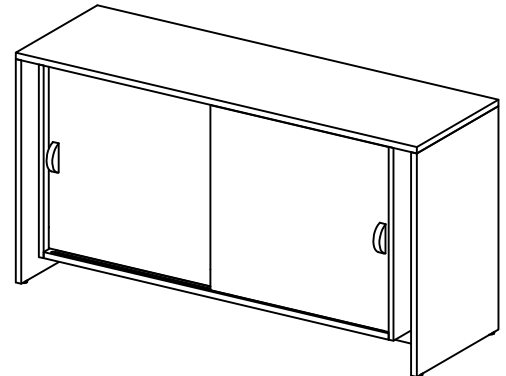
TOOLS REQUIRED BUT NOT INCLUDED:

Phillips Head Screw Driver

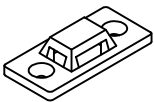
Do not throw away packing materials and carton until after assembly.
Assemble all parts on a clean smooth surface

CARE INSTRUCTIONS:

Avoid direct exposure to sunlight. Do not place over heat or Air conditioning vents.
Adjust levelers so that the furniture sits flat on uneven floors.
Blot spills do not rub, with a clean white cloth.
Do not use harsh chemicals.
Before cleaning any part test a small spot in a hidden area.
You may need to re-tighten all bolts after initial use.



TIP KIT



(1) Bracket
Quantity: 4pcs



(2) Nylon strip
Quantity: 2pcs



(3) Screw
M4 x 20mm
Quantity: 4pcs



(4) Screw
M4 x 40mm
Quantity: 4pcs



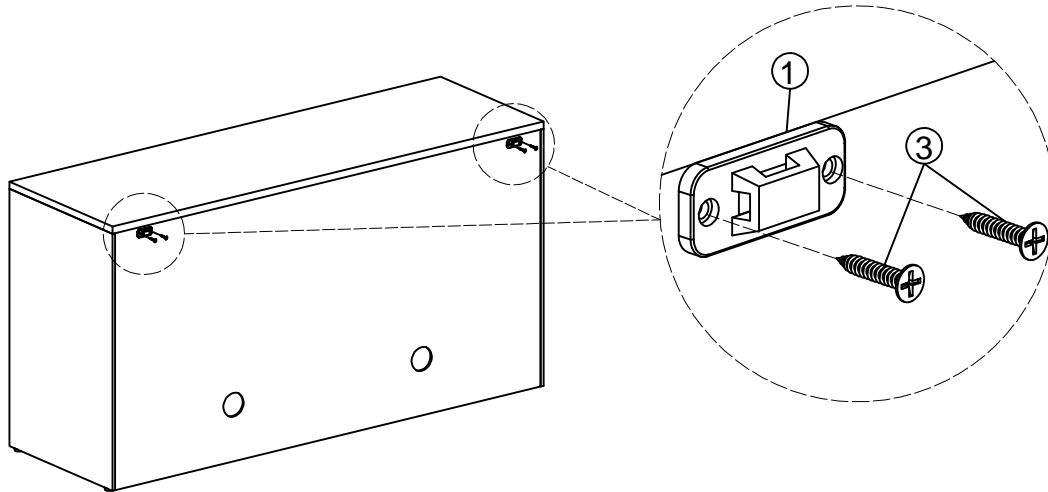
(5) Wall plug
4 x L40
Quantity: 4pcs

CONGRUENT MEDIA CONSOLE

URBAN OUTFITTERS

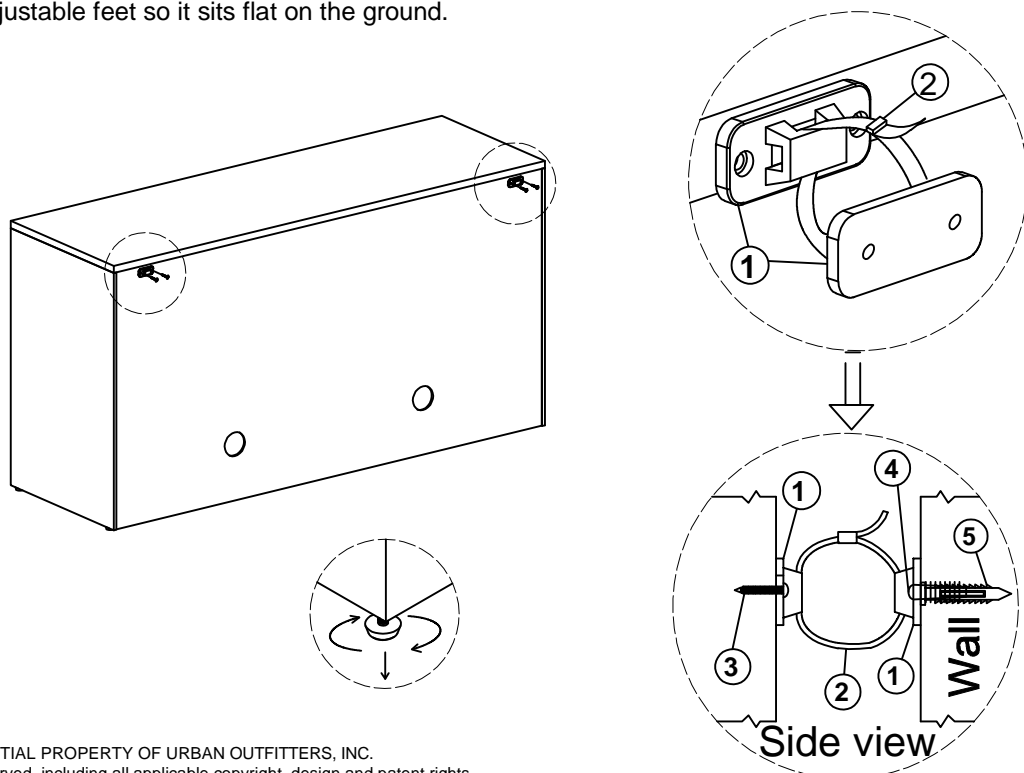
Assembly Instructions

STEP 1 Align the anti tip brackets (1) to the top back of the case. Insert Screws (3) and tighten completely. Do not overtighten.



STEP 2

Contact your local hardware store to purchase the correct anchors for your wall-type.
Align the brackets to the wall and make sure they line up with the brackets on the back of the case from step 1.
Screw the brackets to the wall using the correct anchors.
Slide the case to the wall. Leaving a little bit of room between the case and the wall.
Feed the Nylon Strap through both brackets and pull tight.
Turn the adjustable feet so it sits flat on the ground.



CONGRUENT MEDIA CONSOLE

URBAN OUTFITTERS

Assembly Instructions

FINISH

