

Chuck Media Storage

URBAN OUTFITTERS

Assembly Instructions

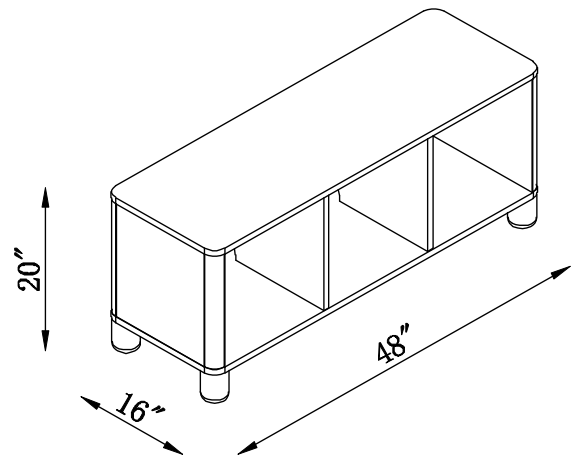
NO ADDITIONAL TOOLS REQUIRED

WARNINGS:

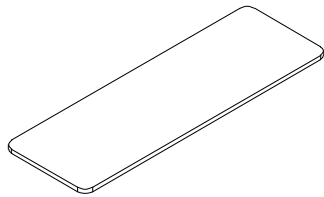
Do not throw away packing materials and carton until after assembly.
Ensure all parts are present prior to assembly.
Contact customer service immediately if parts are missing.
Assemble all parts on a clean smooth surface.

CARE INSTRUCTIONS:

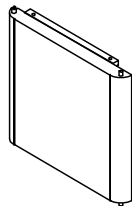
Avoid direct exposure to sunlight.
Do not place over heat or air conditioning vents.
Adjust levelers so that the furniture sits flat on uneven floors.
Blot spills with a clean white cloth, do not rub.
Do not use harsh chemicals.
Before cleaning any part test a small spot in a hidden area.
You may need to re-tighten all bolts after initial use.



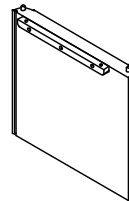
PARTS INCLUDED:



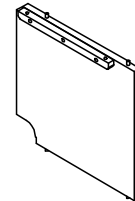
(A) Top panel
x1



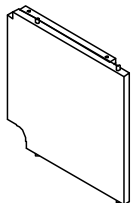
(B) Side panel
x1



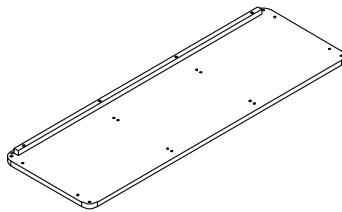
(C) Side panel
x1



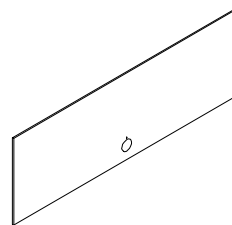
(D) Middle panel
x1



(E) Middle panel
x1



(F) Bottom panel
x1



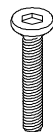
(G) Back panel
x1



(H) Leg
x4



(I) Hex key
x1



(F) Bolt
[1/4" x 1"] x16



(K) Spring washer
[1/4"] x16



(L) Flat washer
[1/4"] x16

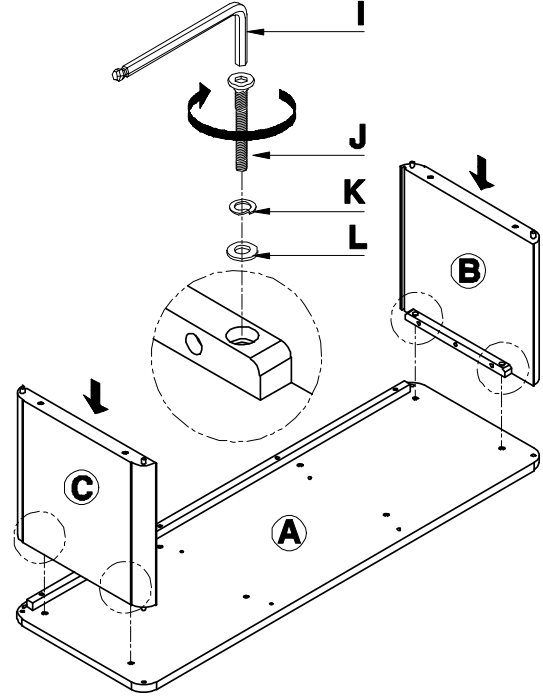
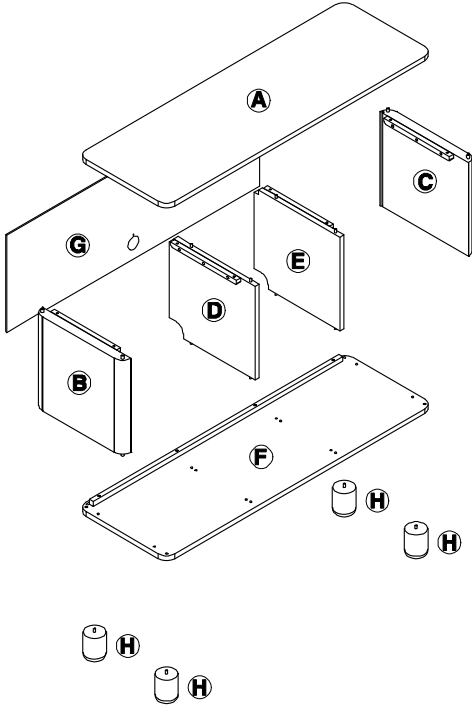
Chuck Media Storage

Assembly Instructions

URBAN OUTFITTERS

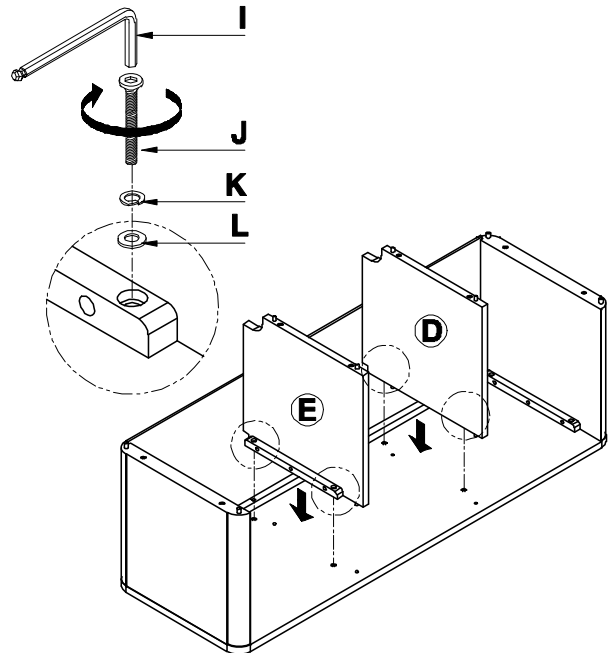
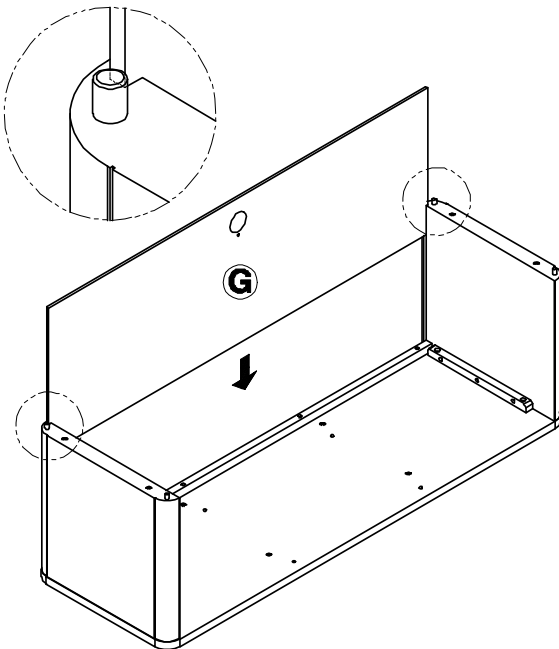
STEP 1

With help, lay the parts out onto a clean smooth surface such as carpet or cardboard. Align the side panels (B&C) to top panel (A) and press firmly into place as shown. Insert the flat washer (L), spring washer (K) and bolt (J). Tighten with supplied hex key (I). Do not over-tighten.



STEP 2

Slide the back panel (G) into the side panels (B&C) as shown below. Align the middle panels (D&E) to the top panel and press firmly together. Insert the flat washer (L), spring washer (K) and bolt (J). Tighten with supplied hex key (I). Do not over-tighten.



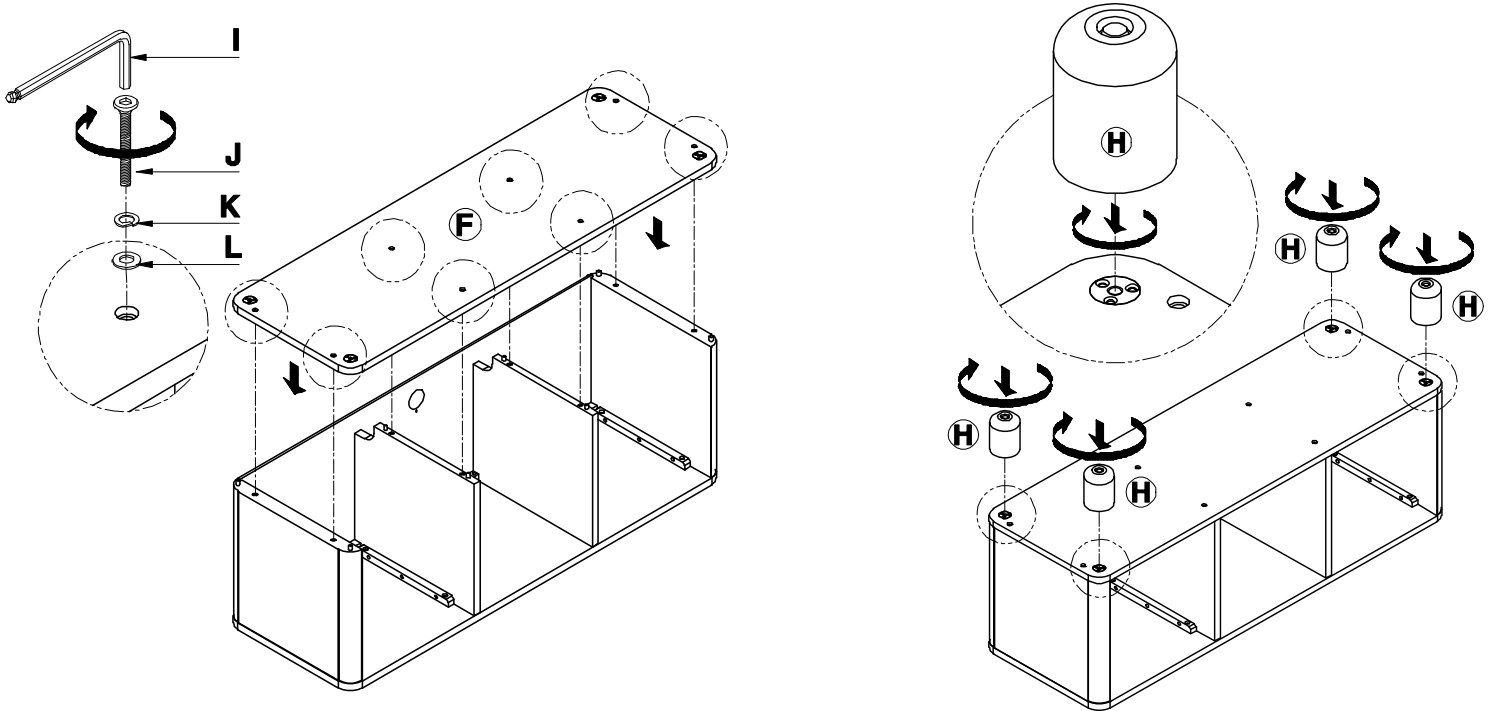
Chuck Media Storage

Assembly Instructions

URBAN OUTFITTERS

STEP 3

Place the bottom panel (F) on top of the partially assembled case as shown. Insert the flat washer (L), spring washer (K) and bolt (J). Tighten with supplied hex key (I). Screw the legs (H) into the cabinet clockwise until tight. With help stand the media upright making sure you do not lean it on its legs.



STEP 4

Adjust the levelers as shown below to accommodate uneven floors.

