

Emory Small Arylic Shelf

Assembly Instructions

URBAN OUTFITTERS

TOOLS REQUIRED BUT NOT INCLUDED:

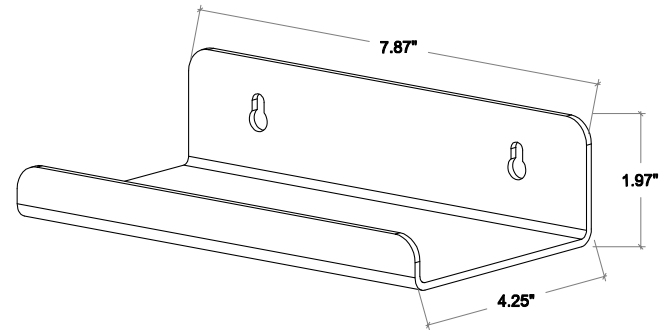
Pencil, Phillips head screw driver

WARNINGS:

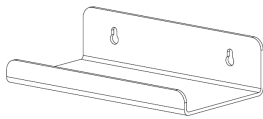
Do not throw away packing materials and carton until after assembly.
Ensure all parts are present prior to assembly.
Contact customer service immediately if parts are missing.
Assemble all parts on a clean smooth surface.

CARE INSTRUCTIONS:

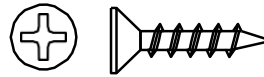
Avoid direct exposure to sunlight.
Do not place over heat or Air conditioning vents.
Blot spills do not rub, with a clean white cloth.
Do not use harsh chemicals.
Before cleaning any part test a small spot in a hidden area.
You may need to re-tighten all bolts after initial use.



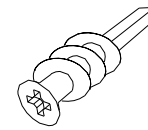
PARTS INCLUDED



A) Shelf x1



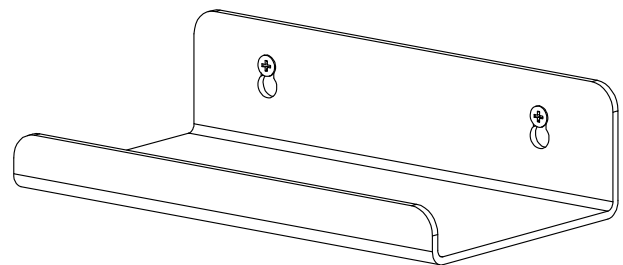
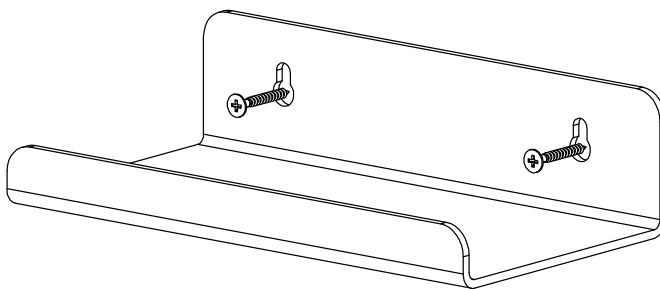
B) Screw
[M4x35mm] x2



C) Anchor x2

STEP 1

Place the shelf (A) against the wall in the desired position and check for level. Mark the position through the holes in the back of the shelf (A) and remove the shelf (A) from the wall. If attaching to drywall, screw anchors (C) into the wall at the marked locations using a Phillips head screw driver. Insert screws (B) into the anchors and partially tighten using a Phillips head screw driver. Leave enough space between the wall and the screws (B) to accommodate the shelf (A). Hang the shelf (A) on the screws as shown and tighten fully, do not over-tighten. If attaching to studs, you do not need to use the anchors (C).



EXCLUSIVE AND CONFIDENTIAL PROPERTY OF URBAN OUTFITTERS, INC.

© 2017 UO, Inc. All rights reserved, including all applicable copyright, design and patent rights. Any unauthorized reproduction, adaptation, distribution or other infringement will be