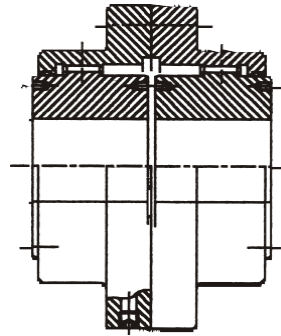


Tyyppi SKS



With Double housing
The couplings are available
with bore limitations upto 540
mm and torque ratings upto
110000 da Nm

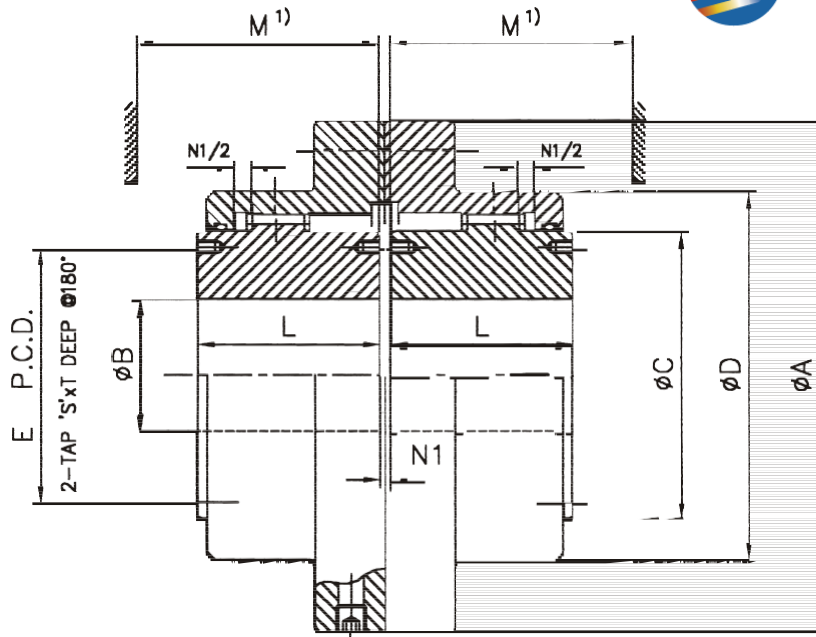


Notes:

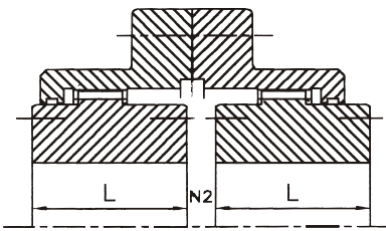
Hammaskytkimet tyyppi SKS



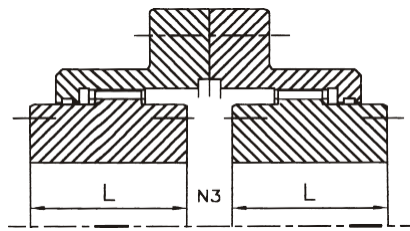
SKSMEKANIikka



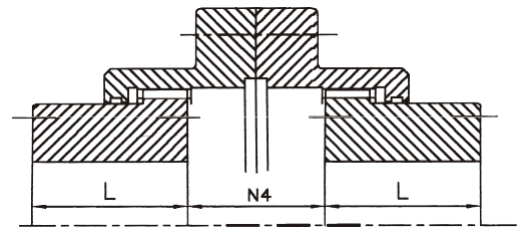
Design 1



Design 2



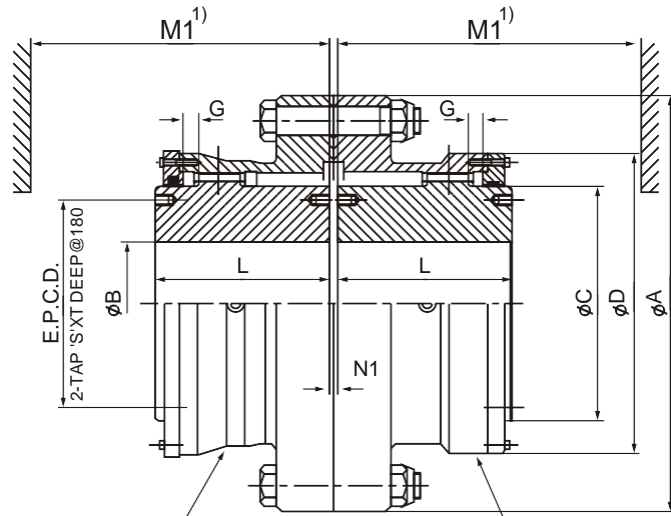
Design 3



Design 4

SIZE TKN CONTIN.	Tk max shock	PKN n cont i.	DIAMETER						LENGTH						TAPPING		MISALIGNMENT		WEIG HT	MO- MENT S OF INERTI A	MAXI- MUM ADM. SPEE D
			A	B			C	D	L	M1	N1	N2	N3	N4	E	SxT	α	f			
				PILO T	MIN.	Maxi															
daNm	daNm	kW/rpm	mm						mm						mm		Degree	mm	kg	J (kgm ²)	1/min
SKS130	260	0.136	111	10	15	45	67	80	43	74	3	12	21	43	—	—	2x0.75	0.35	4	0.005	7000
SKS280	560	0.293	141	15	20	60	87	103.5	50	84	3	9	15	45	—	—	2x0.75	0.4	7	0.015	6200
SKS500	1000	0.524	171	25	30	75	106	129.5	62	105	3	17	31	63	—	—	2x0.75	0.5	14	0.039	5650
SKS1000	2000	1.047	210	30	35	95	130	156	76	123	5	17	29	74	—	—	2x0.75	0.6	25	0.101	5100
SKS1600	3200	1.675	234	35	40	110	151	181	90	148	5	19	33	86	130	M8x12	2x0.75	0.7	37	0.188	4700
SKS2200	4400	2.304	274	50	55	130	178	209	105	172	6	23	40	103	155	M8x12	2x0.75	0.9	60	0.431	4350
SKS3200	6400	3.351	312	60	65	155	213	247	120	193	6	24	42	116	185	M10x15	2x0.75	1.0	90	0.845	4000
SKS4500	9000	4.712	337	75	80	175	235	273	135	215	8	29	50	130	205	M12x18	2x0.75	1.1	118	1.322	3800
SKS6200	12400	6.492	380	85	90	195	263	307	150	241	8	32	56	144	226	M16x24	2x0.75	1.2	169	2.450	3600
SKS8400	16800	8.796	405	95	100	215	286	338	175	279	8	39	70	170	250	M16x24	2x0.75	1.4	224	3.720	3450
SKS11500	23000	12.042	444	115	120	240	316	368	190	304	8	46	84	188	276	M16x24	2x0.75	1.5	277	5.390	3300
SKS17400	34800	18.221	506	145	150	275	372	426	220	339	10	42	74	204	330	M20x30	2x0.75	1.7	414	10.88	3050

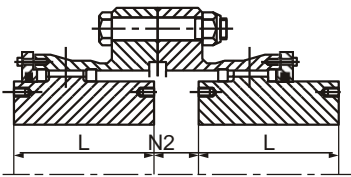
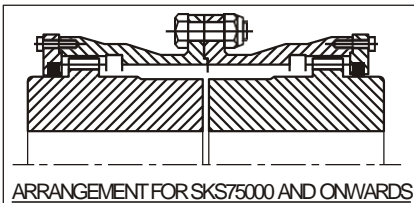
Hammaskytkimet tyyppi SKS (SUPER)



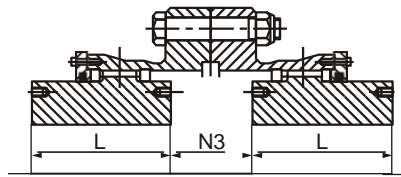
SHAPE FOR SIZE
25200, 37000 & 45000

Design 1

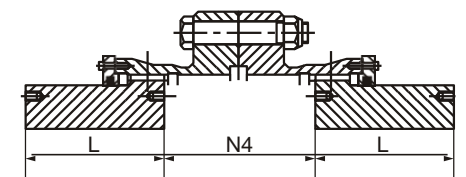
SHAPE FOR SIZE
29000 & 56000



Design 2



Design 3



Design 4

SIZE TKN CONTIN.	Tk max shoc k	Pkn n cont i.	DIAMETER						LENGTH							TAPPING		MISALIGNMENT		WEIGHT	MOMEN TS OF INERTIA	MAXIMU M ADM. SPEED
			A	B			C	D	L	G	M1	N1	N2	N3	N4	E	SxT	α	±			
				PILO T	MIN.	Maxi.																
daNm	daNm	KW/rpm	mm						mm							mm	Degree	mm	kg	J (kgm ²)	1/min	
SKS25200	50400	26.39	632	155	160	310	422	550	280	10	335	15	119	223	346	360	M20x30	2x0.75	1.8	670	26.75	1830
SKS29000	58000	30.366	640	195	200	320	432	518	292	6.5	324	13	33	53	255	380	M20x30	2x0.75	2.1	760	31	1800
SKS37000	74000	38.746	715	205	210	355	472	616	310	12	370	20	133	246	383	410	M24x40	2x0.75	2.2	930	48	1460
SKS45000	90000	47.123	750	225	230	370	502	648	330	11.5	395	20	144	268	408	435	M24x40	2x0.75	2.2	1110	65.8	1395
SKS56000	112000	58.639	804	275	280	450	594	682	350	6.5	379	13	61	109	335	544	M24x40	2x0.75	2.7	1532	105	1300
SKS75000	150000	78.539	910	285	290	480	620	812	410	10.5	485	25	121	217	*	550	M36x55	2x0.75	3.0	2180	198	1000
SKS90000	180000	94.247	980	315	320	515	670	860	430	15.5	510	25	102	179	*	585	M36x55	2x0.75	3.0	2520	265	940
SKS110000	220000	115.19	1020	325	330	540	700	908	450	16	530	25	97	169		615	M36x55	2x0.75	4.0	2910	333	900