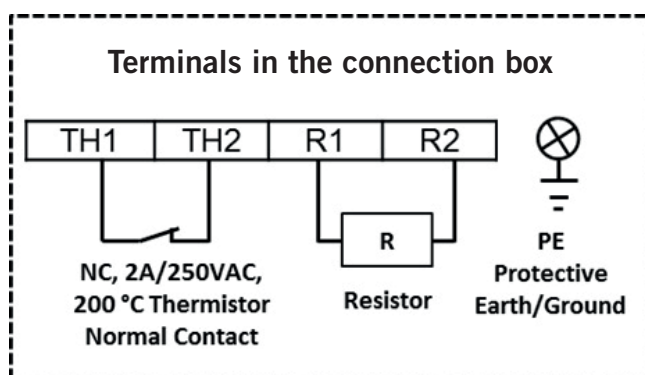
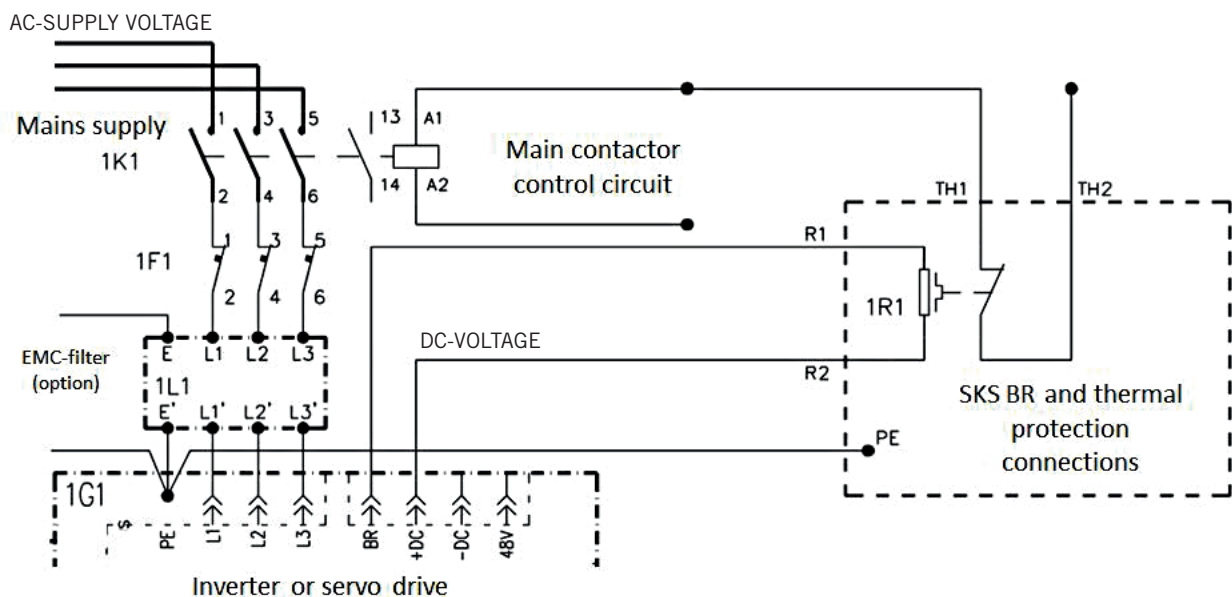


SKS BR Brake Resistor Installation

Over heat protection and PE/grounding connections:

The temperature sensor (TH1/TH2) of braking resistor must be connected so, that in case of resistor over heat, the AC-supply voltage of drive or DC-voltage to braking resistor is switched off. Obey drive manufacturer instructions for braking resistor cabling. Connect PE/grounding to grounding point inside the connection box .

Example drawing of switching off the mains supply of the drive:



NOTE!

CHECK RESISTANCE VALUE AND THERMISTOR CONTACT BEFORE USE.

WHEN MAINS SUPPLY IS ON, THERE MAY BE VOLTAGE ON THE RESISTOR (+DC/500- 600VDC) EVEN IF THERE IS NO CURRENT FLOWING THROUGH IT.

RESISTOR CAN GET VERY HOT. DO NOT TOUCH IT DURING OPERATION.

DO NOT INSTALL OR USE IN ENVIRONMENT WITH FLAMMABLE MATERIALS OR SUBSTANCES.