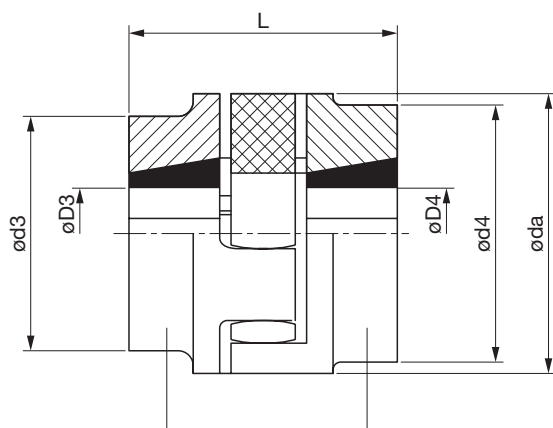
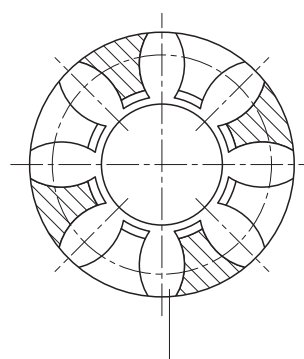


SKS-SAKARAKYTKIMET KARTIOHOLKEILLE



Ohut napa (T3) Paksu napa (T4)



Joustoelementti

Koko	Ohut napa (T3)					Paksu napa (T4)						
	min. mm	D ₃ maks. mm	Kartioholkki nro	d ₃ mm	l ₃ mm	min. mm	D ₄ maks. mm	Kartioholkki nro	d ₄ mm	l ₄ mm	øda mm	L mm
24	10	22	1008	55	22	10	22	1008	55	22	55	78
28	10	25	1108	65	22	10	25	1108	65	22	65	90
38	10	25	1108	78	22	10	25	1108	78	22	80	114
42	14	40	1610	94	25	14	40	1610	94	25	95	126
48	14	40	1615	104	38	14	40	1615	104	38	105	140
55	14	50	2012	118	32	14	50	2012	118	32	120	160
65	14	50	2012	126	32	16	60	2517	134	45	135	185
75	16	60	2517	134	45	25	75	3020	158	51	160	210
90	25	75	3020	160	51	35	90	3535	180	89	200	245

Kartioholkki nro Poraus D Ø mm

1008 9, 10, 11, 12, 14, 15, 16, 18, 19, 20, 22

1108 9, 10, 11, 12, 14, 15, 16, 18, 19, 20, 22, 24, 25

1610 12, 14, 15, 16, 18, 19, 20, 22, 24, 25, 28, 30, 32, 35, 38

1615 12, 14, 15, 16, 18, 19, 20, 22, 24, 25, 28, 30, 32, 35, 38

2012 14, 15, 16, 18, 19, 20, 22, 24, 25, 28, 30, 32, 35, 38, 40, 42, 45, 48, 50

2517 19, 20, 22, 24, 25, 28, 30, 32, 35, 38, 40, 42, 45, 48, 50, 55, 60, 65

3020 25, 28, 30, 32, 35, 38, 40, 42, 45, 48, 50, 55, 60, 65, 70, 75

3535 40, 42, 45, 48, 50, 55, 60, 65, 70, 75, 80, 85, 90

Näiden SKS-sakarakytkimien navat ja joustoelementit ovat vaihtokelpoisia muiden, vastaavankokoisten SKS-sakarakytkimien kanssa (esim. napa T4 38) !