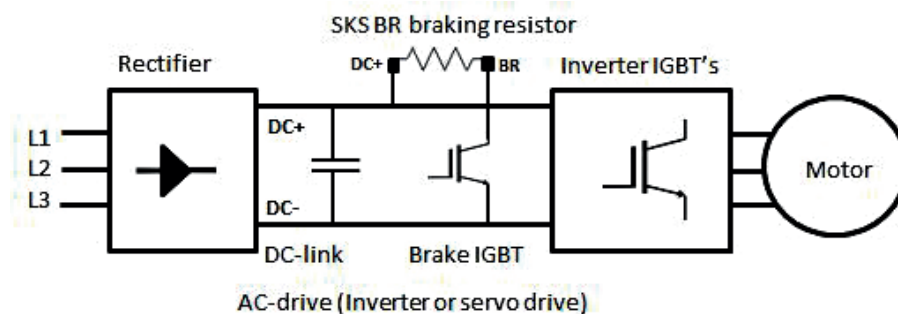


# SKS BR Brake Resistor

SKS BR braking resistors are made of strong aluminium profile with IP54 class ingress protection. The resistor is equipped with a temperature sensor (200 °C) for overheat protection. On the connection box are two metal cable glands. Inside the box are terminals for thermistor and resistor connections.



SKS BR is a power resistor for installation outside (externally) of inverter or servo drive. It will convert the braking energy of the motor into heat. Braking resistor power rating must be sufficient to avoid resistor overheating and its resistance ( $\Omega$ ) value must be according to drive manufacturer values.



## Technical data

Type	Power Pn/W @40 °C	Max. surface temp. °C	Pulse load in				Resistance range R/ $\Omega$ $\pm$ 5 %
			1 s/120 s kW@40 °C	5 s/120 s kW@40 °C	10 s/120 s kW@40 °C	40 s/120 s kW@40 °C	
SKS BR 0300	300	300	9	3	1,5	1,5	1 - 10 000
SKS BR 0500	500	300	15	5	2,5	2,5	1 - 10 000
SKS BR 1000	1000	380	30	10	5	3	5 - 10 000
SKS BR 1500	1500	380	45	15	7,5	4,5	5 - 10 000
SKS BR 1800	1800	450	54	18	9	5,4	5 - 10 000

## General Specification

Temperature coefficient	< $\pm$ 100 ppm	Ambient temp.	- 40...+ 90 °C
Dielectric strength	3000 V AC/5 s	Temperature derating	Linearly: 40 °C = Pn to 70 °C = 0,5 Pn
Operating voltage	CE <690 VAC, 1000 VDC	Thermal protection contact	200 °C, NC, 2 A/250 V
Insulation resistance	>100 M $\Omega$ , 1000 VDC	Time constant	1000 s
Overload	10xPn/5 s, 30xPn/1 s	Approvals	CE

### SKS Control Oy

#### Head Office

Martinkyläntie 50  
FI-01721 Vantaa  
tel. +358 20 764 61  
fax: +358 20 764 6823

#### West Finland

Postikatu 2  
FI-20250 Turku  
tel. +358 20 764 7600  
fax: +35820 764 7649

#### Middle Finland

Tammelan Puistokatu 21 A  
FI-33500 Tampere  
tel. +358 20 764 7500  
fax: +358 20 764 7501

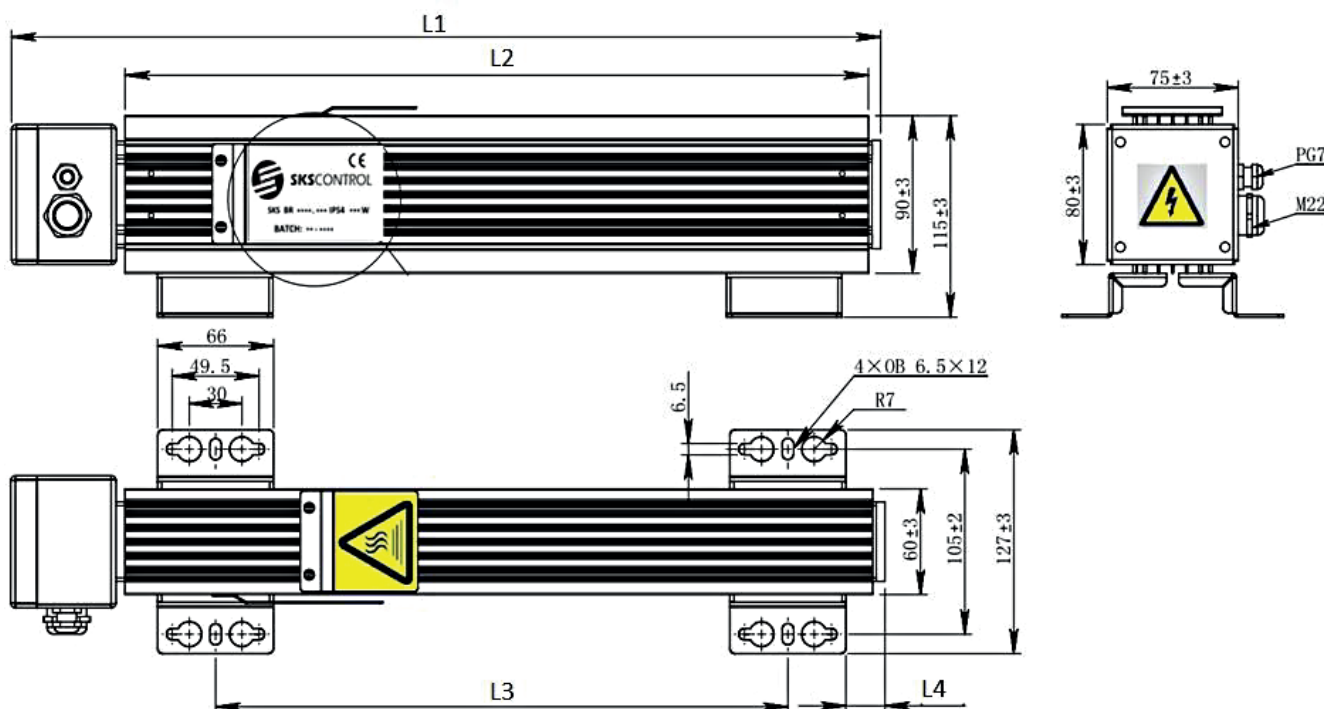
#### Warehouse

Martinkyläntie 50  
FI-01721 Vantaa  
tel. +358 20 764 61  
fax: +358 20 764 6825

## Order code example:

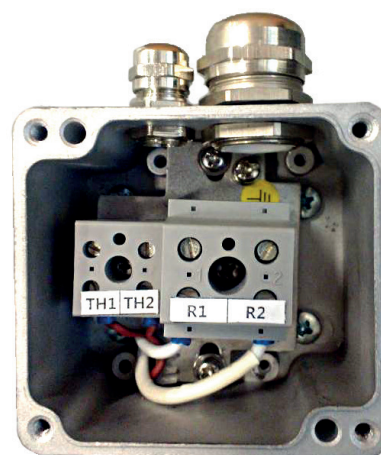
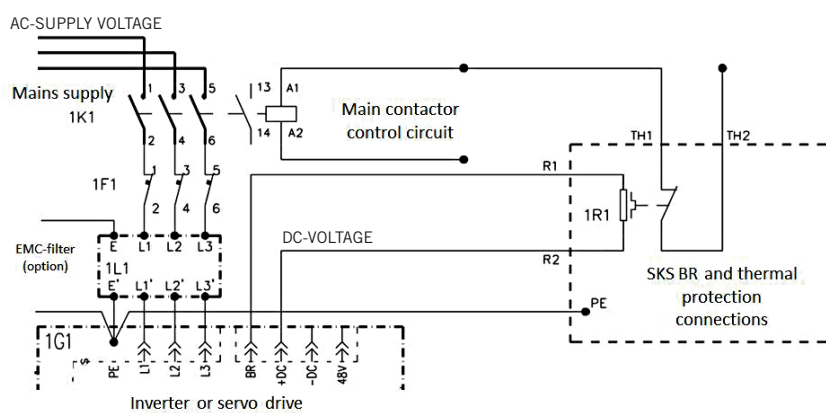
SKS BR 0500.020 IP54 500W BRAKING RESISTOR  
 - Power 500 W, resistance 20 ohm, ingress protection IP54

Dimensions (mm)				
Type	L1	L2	L3	L4
SKS BR 0300 and 0500	366 ±4	295	195 ±3	24
SKS BR 1000	498 ±4	426	326 ±3	22
SKS BR 1500 and 1800	798 ±4	726	626 ±3	22



## Overheat protection and PE/ground connection:

The temperature sensor (TH1/TH2) must be connected in such a way, that in case of resistor overheat, the supply voltage of drive, or DC voltage over resistor, is switched off. Obey drive manufacturer instructions for braking resistor cabling. Connect PE/grounding to grounding point inside the connection box.



SKS CONTROL BRAKE RESISTOR 260115