



PAULSTRADYN®

Natural frequency : (1)
 - axial : 7Hz
 - radial : 3 to 5,5 Hz

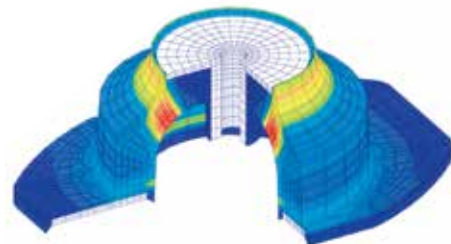
AVANTAGES

- Better than 90% isolation at 1.500 rpm (25 Hz).
- Constant height over wide load range.
- Stabilised characteristics during Service Life.
- Simple to fit.
- 500 hours protection against salt spray*.
- Design.

*When mounted according to the recommendations given in the catalogue.

Resilient Element = SILTECH

- Low increase of stiffness with frequency
- Low creep



Finite element modeling (FEM) was used when designing the Paulstradyn® series resulting in the lowest possible elastomer stresses and most efficient performance for a high deflection mount of this type.

APPLICATIONS

Antivibration isolation for static equipment :

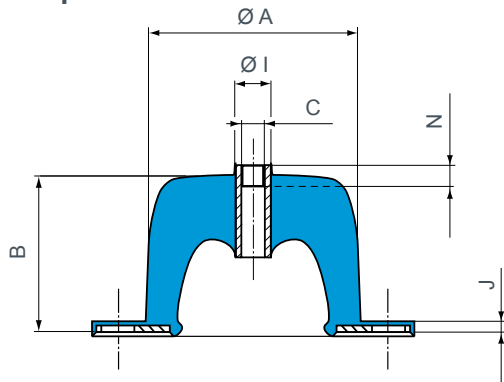
- rotating machinery such as fans, air-conditioning, pumps, compressors, generator sets;
- pipeworks, ceilings, transformers, electrical enclosures.

1) the indicated natural frequency, are valid for the maxi loads of the ranges of use quoted in the paragraph : TECHNICAL CHARACTERISTICS.

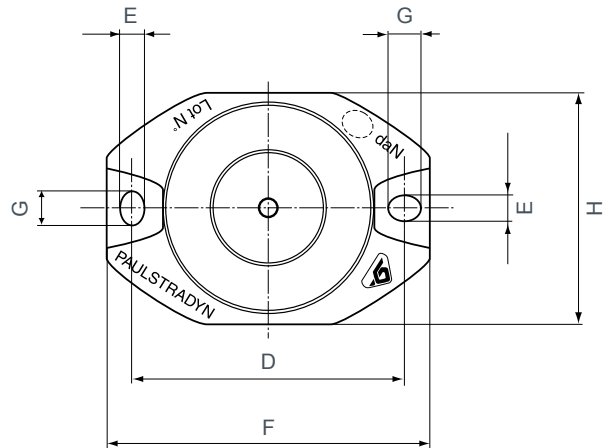
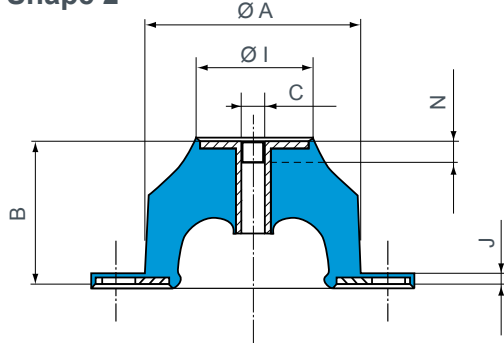


DIMENSIONS CHARACTERISTICS

Shape 1



Shape 2



Designation	Ref.	Nominal Load NL (daN)	Shape	Dimensions (mm)										
				Ø A	B*	C	D	E	F	G	H	Ø I	J	N
Paulstradyn® 4	533701	4	1	40	40	M6	52	6,2	64	6,2	44	12	2,5	6
7	533702	7												
12	533703	12												
Paulstradyn® 20	533704	20	2	60	40	M6	76	6,2	90	8,2	64	31	2,5	6
30	533705	30												
50	533706	50												
Paulstradyn® 70	533707	70	2	80	40	M8	100	8,2	122	12,2	84	48	2,5	12
100	533708	100												
130	533709	130												
Paulstradyn® 160	533710	160	2	100	40	M10	124	10,2	152	16,2	104	68	3	10
200	533711	200												
260	533712	260												
Paulstradyn® 325	533713	325	2	150	40	M12	182	12,2	214	20,2	154	116	4,5	10
400	533714	400												
500	533715	500												
Paulstradyn® 640	533716	640	2	200	40	M16	240	14,2	280	24,2	204	159	5,5	20
820	533717	820												
1050	533718	1050												
1350	533719	1350												

* Height, unloaded 40 mm, under load 32 mm (see Technical Characteristics).

NL : Nominal static load with mounting under axial compression.



TECHNICAL CHARACTERISTICS

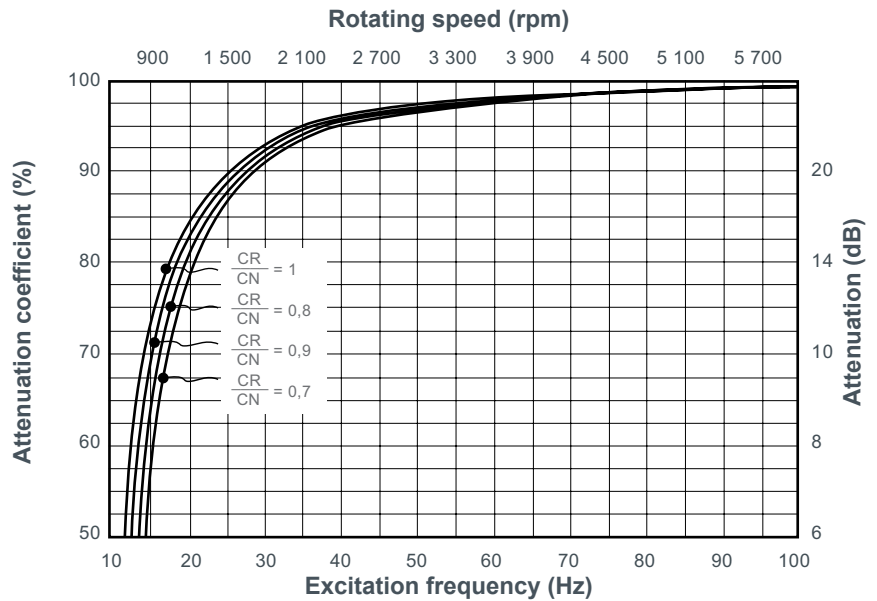
The vibration attenuation and height characteristics under nominal loads are **stabilised after one month under a load at 20°C**.

Common characteristics

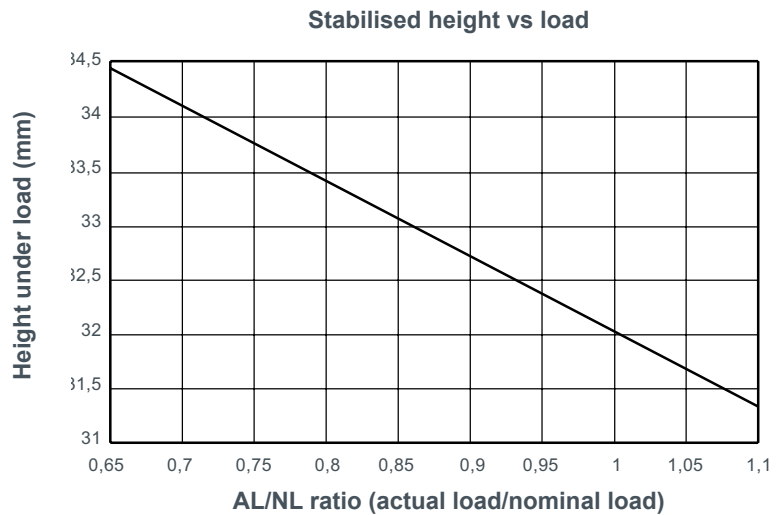
- Natural axial frequency : 7 Hz, with nominal load.
- Natural radial frequency : 3 to 5.5 Hz.
- Maximum displacement :
 - axial : 12 mm
 - radial : ± 10 mm.

Vibration attenuation

$$\frac{AL}{NL} = \text{Ratio} \frac{\text{actual load}}{\text{nominal load}}$$



Height under load



Temperature

Operating temperature : - 20 °C to + 70 °C.

Other characteristics*

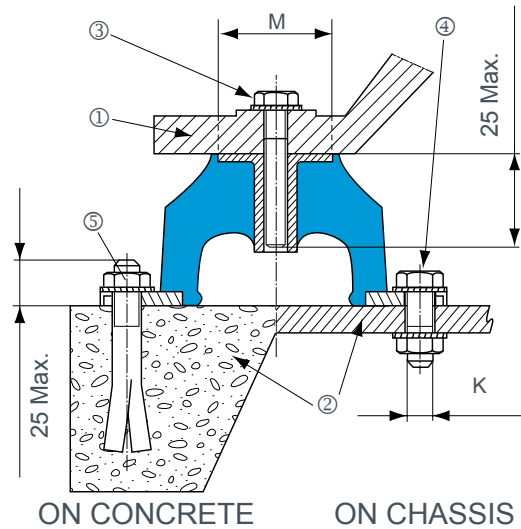
Good dynamic performance at high frequency
Withstand fatigue and shocks.
Reduced creep.

* Detailed Technical Characteristics can be sent on request. Ask us for details.

MOUNTING

Standard Mounting

- ① machine base or foot dimensions > $\varnothing M^*$
- ② supporting structure (floor) dimensions > base of mounting F^*
- ③ screw $\varnothing C^{**}$
- ④ screw HM $\varnothing K$, a washer is required between the screw head and the PAULSTRADYN^{®**}
- ⑤ screw $\varnothing K$, a washer is required between the screw head and the PAULSTRADYN^{®**}



Shape 1

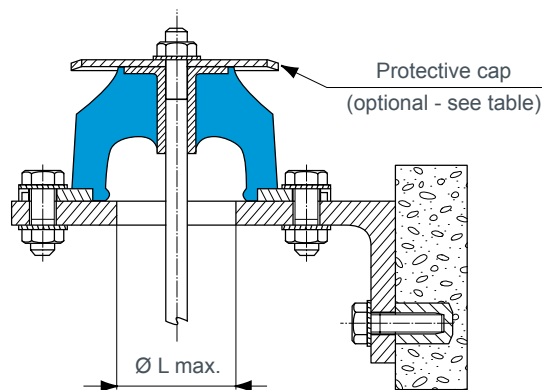
* to distribute the load and resist corrosion.
 ** nuts and screws grade 4.6 minimum.

Recommended torque

Diameter K (mm)	M6	M8	M10	M12
Torque N.m	2	5	12	20

Note : Do not paint the mountings after fitting.

Alternative mounting



Shape 2

Mounting and cap references

Paulstradyn [®] references	Dimensions (mm)			Protective cap reference (optional)
	K Shape 1	L max. shape 2	M min. shape 1	
533701, 533702, 533703, 533704, 533705, 533706	M5	27	14	342919
533707, 533708, 533709	M5	40	34	342356
533710, 533711, 533712	M6	46	50	342733
533713, 533714, 533715	M8	47	70	342734
533716, 533717, 533718	M10	99	118	342353
533719	M12	127	162	342354