



产品特性 Product features

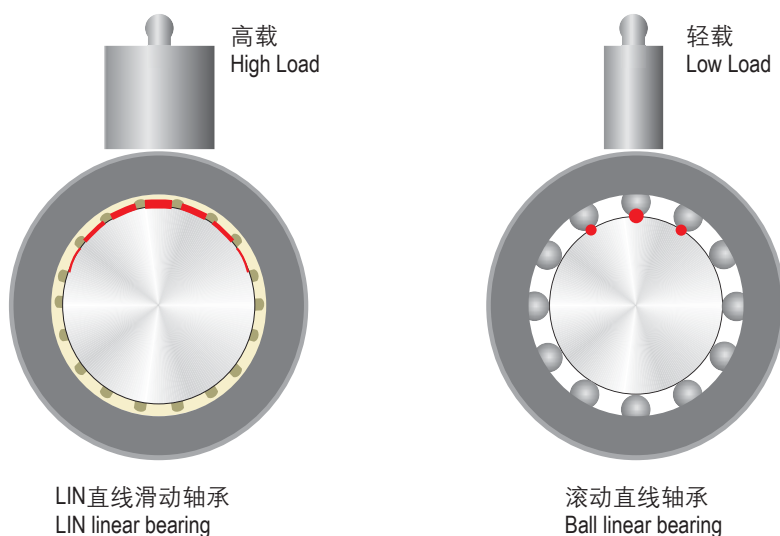
- 自润滑免维护塑料直线轴承。无噪音运行。适合在极其恶劣的粉尘环境中连续使用。允许被食品药品包装机械清洗液清洗。对轴材料硬度以及安装孔的精度要求较低
 - 免维护、长期干运行、无噪音
 - 适合灰尘中长期运行
 - 耐腐蚀，适合用消毒液清洗
 - 直槽设计易将灰尘排出摩擦面
 - 安装和替换简易
 - 适合轻量化设计
-
- Maintenance free plastic linear bearing. Low noise operation is suitable for continuously application under the extremely dusty environment. It is washable by the clean detergent of the food machine. There is no critical requirement about the shaft hardness or the mounting holes of the housing
 - Maintenance-free, dry operation, low noise
 - Suitable for long-time running in dusty environments
 - Corrosion resistance: Cleaning with disinfectant lotion
 - Straight grooves design removed the dust from the friction surface
 - Easy installation and replacement
 - Suitable for lightweight design

CSB-LIN[®] 直线轴承高承载能力

CSB-LIN[®] linear bearings with high loading capability

CSB-LIN[®]塑料直线轴承作为一种直线滑动轴承，工作面是以面形式与轴表面接触，而传动的滚珠直线轴承是以点线的形式和轴表面接触；这就决定了较大接触面的LIN塑料直线轴承具有比滚珠直线轴承更高的承载能力。

As a linear sliding bearings, the contacting of the bearing and the shaft is a surface instead of point contact of the traditional ball bearings. So it results in that the surface contacting CSB-LIN[®] plastic linear bearings are with better loading capability than the sliding ball bearings.



CSB-LIN[®]直线轴承在污垢、灰尘中干运行

CSB-LIN[®] linear bearings used in extremely conditions of sands and dusts



CSB-LIN[®]直线轴承滑动膜是由高耐磨标准材料EPB13制成；特殊的直槽结构设计允许轴承在污垢、灰尘或沙粒中平稳运行，直槽能使得脏物很快速的落入到设计的凹槽中，并通过不断的直线运动最终被从凹槽中帶出直线轴承系统。而传统的金属滚动直线轴承在有污垢、灰尘或沙粒存在的情况下会很容易出现卡死、跑珠等现象而卡死，甚至会因卡死现象导致轴被拉伤。

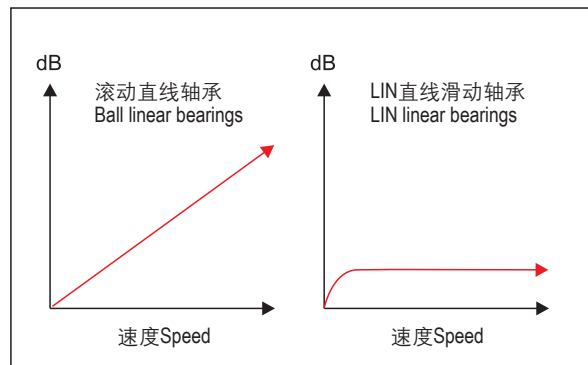
CSB-LIN[®] liners is made from high anti-wear material EPB13. The straight grooves design allows the bearing to be used in the extremely conditions such as in sands and dusts. The straight grooves design allows the sands or dusts entering the grooves and be brought out of the bearing system finally ,but the traditional ball bearings will be blocked by the entered sands or dusts, then the ball bearings moving system and the shaft surface will be damaged.

CSB-LIN[®]直线轴承低噪音运行

CSB-LIN[®] linear bearings operation with low noise

金属滚珠直线轴承由于滚珠在运动过程中与保持架体之间的撞击所发出的噪音，而且这种噪音会随着速度的加快而增高。但CSB-LIN[®]直线轴承的工作面为滑动摩擦设计，所以在运行过程中只能发出较低的摩擦声，运行噪音非常低。

Metal ball bearings generates high noise by the crashing of balls to the shafts during the operation and the noise will be sharply increased when the operation speed goes higher while the CSB-LIN[®] plastic linear bearings are with the surface contacting structure which ensures a lower operation noise level.



■ 噪音曲线对比图 Comparison of noise development

CSB-LIN[®]直线轴承允许经常接触清洗液

CSB-LIN[®] linear bearings allows the access of cleaning solution

CSB-LIN[®]直线轴承被经常用于食品包装机械的导向机构中，经常受到清洗液的冲刷；多年的使用证明CSB-LIN[®]直线轴承正如所设计的那样足够抵抗各类碱性清洗液的腐蚀，甚至能整体浸泡在液体介质中运行。

The CSB-LIN[®] plastic linear bearings are used in the food packing machine guiding system so it is easily access to the cleaning solutions. Years of application experience proves that the CSB-LIN[®] plastic linear bearings are corrosion resistant to most kinds of Alkaline cleaning solutions or could be even immersed into the solutions.

滑动膜技术数据表 Liners technical data table

| 材料性能 Material properties | 测试标准 Standard | 单位 Unit | CSB-EPB13 | CSB-EPB5 | CSB-MN2 |
|--|------------------|------------------------------------|-------------------|------------------|------------------|
| 颜色 Color | - | - | 黄色 Yellow | 黑色 Black | 深灰 Dark grey |
| 密度 Density | ISO1183 | g/cm ³ | 1.48 | 1.44 | 1.65 |
| 最大吸湿率 Max. moisture absorption, 50%RH | ISO62 | % | 0.3 | 0.1 | 0.2 |
| 最大吸水率 Max. water absorption | ISO62 | % | 1.3 | 0.5 | 0.7 |
| 对钢动摩擦系数 Coefficient of sliding friction(steel) | ITS025 | μ | 0.05-0.15 | 0.09-0.25 | 0.10-0.18 |
| 极限PV值 Max. PV value | ITS026 | N/mm ² × m/s | 0.40 | 1.40 | 0.30 |
| 弯曲模量 Flexural modulus | ISO178 | MPa | 2600 | 4800 | 2400 |
| 弯曲强度 Flexural strength | ISO178 | MPa | 60 | 165 | 53 |
| 最大静载荷 Max. static load | ITS027 | MPa | 35 | 110 | 30 |
| 最大动载荷 Max. dynamic load | ITS028 | MPa | 14 | 61 | 12 |
| 邵氏硬度 Shore hardness | ISO868 | D | 74 | 82 | 73 |
| 连续运行温度 Long-term application temperature | ITS029 | °C | +90 | +250 | +90 |
| 短时运行温度 Short-term application temperature | ITS029 | °C | +120 | +315 | +120 |
| 最低运行温度 Lowest application temperature | ITS029 | °C | -50 | -100 | -50 |
| 导热性 Thermal conductivity | ISO22007 | W/m/K | 0.25 | 0.55 | 0.24 |
| 线性热膨胀系数 Coefficient of thermal expansion | ISO11359 | K ⁻¹ × 10 ⁻⁵ | 10 | 6 | 8 |
| 阻燃等级 Flammability | UL94 | Class | HB | V0 | HB |
| 体电阻率 Volume resistance | IEC60093 | Ω · cm | >10 ¹³ | >10 ⁸ | >10 ⁸ |
| 面电阻率 Surface resistance | IEC60093 | Ω | >10 ¹² | >10 ⁷ | >10 ⁸ |

*ITS: CSB内部测试标准 CSB company' s internal test standards.

**除非特殊说明测试温度为23℃ Test temperatures are 23℃ unless otherwise stated.

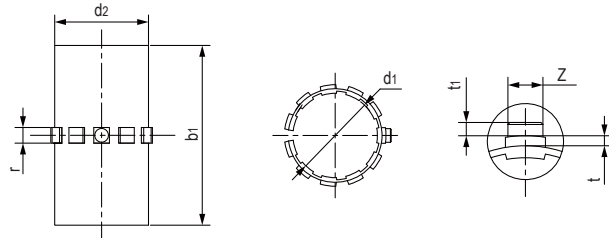
CSB-LIN®直线轴承承载能力 Load capacity

滑动膜材料: CSB-EPB13

Liner material: CSB-EPB13

| 内径 Inner diameter | 最大许可动载荷 [N] Dynamic Load P=5MPa | | 最大许可静载荷 [N] Max. Static Load P=35MPa | |
|----------------------|---------------------------------|-----------------------------|--------------------------------------|-----------------------------|
| | LIN-11 滑动膜 LIN-11 Liners | LIN-12 滑动膜 LIN-12 Liners | LIN-11 滑动膜 LIN-11 Liners | LIN-12 滑动膜 LIN-12 Liners |
| 10 | 870 | 780 | 6090 | 5460 |
| 12 | 1152 | 1008 | 8064 | 7056 |
| 16 | 1728 | 1440 | 12096 | 10080 |
| 20 | 2700 | 1800 | 18900 | 12600 |
| 25 | 4350 | 3000 | 30650 | 21000 |
| 30 | 6120 | 4500 | 42840 | 31500 |
| 40 | 9600 | 7200 | 67200 | 50400 |
| 50 | 15000 | 10500 | 105000 | 73500 |

LIN-11 滑动膜 Liners

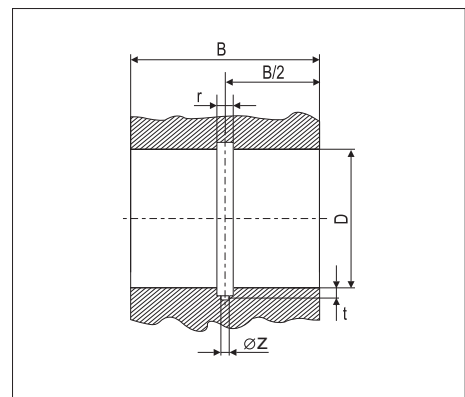


座孔 Housing: H7 轴 Shaft: h6-h9

| 产品编码 Part No. | d ₁ [mm] | 公差 Tolerance [mm] | d ₂ [mm] | b ₁ [mm] | t [mm] | t ₁ [mm] | Z [mm] | r[-0.1/-0.2] [mm] | 重量 Weight [g] |
|------------------|------------------------|----------------------|------------------------|------------------------|-----------|------------------------|-----------|----------------------|------------------|
| LIN-11-10 | 10 | +0.030/+0.070 | 12 | 28 | 0.8 | 0.8 | 2.5 | 3.0 | 1.3 |
| LIN-11-12 | 12 | +0.030/+0.070 | 14 | 31 | 0.8 | 1.0 | 3.0 | 3.0 | 1.6 |
| LIN-11-16 | 16 | +0.030/+0.070 | 18 | 35 | 0.8 | 1.2 | 3.5 | 3.5 | 2.2 |
| LIN-11-20 | 20 | +0.030/+0.070 | 23 | 44 | 0.8 | 1.2 | 3.5 | 5.0 | 5.0 |
| LIN-11-25 | 25 | +0.030/+0.070 | 28 | 57 | 0.8 | 1.5 | 4.0 | 5.0 | 8.0 |
| LIN-11-30 | 30 | +0.040/+0.085 | 34 | 67 | 0.8 | 1.5 | 4.0 | 5.0 | 15.1 |
| LIN-11-40 | 40 | +0.040/+0.085 | 44 | 79 | 1.3 | 2.0 | 5.0 | 6.0 | 25.6 |
| LIN-11-50 | 50 | +0.050/+0.100 | 55 | 99 | 1.3 | 2.0 | 6.0 | 7.0 | 50.6 |

装配尺寸 Installation size

| 产品编码 Part No. | 轴径 Shaft [mm] | D H7 [mm] | B h10 [mm] | r ^{+0.5} [mm] | t ^{+0.05} [mm] | Z ^{+0.2} [mm] |
|------------------|------------------|--------------|---------------|---------------------------|----------------------------|---------------------------|
| LIN-11-10 | 10 | 12 | 29 | 3.0 | 0.8 | 2.6 |
| LIN-11-12 | 12 | 14 | 32 | 3.0 | 1.0 | 3.1 |
| LIN-11-16 | 16 | 18 | 36 | 3.5 | 1.2 | 3.6 |
| LIN-11-20 | 20 | 23 | 45 | 5.0 | 1.2 | 3.6 |
| LIN-11-25 | 25 | 28 | 58 | 5.0 | 1.5 | 4.1 |
| LIN-11-30 | 30 | 34 | 68 | 5.0 | 1.5 | 4.1 |
| LIN-11-40 | 40 | 44 | 80 | 6.0 | 2.0 | 5.1 |
| LIN-11-50 | 50 | 55 | 100 | 7.0 | 2.0 | 6.1 |



配合LIN-11滑动膜产品:

LIN-11 Liners are used in:



LIN-11R

LIN-11RF

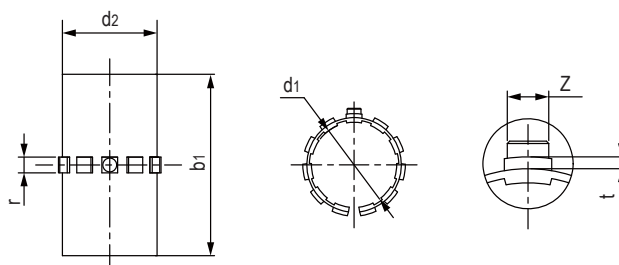
LIN-11B

产品编码 Part No.:

LIN-11-10

内径 Inner diameter

标准系列11 Standard series 11

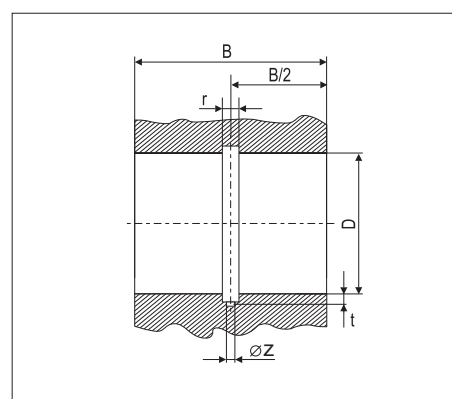
LIN-12 滑动膜 Liners


座孔 Housing: H7 轴 Shaft: h6-h9

| 产品编码 Part No. | d ₁ [mm] | 公差 Tolerance [mm] | d ₂ [mm] | b ₁ [mm] | t [mm] | Z [mm] | r[-0.1/-0.2] [mm] | 重量 Weight [g] |
|------------------|------------------------|----------------------|------------------------|------------------------|-----------|-----------|----------------------|------------------|
| LIN-12-10 | 10 | +0.030/+0.070 | 12 | 25 | 0.8 | 2.5 | 3.0 | 1.1 |
| LIN-12-12 | 12 | +0.030/+0.070 | 14 | 27 | 0.8 | 3.0 | 3.0 | 1.4 |
| LIN-12-16 | 16 | +0.030/+0.070 | 18 | 29 | 0.8 | 3.5 | 3.5 | 1.9 |
| LIN-12-20 | 20 | +0.030/+0.070 | 23 | 29 | 0.8 | 3.5 | 5.0 | 3.3 |
| LIN-12-25 | 25 | +0.030/+0.070 | 28 | 39 | 0.8 | 4.0 | 5.0 | 5.5 |
| LIN-12-30 | 30 | +0.040/+0.085 | 34 | 49 | 0.8 | 4.0 | 5.0 | 11.1 |
| LIN-12-40 | 40 | +0.040/+0.085 | 44 | 59 | 1.3 | 5.0 | 6.0 | 19.0 |
| LIN-12-50 | 50 | +0.050/+0.100 | 55 | 69 | 1.3 | 6.0 | 7.0 | 35.3 |

装配尺寸 Installation size

| 产品编码 Part No. | 轴径 Shaft [mm] | D H7 [mm] | B h10 [mm] | r ^{+0.5} [mm] | t ^{+0.05} [mm] | Z ^{+0.2} [mm] |
|------------------|------------------|--------------|---------------|---------------------------|----------------------------|---------------------------|
| LIN-12-10 | 10 | 12 | 26 | 3.0 | 0.8 | 2.6 |
| LIN-12-12 | 12 | 14 | 28 | 3.0 | 0.8 | 3.1 |
| LIN-12-16 | 16 | 18 | 30 | 3.5 | 0.8 | 3.6 |
| LIN-12-20 | 20 | 23 | 30 | 5.0 | 0.8 | 3.6 |
| LIN-12-25 | 25 | 28 | 40 | 5.0 | 0.8 | 4.1 |
| LIN-12-30 | 30 | 34 | 50 | 5.0 | 0.8 | 4.1 |
| LIN-12-40 | 40 | 44 | 60 | 6.0 | 1.3 | 5.1 |
| LIN-12-50 | 50 | 55 | 70 | 7.0 | 1.3 | 6.1 |


配合LIN-12滑动膜产品:

LIN-12 Liners are used in:



LIN-12R

LIN-12RTL

LIN-12RTM

LIN-12B

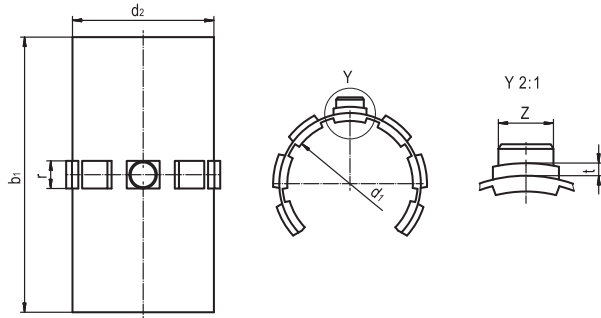
产品编码 Part No.:

LIN-12-10

内径 Inner diameter

标准系列12 Standard series 12

LIN-11K滑动膜 Liners

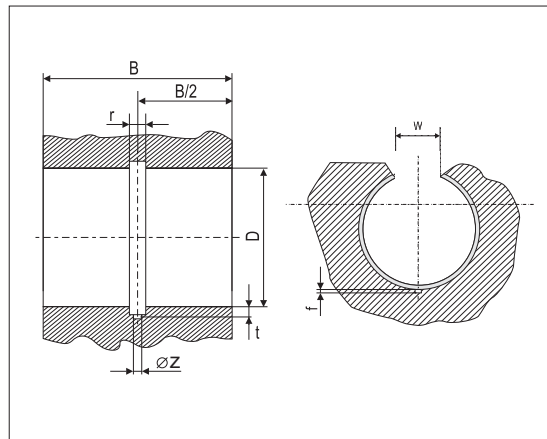


座孔 Housing: H7 轴 Shaft: h6-h9

| 产品编码 Part No. | d ₁ [mm] | 公差 Tolerance [mm] | d ₂ [mm] | b ₁ [mm] | t [mm] | Z [mm] | r[-0.1/-0.2] [mm] | 重量 Weight [g] |
|------------------|------------------------|----------------------|------------------------|------------------------|-----------|-----------|----------------------|------------------|
| LIN-11K-10 | 10 | +0.030/+0.070 | 12 | 28 | 0.8 | 2.5 | 3.0 | 1.0 |
| LIN-11K-12 | 12 | +0.030/+0.070 | 14 | 31 | 0.8 | 3.0 | 3.0 | 1.3 |
| LIN-11K-16 | 16 | +0.030/+0.070 | 18 | 35 | 0.8 | 3.5 | 3.5 | 1.9 |
| LIN-11K-20 | 20 | +0.030/+0.070 | 23 | 44 | 0.8 | 3.5 | 5.0 | 4.5 |
| LIN-11K-25 | 25 | +0.030/+0.070 | 28 | 57 | 0.8 | 4.0 | 5.0 | 7.5 |
| LIN-11K-30 | 30 | +0.040/+0.085 | 34 | 67 | 0.8 | 4.0 | 5.0 | 14.5 |
| LIN-11K-40 | 40 | +0.040/+0.085 | 44 | 79 | 1.3 | 5.0 | 6.0 | 24.5 |
| LIN-11K-50 | 50 | +0.050/+0.100 | 55 | 99 | 1.3 | 6.0 | 7.0 | 49.0 |

装配尺寸 Installation size

| 产品编码 Part No. | 轴径 Shaft [mm] | D H7 [mm] | B h10 [mm] | W [mm] | r ^{+0.5} [mm] | t ^{+0.05} [mm] | f ^{+0.1} [mm] | Z ^{+0.2} [mm] |
|------------------|---------------------|--------------|---------------|-----------|---------------------------|----------------------------|---------------------------|---------------------------|
| LIN-11K-10 | 10 | 12 | 29 | 7.3 | 3.0 | 2.6 | 1.0 | 2.6 |
| LIN-11K-12 | 12 | 14 | 32 | 9.0 | 3.0 | 3.1 | 1.5 | 3.1 |
| LIN-11K-16 | 16 | 18 | 36 | 11.6 | 3.5 | 3.6 | 1.7 | 3.6 |
| LIN-11K-20 | 20 | 23 | 45 | 12.0 | 5.0 | 3.6 | 2.0 | 3.6 |
| LIN-11K-25 | 25 | 28 | 58 | 14.5 | 5.0 | 4.1 | 2.0 | 4.1 |
| LIN-11K-30 | 30 | 34 | 68 | 16.6 | 5.0 | 4.1 | 2.0 | 4.1 |
| LIN-11K-40 | 40 | 44 | 80 | 21.0 | 6.0 | 5.1 | 2.5 | 5.1 |
| LIN-11K-50 | 50 | 55 | 100 | 25.5 | 7.0 | 6.1 | 2.5 | 6.1 |



配合LIN-11K滑动膜产品:

LIN-11K Liners are used in:



LIN-11RK



LIN-11RSK



LIN-11BK

产品编码 Part No.:

LIN-11K-10

内径 Inner diameter

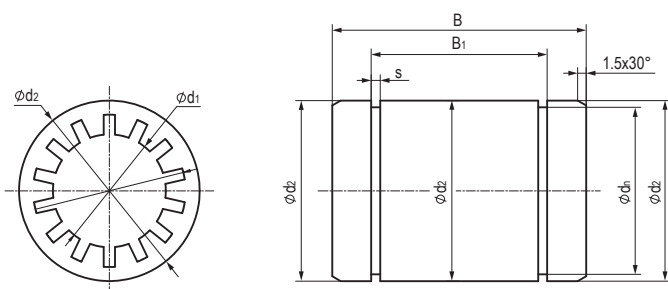
标准开口系列11K Standard split type 11K

LIN-00 全塑料直线轴承 Plastic linear bearings



- 高性能材料EPB13制成
- 过盈配合压装
- 卡簧轴向加固
- 标准配合公差E9
- 适用于污垢或灰尘环境
- 使用温度-20℃/+60℃
- Made from EPB13 high-performance polymers
- Assembly by press fitting
- Axial secured by circlips
- Standard tolerance E9
- Unaffected by dirt and dust
- Operation temperature -20℃/+60℃

标准规格 Standard specifications



产品编码 Part No.:

LIN-00-06

轴承内径 Inner diameter

LIN-00 系列直线轴承
LIN-00 standard bearings

座孔 Housing: H7 轴 Shaft: h6-h9

| 产品编码 Part No. | d ₁ [mm] | 公差 Tolerance [mm] | d ₂ [mm] | B [mm] | B ₁ [mm] | s [mm] | d _s [mm] |
|------------------|------------------------|----------------------|------------------------|-----------|------------------------|-----------|------------------------|
| LIN-00-06 | 6 | +0.020/+0.050 | 12 | 19 | 13.5 | 1.1 | 11.5 |
| LIN-00-08 | 8 | +0.025/+0.061 | 16 | 25 | 16.2 | 1.1 | 15.2 |
| LIN-00-10 | 10 | +0.032/+0.075 | 19 | 29 | 21.6 | 1.3 | 17.5 |
| LIN-00-12 | 12 | +0.032/+0.075 | 22 | 32 | 22.6 | 1.3 | 20.5 |
| LIN-00-16 | 16 | +0.032/+0.075 | 26 | 36 | 24.6 | 1.3 | 24.2 |
| LIN-00-20 | 20 | +0.040/+0.092 | 32 | 45 | 31.2 | 1.6 | 29.6 |
| LIN-00-25 | 25 | +0.040/+0.092 | 40 | 58 | 43.7 | 1.85 | 36.5 |
| LIN-00-30 | 30 | +0.040/+0.092 | 47 | 68 | 51.7 | 1.85 | 43.5 |

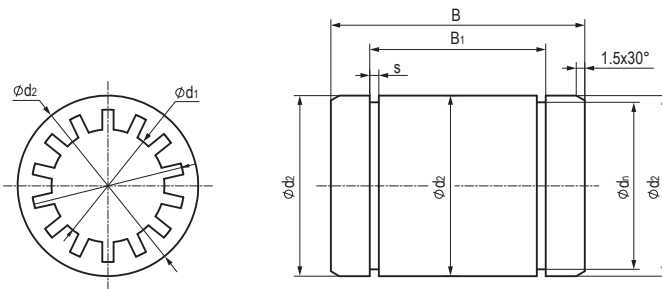
| 产品编码 Part No. | 轴径 Shaft [mm] | 座孔 Housing [mm] | 公差 Tolerance [mm] | F max. [N] 最大动载荷 Dynamic Load P=2.5MPa | F max. [N] 最大静载荷 Static Load P=17.5MPa | 重量 Weight [g] |
|------------------|------------------|--------------------|----------------------|--|--|------------------|
| LIN-00-06 | 6 | 12 | 0/+0.018 | 200 | 1400 | 2 |
| LIN-00-08 | 8 | 16 | 0/+0.018 | 250 | 1750 | 4 |
| LIN-00-10 | 10 | 19 | 0/+0.021 | 363 | 2538 | 7 |
| LIN-00-12 | 12 | 22 | 0/+0.021 | 480 | 3360 | 9 |
| LIN-00-16 | 16 | 26 | 0/+0.021 | 720 | 5040 | 13 |
| LIN-00-20 | 20 | 32 | 0/+0.025 | 1125 | 7875 | 24 |
| LIN-00-25 | 25 | 40 | 0/+0.025 | 1813 | 12688 | 47 |
| LIN-00-30 | 30 | 47 | 0/+0.025 | 2550 | 17850 | 72 |

LIN-01 全塑料直线轴承 Plastic linear bearings



- 高性能EPB13材料制成
- 易用手直接装配
- 卡簧轴向固定
- 较小的配合间隙
- 适用于污垢或灰尘环境
- 使用温度-20℃/+60℃
- Made from EPB13 high-performance polymers
- Easy assembly by hand
- Axial secured by circlips
- Reduced bearing clearance
- Unaffected by dirt and dust
- Operation temperature -20℃/+60℃

标准规格 Standard specifications



产品编码 Part No.:

LIN-01-06

轴承内径 Inner diameter

LIN-01 系列直线轴承
LIN-01 standard bearings

座孔 Housing: H7 轴 Shaft: h6-h9

| 产品编码 Part No. | d ₁ [mm] | 公差 Tolerance [mm] | d ₂ [mm] | B [mm] | B ₁ [mm] | s [mm] | d _s [mm] |
|------------------|------------------------|----------------------|------------------------|-----------|------------------------|-----------|------------------------|
| LIN-01-06 | 6 | 0/+0.03 | 12 | 19 | 13.5 | 1.1 | 11.5 |
| LIN-01-08 | 8 | 0/+0.04 | 16 | 25 | 16.2 | 1.1 | 15.2 |
| LIN-01-10 | 10 | 0/+0.04 | 19 | 29 | 21.6 | 1.3 | 17.5 |
| LIN-01-12 | 12 | 0/+0.04 | 22 | 32 | 22.6 | 1.3 | 20.5 |
| LIN-01-16 | 16 | 0/+0.04 | 26 | 36 | 24.6 | 1.3 | 24.2 |
| LIN-01-20 | 20 | 0/+0.04 | 32 | 45 | 31.2 | 1.6 | 29.6 |
| LIN-01-25 | 25 | 0/+0.05 | 40 | 58 | 43.7 | 1.85 | 36.5 |
| LIN-01-30 | 30 | 0/+0.05 | 47 | 68 | 51.7 | 1.85 | 43.5 |

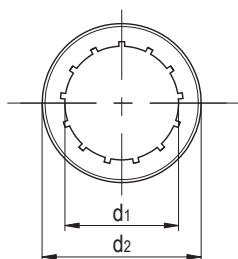
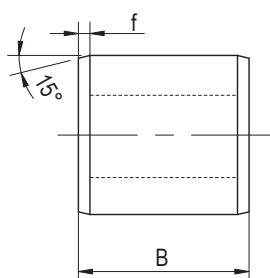
| 产品编码 Part No. | 轴径 Shaft [mm] | 座孔 Housing [mm] | 公差 Tolerance [mm] | F max. [N] 最大动 载荷 Dynamic Load P=2.5MPa | F max. [N] 最大静 载荷 Static Load P=17.5MPa | 重量 Weight [g] |
|------------------|------------------|--------------------|----------------------|--|--|------------------|
| LIN-01-06 | 6 | 12 | 0/+0.018 | 200 | 1400 | 2 |
| LIN-01-08 | 8 | 16 | 0/+0.018 | 250 | 1750 | 4 |
| LIN-01-10 | 10 | 19 | 0/+0.021 | 363 | 2538 | 7 |
| LIN-01-12 | 12 | 22 | 0/+0.021 | 480 | 3360 | 9 |
| LIN-01-16 | 16 | 26 | 0/+0.021 | 720 | 5040 | 13 |
| LIN-01-20 | 20 | 32 | 0/+0.025 | 1125 | 7875 | 24 |
| LIN-01-25 | 25 | 40 | 0/+0.025 | 1813 | 12688 | 47 |
| LIN-01-30 | 30 | 47 | 0/+0.025 | 2550 | 17850 | 72 |

LIN-02 压配合全塑料直线轴承 Compact plastic linear bearings



- 高性能EPB25材料制成
- 过盈配合压装
- 适用于污垢或灰尘环境
- 使用温度-60℃/+140℃
- Made from EPB25 high-performance polymers
- Assembly by press fitting
- Unaffected by dirt and dust
- Operation temperature -60℃/+140℃

标准规格 Standard specifications



产品编码 Part No.:

LIN-02-06

轴承内径 Inner diameter

LIN-02 系列直线轴承
LIN-02 standard bearings

座孔 Housing: H7 轴 Shaft: h6-h9

| 产品编码 Part No. | d ₁ [mm] | d公差 Tolerance [mm] | d ₂ [mm] | B [mm] | f [mm] |
|------------------|------------------------|-----------------------|------------------------|-----------|-----------|
| LIN-02-06 | 6 | +0.032/+0.070 | 12 | 22 | 1 |
| LIN-02-08 | 8 | +0.032/+0.070 | 15 | 24 | 1 |
| LIN-02-10 | 10 | +0.030/+0.088 | 17 | 26 | 1.5 |
| LIN-02-12 | 12 | +0.030/+0.088 | 19 | 28 | 1.5 |
| LIN-02-16 | 16 | +0.030/+0.088 | 24 | 30 | 1.5 |
| LIN-02-20 | 20 | +0.030/+0.091 | 28 | 30 | 2 |
| LIN-02-25 | 25 | +0.030/+0.091 | 35 | 40 | 2 |
| LIN-02-30 | 30 | +0.040/+0.110 | 40 | 50 | 2.5 |

| 产品编码 Part No. | 轴径 Shaft [mm] | 座孔 Housing H7 [mm] | 公差 Tolerance [mm] | F max. [N] 最大动载荷 Dynamic Load P=5MPa | F max. [N] 最大静载荷 Static Load P=35MPa | 重量 Weight [g] |
|------------------|------------------|-----------------------|----------------------|--|--|------------------|
| LIN-02-06 | 6 | 12 | 0/+0.018 | 510 | 3570 | 1.5 |
| LIN-02-08 | 8 | 15 | 0/+0.018 | 552 | 3867 | 2.8 |
| LIN-02-10 | 10 | 17 | 0/+0.018 | 663 | 4641 | 5 |
| LIN-02-12 | 12 | 19 | 0/+0.021 | 856 | 5997 | 6.5 |
| LIN-02-16 | 16 | 24 | 0/+0.021 | 1224 | 8568 | 9.7 |
| LIN-02-20 | 20 | 28 | 0/+0.021 | 1530 | 10710 | 11.7 |
| LIN-02-25 | 25 | 35 | 0/+0.025 | 2550 | 17850 | 22.8 |
| LIN-02-30 | 30 | 40 | 0/+0.025 | 3825 | 26775 | 34.9 |

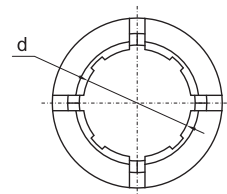
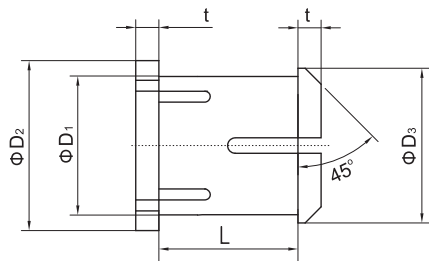
ELB弹性直线轴承 Elastic linear bearings



产品特性 Product features

- 特殊设计直线运动轴承。同样适用于粉尘或经常需要清洗的环境中。安装极为简易，直接通过轴承自身限位固定。轴承的弹性允许安装孔和配合轴尺寸偏差。
- 自润滑，高耐磨
- 高排屑能力，易清洗
- 低摩擦系数
- 低成本，易安装
- Special designed linear bearing. It is suitable for the dusty environment. The mounting of the bearing is simple and easy. No additional location ring is needed. The elastic feature of the bearing can adjust the deviated mounting holes or shaft tolerance.
- Maintenance-free, high wear resistance
- Very suitable for long-time working in dusty
- Low friction coefficient
- Low cost, easy to install

标准规格 Standard specifications

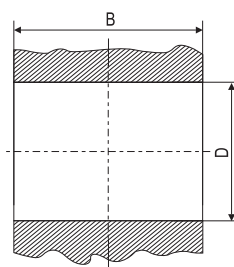


座孔 Housing: H7 轴 Shaft: h6-h9

| 产品编码 Part No. | d [mm] | d公差 Tolerance [mm] | D ₁ [mm] | L [mm] | D ₂ [mm] | D ₃ [mm] | t [mm] | 重量 Weight [g] |
|------------------|-----------|-----------------------|------------------------|-----------|------------------------|------------------------|-----------|------------------|
| ELB-0610-10 | 6 | +0.020/+0.068 | 10 | 10 | 12 | 11 | 1.5 | 0.9 |
| ELB-0610-15 | 6 | +0.020/+0.068 | 10 | 15 | 12 | 11 | 1.5 | 1.2 |
| ELB-0812-10 | 8 | +0.025/+0.083 | 12 | 10 | 14 | 13 | 1.5 | 1.2 |
| ELB-0812-15 | 8 | +0.025/+0.083 | 12 | 15 | 14 | 13 | 1.5 | 1.6 |
| ELB-1014-10 | 10 | +0.025/+0.083 | 14 | 10 | 18 | 16 | 2 | 1.7 |
| ELB-1014-15 | 10 | +0.025/+0.083 | 14 | 15 | 18 | 16 | 2 | 2.1 |
| ELB-1216-15 | 12 | +0.032/+0.102 | 16 | 15 | 20 | 18 | 2 | 2.5 |
| ELB-1216-20 | 12 | +0.032/+0.102 | 16 | 20 | 20 | 18 | 2 | 3.1 |
| ELB-1418-15 | 14 | +0.032/+0.102 | 18 | 15 | 22 | 20 | 2 | 2.8 |
| ELB-1418-18 | 14 | +0.032/+0.102 | 18 | 18 | 22 | 20 | 2 | 3.0 |

| 产品编码 Part No. | d [mm] | d公差 Tolerance [mm] | D ₁ [mm] | L [mm] | D ₂ [mm] | D ₃ [mm] | t [mm] | 重量 Weight [g] |
|------------------|-----------|-----------------------|------------------------|-----------|------------------------|------------------------|-----------|------------------|
| ELB-1418-20 | 14 | +0.032/+0.102 | 18 | 20 | 22 | 20 | 2 | 3.4 |
| ELB-1519-20 | 15 | +0.032/+0.102 | 19 | 20 | 23 | 21 | 2 | 3.5 |
| ELB-1519-25 | 15 | +0.032/+0.102 | 19 | 25 | 23 | 21 | 2 | 4.1 |
| ELB-1620-20 | 16 | +0.032/+0.102 | 20 | 20 | 24 | 22 | 3 | 4.2 |
| ELB-1620-25 | 16 | +0.032/+0.102 | 20 | 25 | 24 | 22 | 3 | 4.9 |
| ELB-1822-20 | 18 | +0.032/+0.102 | 22 | 20 | 26 | 24 | 3 | 4.8 |
| ELB-1822-25 | 18 | +0.032/+0.102 | 22 | 25 | 26 | 24 | 3 | 5.5 |
| ELB-2024-25 | 20 | +0.040/+0.124 | 24 | 25 | 28 | 26 | 3 | 5.5 |
| ELB-2025-20 | 20 | +0.040/+0.124 | 25 | 20 | 29 | 27 | 3 | 6.5 |
| ELB-2025-30 | 20 | +0.040/+0.124 | 25 | 30 | 29 | 27 | 3 | 8.5 |
| ELB-2529-30 | 25 | +0.040/+0.124 | 29 | 30 | 33 | 31 | 3 | 8.0 |
| ELB-2530-30 | 25 | +0.040/+0.124 | 30 | 30 | 34 | 32 | 3 | 10.8 |
| ELB-2530-40 | 25 | +0.040/+0.124 | 30 | 40 | 34 | 32 | 3 | 13.5 |
| ELB-3034-30 | 30 | +0.040/+0.124 | 34 | 30 | 38 | 36 | 3 | 9.5 |
| ELB-3035-30 | 30 | +0.040/+0.124 | 35 | 30 | 39 | 37 | 3 | 12.8 |
| ELB-3035-40 | 30 | +0.040/+0.124 | 35 | 40 | 39 | 37 | 3 | 15.9 |

装配尺寸 Installation size



产品编码 Part No.:

ELB-1418-16

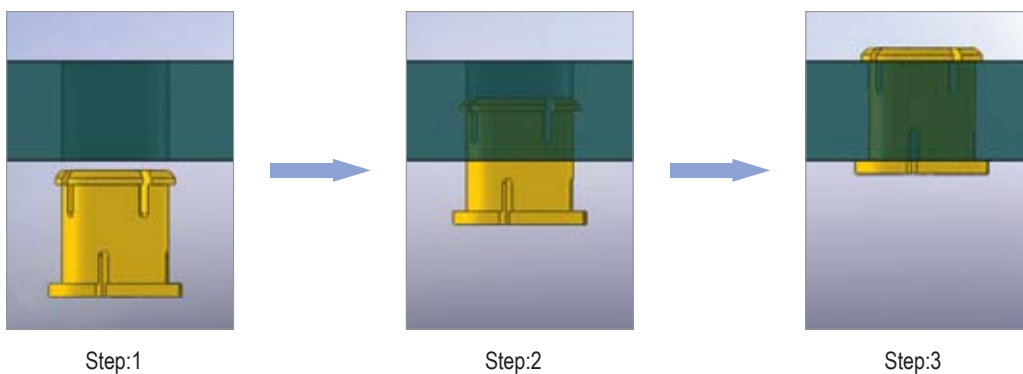
14 — 轴承长度 Length
 18 — 轴承外径 Outer diameter
 16 — 轴承内径 Inner diameter

座孔 Housing: H7 轴 Shaft: h6-h9

| 产品编码 Part No. | 轴径 Shaft h6-h9 [mm] | 公差 Tolerance [mm] | D H7 [mm] | 公差 Tolerance [mm] | B h10 [mm] | 公差 Tolerance [mm] |
|------------------|------------------------|----------------------|--------------|----------------------|---------------|----------------------|
| ELB-0610-10 | 6 | 0/-0.030 | 10 | 0/+0.015 | 10 | 0/-0.058 |
| ELB-0610-15 | 6 | 0/-0.030 | 10 | 0/+0.015 | 15 | 0/-0.058 |
| ELB-0812-10 | 8 | 0/-0.036 | 12 | 0/+0.018 | 10 | 0/-0.070 |
| ELB-0812-15 | 8 | 0/-0.036 | 12 | 0/+0.018 | 15 | 0/-0.070 |
| ELB-1014-10 | 10 | 0/-0.036 | 14 | 0/+0.018 | 10 | 0/-0.070 |
| ELB-1014-15 | 10 | 0/-0.036 | 14 | 0/+0.018 | 15 | 0/-0.070 |
| ELB-1216-15 | 12 | 0/-0.043 | 16 | 0/+0.018 | 15 | 0/-0.070 |

| 产品编码 Part No. | 轴径 Shaft h6-h9 [mm] | 公差 Tolerance [mm] | D H7 [mm] | 公差 Tolerance [mm] | B h10 [mm] | 公差 Tolerance [mm] |
|------------------|------------------------|----------------------|--------------|----------------------|---------------|----------------------|
| ELB-1216-20 | 12 | 0/-0.043 | 16 | 0/+0.018 | 20 | 0/-0.084 |
| ELB-1418-15 | 14 | 0/-0.043 | 18 | 0/+0.018 | 15 | 0/-0.070 |
| ELB-1418-20 | 14 | 0/-0.043 | 18 | 0/+0.018 | 20 | 0/-0.084 |
| ELB-1418-18 | 14 | 0/-0.043 | 18 | 0/+0.018 | 18 | 0/-0.070 |
| ELB-1519-20 | 15 | 0/-0.043 | 19 | 0/+0.021 | 20 | 0/-0.084 |
| ELB-1519-25 | 15 | 0/-0.043 | 19 | 0/+0.021 | 25 | 0/-0.084 |
| ELB-1620-20 | 16 | 0/-0.043 | 20 | 0/+0.021 | 20 | 0/-0.084 |
| ELB-1620-25 | 16 | 0/-0.043 | 20 | 0/+0.021 | 25 | 0/-0.084 |
| ELB-1822-20 | 18 | 0/-0.043 | 22 | 0/+0.021 | 20 | 0/-0.084 |
| ELB-1822-25 | 18 | 0/-0.043 | 22 | 0/+0.021 | 25 | 0/-0.084 |
| ELB-2024-25 | 20 | 0/-0.052 | 24 | 0/+0.021 | 25 | 0/-0.084 |
| ELB-2025-20 | 20 | 0/-0.052 | 25 | 0/+0.021 | 20 | 0/-0.084 |
| ELB-2025-30 | 20 | 0/-0.052 | 25 | 0/+0.021 | 30 | 0/-0.084 |
| ELB-2529-30 | 25 | 0/-0.052 | 29 | 0/+0.021 | 30 | 0/-0.084 |
| ELB-2530-30 | 25 | 0/-0.052 | 30 | 0/+0.021 | 30 | 0/-0.084 |
| ELB-2530-40 | 25 | 0/-0.052 | 30 | 0/+0.021 | 40 | 0/-0.100 |
| ELB-3034-30 | 30 | 0/-0.052 | 34 | 0/+0.025 | 30 | 0/-0.084 |
| ELB-3035-30 | 30 | 0/-0.052 | 35 | 0/+0.025 | 30 | 0/-0.084 |
| ELB-3035-40 | 30 | 0/-0.052 | 35 | 0/+0.025 | 40 | 0/-0.100 |

ELB弹性直线轴承安装方式 Elastic linear bearings installation method

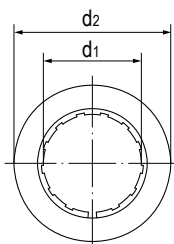
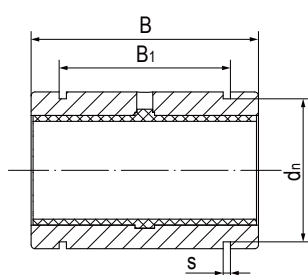


LIN-11R 封闭式直线轴承 Linear bearings, closed



- 封闭式标准长设计
 - 装配LIN-11滑动膜
 - 阳极氧化铝合金适配器
 - 卡簧轴向固定
 - 免维护、低噪音
 - 适用于污垢或灰尘环境
 - 使用温度-50℃/+90℃
- Closed and long design
 - Assembled LIN-11 liners
 - Anodized aluminum adapter
 - Axial secured by circlips
 - Maintenance-free and low noise
 - Resistance to dirt and dust
 - Operation temperature -50℃/+90℃

标准规格 Standard specifications



产品编码 Part No.:

LIN-11R-10

- 内径 Inner diameter
- 封闭式保持器 Closed housing
- LIN-11标准滑动膜
Standard liners LIN-11

座孔 Housing: H7 轴 Shaft: h6-h9

| 产品编码 Part No. | d ₁ [mm] | 公差 Tolerance [mm] | d ₂ h7 [mm] | B h10 [mm] | B ₁ H10 [mm] | d ₁ h10 [mm] | s H10 [mm] |
|------------------|------------------------|----------------------|---------------------------|---------------|----------------------------|----------------------------|---------------|
| LIN-11R-06B | 6 | +0.020/+0.068 | 12 | 22 | 14.2 | 11.5 | 1.1 |
| LIN-11R-08B | 8 | +0.025/+0.083 | 16 | 25 | 16.2 | 15.2 | 1.1 |
| LIN-11R-10 | 10 | +0.030/+0.088 | 19 | 29 | 21.6 | 17.5 | 1.3 |
| LIN-11R-12 | 12 | +0.030/+0.088 | 22 | 32 | 22.6 | 20.5 | 1.3 |
| LIN-11R-16 | 16 | +0.030/+0.088 | 26 | 36 | 24.6 | 24.2 | 1.3 |
| LIN-11R-20 | 20 | +0.030/+0.091 | 32 | 45 | 31.2 | 29.6 | 1.6 |
| LIN-11R-25 | 25 | +0.030/+0.091 | 40 | 58 | 43.7 | 36.5 | 1.85 |
| LIN-11R-30 | 30 | +0.040/+0.110 | 47 | 68 | 51.7 | 43.5 | 1.85 |
| LIN-11R-40 | 40 | +0.040/+0.115 | 62 | 80 | 60.3 | 57.8 | 2.15 |
| LIN-11R-50 | 50 | +0.050/+0.130 | 75 | 100 | 77.3 | 70.5 | 2.65 |

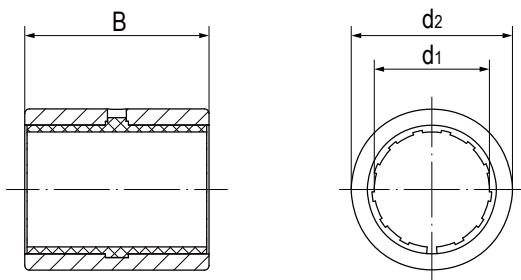
| 产品编码 Part No. | 轴径 Shaft [mm] | 座孔 Housing [mm] H7 | 公差 Tolerance [mm] | F max. [N] 最大动载荷 Dynamic Load P=5MPa | F max. [N] 最大静载荷 Static Load P=35MPa | 重量 Weight [g] |
|------------------|------------------|-----------------------|----------------------|--|--|------------------|
| LIN-11R-06B | 6 | 12 | 0/+0.018 | 525 | 3675 | 5 |
| LIN-11R-08B | 8 | 16 | 0/+0.018 | 960 | 6720 | 9 |
| LIN-11R-10 | 10 | 19 | 0/+0.021 | 725 | 5075 | 12 |
| LIN-11R-12 | 12 | 22 | 0/+0.021 | 960 | 6720 | 20 |
| LIN-11R-16 | 16 | 26 | 0/+0.021 | 1440 | 10080 | 28 |
| LIN-11R-20 | 20 | 32 | 0/+0.025 | 2250 | 15750 | 50 |
| LIN-11R-25 | 25 | 40 | 0/+0.025 | 3625 | 25375 | 104 |
| LIN-11R-30 | 30 | 47 | 0/+0.025 | 5100 | 35700 | 163 |
| LIN-11R-40 | 40 | 62 | 0/+0.030 | 8000 | 56000 | 341 |
| LIN-11R-50 | 50 | 75 | 0/+0.030 | 9000 | 87500 | 589 |

LIN-12R 短型直线轴承 Linear bearings, closed, short design



- 封闭式短型设计
- 装配LIN-12滑动膜
- 阳极氧化铝合金适配器
- 过盈配合压装
- 免维护、低噪音
- 适用于污垢或灰尘环境
- 使用温度-50℃/+90℃
- Closed and short design
- Assembled LIN-12 liners
- Anodized aluminum adapter
- Assembly by press fitting
- Maintenance-free and low noise
- Resistance to dirt and dust
- Operation temperature -50℃/+90℃

标准规格 Standard specifications



产品编码 Part No.:

LIN-12R-10

内径 Inner diameter

封闭式保持器 Closed housing

LIN-12标准滑动膜
Standard liners LIN-12

座孔 Housing: H7 轴 Shaft: h6-h9

| 产品编码 Part No. | d ₁ [mm] | 公差 Tolerance [mm] | d ₂ h7 [mm] | B h10 [mm] |
|------------------|------------------------|----------------------|---------------------------|---------------|
| LIN-12R-06B | 6 | +0.020/+0.068 | 12 | 22 |
| LIN-12R-08B | 8 | +0.025/+0.083 | 15 | 24 |
| LIN-12R-10 | 10 | +0.030/+0.088 | 17 | 26 |
| LIN-12R-12 | 12 | +0.030/+0.088 | 19 | 28 |
| LIN-12R-16 | 16 | +0.030/+0.088 | 24 | 30 |
| LIN-12R-20 | 20 | +0.030/+0.091 | 28 | 30 |
| LIN-12R-25 | 25 | +0.030/+0.091 | 35 | 40 |
| LIN-12R-30 | 30 | +0.040/+0.110 | 40 | 50 |
| LIN-12R-40 | 40 | +0.040/+0.115 | 52 | 60 |
| LIN-12R-50 | 50 | +0.050/+0.130 | 62 | 70 |

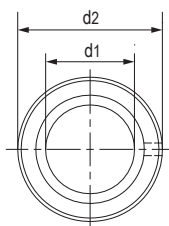
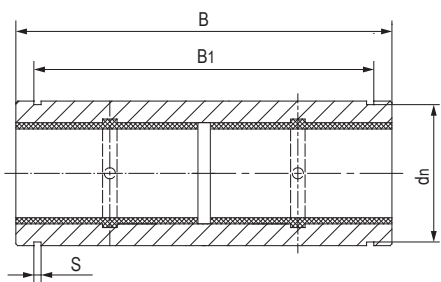
| 产品编码 Part No. | 轴径 Shaft [mm] | 座孔 Housing [mm] H7 | 公差 Tolerance [mm] | F max. [N] 最大动载荷 Dynamic Load P=5MPa | F max. [N] 最大静载荷 Static Load P=35MPa | 重量 Weight [g] |
|------------------|------------------|-----------------------|----------------------|--|--|------------------|
| LIN-12R-06B | 6 | 12 | 0/+0.018 | 600 | 4200 | 4 |
| LIN-12R-08B | 8 | 15 | 0/+0.018 | 650 | 4550 | 6 |
| LIN-12R-10 | 10 | 17 | 0/+0.018 | 650 | 4550 | 9 |
| LIN-12R-12 | 12 | 19 | 0/+0.021 | 840 | 5880 | 11 |
| LIN-12R-16 | 16 | 24 | 0/+0.021 | 1200 | 8400 | 17 |
| LIN-12R-20 | 20 | 28 | 0/+0.021 | 1500 | 10500 | 18 |
| LIN-12R-25 | 25 | 35 | 0/+0.025 | 2500 | 17500 | 41 |
| LIN-12R-30 | 30 | 40 | 0/+0.025 | 3750 | 26250 | 56 |
| LIN-12R-40 | 40 | 52 | 0/+0.030 | 6000 | 42000 | 113 |
| LIN-12R-50 | 50 | 62 | 0/+0.030 | 8750 | 61250 | 152 |

LIN-12RL 加长型塑料直线轴承 Long design plastic linear bearings



- 封闭式加长设计
 - 装配2个LIN-12滑动膜
 - 阳极氧化铝合金适配器
 - 卡簧轴向固定
 - 免维护、低噪音
 - 适用于污垢或灰尘环境
 - 使用温度-50℃/+90℃
- Closed design and increased the guide length
 - Assembled 2pcs liners LIN-12
 - Anodized aluminum adapter
 - Axial secured by circlips
 - Maintenance-free and low noise
 - Resistance to dirt and dust
 - Operation temperature -50℃/+90℃

标准规格 Standard specifications



产品编码 Part No.:

LIN-12RL-10

轴承内径 Inner diameter

加长型设计保持器 Long design housing

 LIN-12标准滑动膜
Standard liners LIN-12

座孔 Housing: H7 轴 Shaft: h6-h9

| 产品编码 Part No. | d ₁ [mm] | 公差 Tolerance [mm] | d ₂ [mm] | d _n [mm] | B [mm] | B ₁ [mm] | S [mm] |
|------------------|------------------------|----------------------|------------------------|------------------------|-----------|------------------------|-----------|
| LIN-12RL-10 | 10 | +0.03/+0.088 | 19 | 17.5 | 55 | 44 | 1.3 |
| LIN-12RL-12 | 12 | +0.03/+0.088 | 22 | 20.5 | 57 | 46 | 1.3 |
| LIN-12RL-16 | 16 | +0.03/+0.088 | 26 | 24.2 | 70 | 53 | 1.6 |
| LIN-12RL-20 | 20 | +0.03/+0.091 | 32 | 29.6 | 80 | 61 | 1.6 |
| LIN-12RL-25 | 25 | +0.03/+0.091 | 40 | 36.5 | 112 | 82 | 1.85 |
| LIN-12RL-30 | 30 | +0.03/+0.110 | 47 | 43.5 | 123 | 89 | 1.85 |

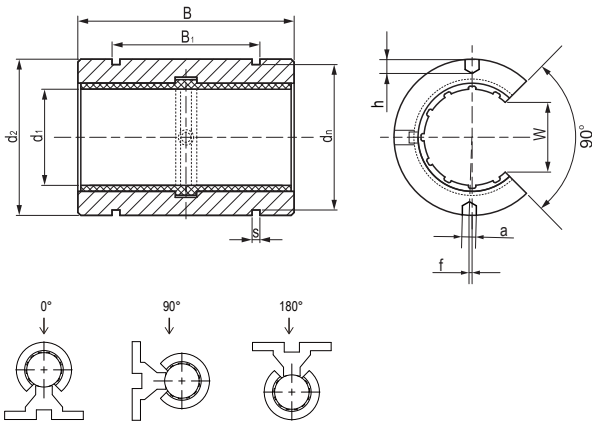
| 产品编码 Part No. | 轴径 Shaft [mm] | 座孔 Housing [mm] H7 | 公差 Tolerance [mm] | F max. [N] 最大动载荷 Dynamic Load P=5MPa | F max. [N] 最大静载荷 Static Load P=35MPa | 重量 Weight [g] |
|------------------|------------------|-----------------------|----------------------|--|--|------------------|
| LIN-12RL-10 | 6 | 12 | 0/+0.018 | 1300 | 9100 | 26 |
| LIN-12RL-12 | 8 | 16 | 0/+0.018 | 1680 | 11600 | 33 |
| LIN-12RL-16 | 10 | 19 | 0/+0.021 | 2400 | 16800 | 50 |
| LIN-12RL-20 | 12 | 22 | 0/+0.021 | 3000 | 21000 | 80 |
| LIN-12RL-25 | 16 | 26 | 0/+0.021 | 5000 | 35000 | 189 |
| LIN-12RL-30 | 20 | 32 | 0/+0.025 | 7500 | 52500 | 269 |

LIN-11RK 开口式直线轴承 Linear bearings, open



- 开口设计，配合支持轴
- 装配LIN-11K滑动膜
- 阳极氧化铝合金适配器
- 免维护、低噪音
- 适用于污垢或灰尘环境
- 使用温度-50℃/+90℃
- Open design for supported shafts
- Assembled LIN-11K liners
- Anodized aluminum adapter
- Maintenance-free and low noise
- Resistance to dirt and dust
- Operation temperature -50℃/+90℃

标准规格 Standard specifications



产品编码 Part No.:

LIN-11RK-10

- 内径 Inner diameter
- 开口式保持器
Open, aluminum adapter
- LIN-11K标准滑动膜
Standard liners LIN-11K

座孔 Housing: H7 轴 Shaft: h6-h9

| 产品编码 Part No. | d ₁ [mm] | 公差 Tolerance [mm] | d ₂ h7 [mm] | B h10 [mm] | B ₁ H10 [mm] | W-1 [mm] | s H10 [mm] | d ₂ h10 [mm] | a+0.1 [mm] | h [mm] | f ± 0.2 [mm] |
|------------------|------------------------|----------------------|---------------------------|---------------|----------------------------|-------------|---------------|----------------------------|---------------|-----------|-----------------|
| LIN-11RK-10 | 10 | +0.030/+0.088 | 19 | 29 | 21.6 | 7.3 | 1.30 | 17.5 | / | / | / |
| LIN-11RK-12 | 12 | +0.030/+0.088 | 22 | 32 | 22.6 | 9.0 | 1.30 | 20.5 | 3.0 | 1.2 | 1.33(7°) |
| LIN-11RK-16 | 16 | +0.030/+0.088 | 26 | 36 | 24.6 | 11.6 | 1.30 | 24.2 | 2.2 | 1.2 | / |
| LIN-11RK-20 | 20 | +0.030/+0.091 | 32 | 45 | 31.2 | 12.0 | 1.60 | 29.6 | 2.2 | 1.2 | / |
| LIN-11RK-25 | 25 | +0.030/+0.091 | 40 | 58 | 43.7 | 14.5 | 1.85 | 36.5 | 3.0 | 1.5 | -1.50(-4.3°) |
| LIN-11RK-30 | 30 | +0.040/+0.110 | 47 | 68 | 51.7 | 16.6 | 1.85 | 43.5 | 3.0 | 2.0 | 2.00(4.9°) |
| LIN-11RK-40 | 40 | +0.040/+0.115 | 62 | 80 | 60.3 | 21.0 | 2.15 | 57.8 | 3.0 | 2.0 | 1.50(2.8°) |
| LIN-11RK-50 | 50 | +0.050/+0.130 | 75 | 100 | 77.3 | 25.5 | 2.65 | 70.5 | 3.0 | 2.0 | 2.50(3.8°) |

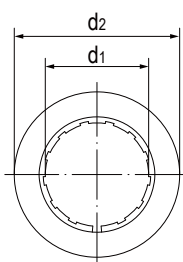
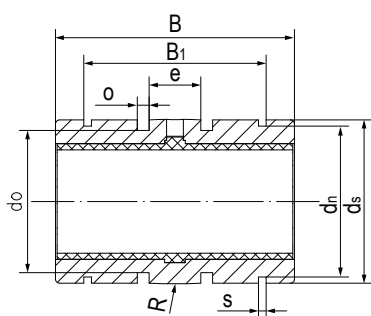
| 产品编码 Part No. | 轴径 Shaft [mm] | 座孔 Housing [mm] H7 | 公差 Tolerance [mm] | F max. [N] 最大动载荷 Dynamic Load P=5MPa | | | F max. [N] 最大静载荷 Static Load P=35MPa | | | 重量 Weight [g] |
|------------------|------------------|-----------------------|----------------------|---|-------|------|---|-------|-------|------------------|
| | | | | 0° | 90° | 180° | 0° | 90° | 180° | |
| LIN-11RK-10 | 10 | 19 | 0/+0.021 | 725 | 500 | 196 | 5075 | 3500 | 1370 | 9 |
| LIN-11RK-12 | 12 | 22 | 0/+0.021 | 960 | 635 | 240 | 6720 | 4445 | 1680 | 15 |
| LIN-11RK-16 | 16 | 26 | 0/+0.021 | 1440 | 990 | 396 | 10080 | 6943 | 2772 | 21 |
| LIN-11RK-20 | 20 | 32 | 0/+0.025 | 2250 | 1800 | 900 | 15750 | 12600 | 6300 | 37 |
| LIN-11RK-25 | 25 | 40 | 0/+0.025 | 3625 | 2953 | 1523 | 25375 | 20670 | 10658 | 78 |
| LIN-11RK-30 | 30 | 47 | 0/+0.025 | 5100 | 4250 | 2278 | 35700 | 29735 | 15948 | 122 |
| LIN-11RK-40 | 40 | 62 | 0/+0.030 | 8000 | 6810 | 3800 | 56000 | 47660 | 26600 | 256 |
| LIN-11RK-50 | 50 | 75 | 0/+0.030 | 12500 | 10750 | 6125 | 87500 | 75265 | 42875 | 442 |

LIN-11RS 调心直线轴承 Floating linear bearings, closed



- 封闭式自动调心设计
- 装配LIN-11滑动膜
- 阳极氧化铝合金适配器
- 卡簧轴向固定
- 免维护、低噪音
- 适用于污垢或灰尘环境
- 使用温度-50℃/+90℃
- Closed and self-aligning design
- Assembled LIN-11 liners
- Anodized aluminum adapter
- Axial secured by circlips
- Maintenance-free and low noise
- Resistance to dirt and dust
- Operation temperature -50℃/+90℃

标准规格 Standard specifications



产品编码 Part No.:

LIN-11RS-10

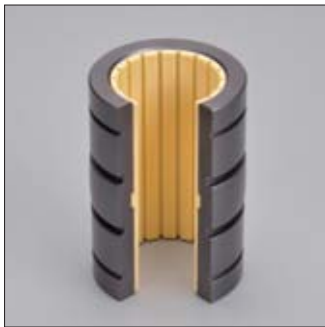
- 内径 Inner diameter
- 自调整保持器
Automatic alignment aluminum adapter
- LIN-11标准滑动膜
Standard liners LIN-11

座孔 Housing: H7 轴 Shaft: h6-h9

| 产品编码 Part No. | d ₁ [mm] | 公差 Tolerance [mm] | d ₂ h8 [mm] | B h10 [mm] | B ₁ H10 [mm] | s H10 [mm] | d _n h10 [mm] | d _s h10 [mm] | d ₀ h10 [mm] | o _{-0.1} [mm] | e [mm] | R [mm] |
|------------------|------------------------|----------------------|---------------------------|---------------|----------------------------|---------------|----------------------------|----------------------------|----------------------------|---------------------------|-----------|-----------|
| LIN-11RS-10 | 10 | +0.030/+0.088 | 18.8 | 28.9 | 21.8 | 1.30 | 17.5 | 18.5 | 15.4 | 1.86 | 5.0 | 13.0 |
| LIN-11RS-12 | 12 | +0.030/+0.088 | 21.8 | 31.9 | 22.8 | 1.30 | 20.5 | 21.5 | 18.4 | 1.86 | 6.0 | 18.0 |
| LIN-11RS-16 | 16 | +0.030/+0.088 | 25.8 | 35.9 | 24.9 | 1.30 | 24.2 | 25.5 | 20.7 | 2.86 | 8.0 | 32.0 |
| LIN-11RS-20 | 20 | +0.030/+0.091 | 31.8 | 44.8 | 31.5 | 1.60 | 29.6 | 31.5 | 26.7 | 2.86 | 10.0 | 50.0 |
| LIN-11RS-25 | 25 | +0.030/+0.091 | 39.8 | 57.8 | 44.1 | 1.85 | 36.5 | 39.5 | 34.7 | 2.86 | 12.5 | 39.0 |
| LIN-11RS-30 | 30 | +0.040/+0.110 | 46.7 | 67.8 | 52.1 | 1.85 | 43.5 | 46.0 | 41.7 | 2.86 | 15.0 | 57.0 |
| LIN-11RS-40 | 40 | +0.040/+0.115 | 61.7 | 79.8 | 60.9 | 2.15 | 57.8 | 61.0 | 56.7 | 2.86 | 20.0 | 100.0 |
| LIN-11RS-50 | 50 | +0.050/+0.130 | 74.7 | 99.8 | 78.0 | 2.65 | 70.5 | 74.0 | 69.7 | 2.86 | 25.0 | 157.0 |

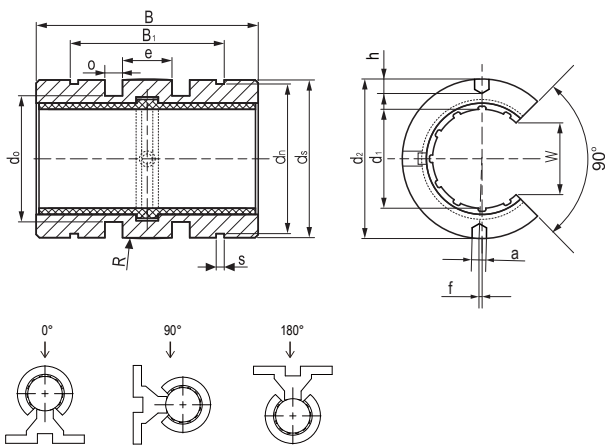
| 产品编码 Part No. | 轴径 Shaft [mm] | 座孔 Housing H7 [mm] | 公差 Tolerance [mm] | F max. [N] 最大动载荷 Dynamic Load P=5MPa | F max. [N] 最大静载荷 Static Load P=35MPa | 重量 Weight [g] |
|------------------|------------------|-----------------------|----------------------|--|--|------------------|
| LIN-11RS-10 | 10 | 19 | 0/+0.021 | 725 | 5075 | 12 |
| LIN-11RS-12 | 12 | 22 | 0/+0.021 | 960 | 6720 | 18 |
| LIN-11RS-16 | 16 | 26 | 0/+0.021 | 1440 | 10080 | 23 |
| LIN-11RS-20 | 20 | 32 | 0/+0.025 | 2250 | 15750 | 43 |
| LIN-11RS-25 | 25 | 40 | 0/+0.025 | 3625 | 25375 | 95 |
| LIN-11RS-30 | 30 | 47 | 0/+0.025 | 5100 | 35700 | 145 |
| LIN-11RS-40 | 40 | 62 | 0/+0.030 | 8000 | 56000 | 316 |
| LIN-11RS-50 | 50 | 75 | 0/+0.030 | 9000 | 87500 | 550 |

LIN-11RSK 调心直线轴承 Floating linear bearings, open



- 开口式自动调心设计
- 装配LIN-11K滑动膜
- 阳极氧化铝合金适配器
- 免维护、低噪音
- 适用于污垢或灰尘环境
- 使用温度-50℃/+90℃
- Open and self-aligning design
- Assembled LIN-11K liners
- Anodized aluminum adapter
- Maintenance-free and low noise
- Resistance to dirt and dust
- Operation temperature -50℃/+90℃

标准规格 Standard specifications



产品编码 Part No.:

LIN-11RSK-10

内径 Inner diameter

开口式自调整保持器

Open, automatic alignment aluminum adapter

LIN-11K标准滑动膜

Standard liners LIN-11K

座孔 Housing: H7 轴 Shaft: h6-h9

| 产品编码 Part No. | d ₁ [mm] | 公差 Tolerance [mm] | d ₂ h7 [mm] | d ₃ h10 [mm] | e [mm] | o+0.1 [mm] | d ₈ h10 [mm] | B ₁ H10 [mm] | s H10 [mm] | B h10 [mm] | R [mm] | W-1 [mm] | a+0.1 [mm] | h [mm] | f ± 0.2 [mm] |
|------------------|------------------------|----------------------|---------------------------|----------------------------|-----------|---------------|----------------------------|----------------------------|---------------|---------------|-----------|-------------|---------------|-----------|-----------------|
| LIN-11RSK-10 | 10 | +0.030/+0.088 | 18.8 | 18.5 | 5.0 | 1.86 | 15.4 | 21.8 | 1.30 | 28.9 | 13.0 | 7.3 | / | / | / |
| LIN-11RSK-12 | 12 | +0.030/+0.088 | 21.8 | 21.8 | 6.0 | 1.86 | 18.4 | 22.8 | 1.30 | 31.9 | 18.0 | 9.0 | 3.0 | 1.2 | 1.33(7°) |
| LIN-11RSK-16 | 16 | +0.030/+0.088 | 25.8 | 25.5 | 8.0 | 2.86 | 20.7 | 24.9 | 1.30 | 35.9 | 32.0 | 11.6 | 2.2 | 1.2 | / |
| LIN-11RSK-20 | 20 | +0.030/+0.091 | 31.8 | 31.5 | 10.0 | 2.86 | 26.7 | 31.5 | 1.60 | 44.8 | 50.0 | 12.0 | 2.2 | 1.2 | / |
| LIN-11RSK-25 | 25 | +0.030/+0.091 | 39.8 | 39.0 | 12.5 | 2.86 | 34.7 | 44.1 | 1.85 | 57.8 | 39.0 | 14.5 | 3.0 | 1.5 | -1.50(-4.3°) |
| LIN-11RSK-30 | 30 | +0.040/+0.110 | 46.7 | 46.0 | 15.0 | 2.86 | 41.7 | 52.1 | 1.85 | 67.8 | 57.0 | 16.6 | 3.0 | 2.0 | 2.00(4.9°) |
| LIN-11RSK-40 | 40 | +0.040/+0.115 | 61.7 | 61.0 | 20.0 | 2.86 | 56.7 | 60.9 | 2.15 | 79.8 | 100.0 | 21.0 | 3.0 | 2.0 | 1.50(2.8°) |
| LIN-11RSK-50 | 50 | +0.050/+0.130 | 74.7 | 74.0 | 25.0 | 2.86 | 69.7 | 78.0 | 2.65 | 99.8 | 157.0 | 25.5 | 3.0 | 2.0 | 2.50(3.8°) |

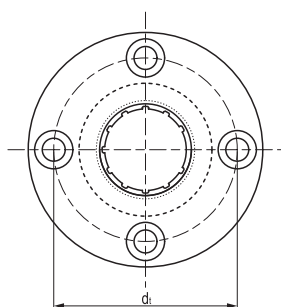
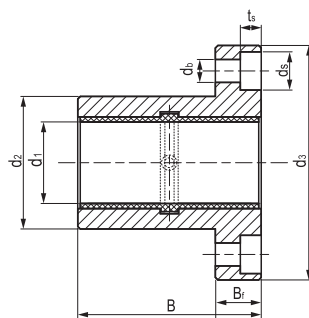
| 产品编码 Part No. | 轴径 Shaft [mm] | 座孔 Housing [mm] H7 | 公差 Tolerance [mm] | F max. [N] | | | F max. [N] | | | 重量 Weight [g] |
|------------------|------------------|-----------------------|----------------------|---------------------------|---------------------------|-----------|---------------------------|---------------------------|-----------|------------------|
| | | | | 最大动载荷 Dynamic Load P=5MPa | 最大静载荷 Static Load P=35MPa | 重量 Weight | 最大动载荷 Dynamic Load P=5MPa | 最大静载荷 Static Load P=35MPa | 重量 Weight | |
| | | | | 0° | 90° | 180° | 0° | 90° | 180° | |
| LIN-11RSK-10 | 10 | 19 | 0/+0.021 | 725 | 500 | 196 | 5075 | 3500 | 1370 | 9 |
| LIN-11RSK-12 | 12 | 22 | 0/+0.021 | 960 | 635 | 240 | 6720 | 4445 | 1680 | 14 |
| LIN-11RSK-16 | 16 | 26 | 0/+0.021 | 1440 | 990 | 396 | 10080 | 6943 | 2772 | 18 |
| LIN-11RSK-20 | 20 | 32 | 0/+0.025 | 2250 | 1800 | 900 | 15750 | 12600 | 6300 | 32 |
| LIN-11RSK-25 | 25 | 40 | 0/+0.025 | 3625 | 2953 | 1523 | 25375 | 20670 | 10658 | 71 |
| LIN-11RSK-30 | 30 | 47 | 0/+0.025 | 5100 | 4250 | 2278 | 35700 | 29735 | 15948 | 109 |
| LIN-11RSK-40 | 40 | 62 | 0/+0.030 | 8000 | 6810 | 3800 | 56000 | 47660 | 26600 | 237 |
| LIN-11RSK-50 | 50 | 75 | 0/+0.030 | 12500 | 10750 | 6125 | 87500 | 75265 | 42875 | 386 |

LIN-11RF 圆法兰直线轴承 Round flange linear bearings



- 封闭式圆法兰设计
- 装配LIN-11滑动膜
- 阳极氧化铝合金适配器
- 螺栓固定
- 免维护、低噪音
- 适用于污垢或灰尘环境
- 使用温度-50℃/+90℃
- Closed design with round flange
- Assembled LIN-11 liners
- Anodized aluminum adapter
- Secured by bolts
- Maintenance-free and low noise
- Resistance to dirt and dust
- Operation temperature -50℃/+90℃

标准规格 Standard specifications



产品编码 Part No.:

LIN-11RF-10

- 内径 Inner diameter
- 圆法兰保持器
Round flange aluminum adapter
- LIN-11标准滑动膜
Standard liners LIN-11

座孔 Housing: H7 轴 Shaft: h6-h9

| 产品编码 Part No. | d ₁ [mm] | 公差 Tolerance [mm] | d ₂ h7 [mm] | d ₁ [mm] | d ₃ [mm] | B [mm] | B _r [mm] | t _s [mm] | d _o [mm] | d _s [mm] |
|------------------|------------------------|----------------------|---------------------------|------------------------|------------------------|-----------|------------------------|------------------------|------------------------|------------------------|
| LIN-11RF-06B | 6 | +0.020/+0.068 | 12 | 21 | 29 | 22 | 8 | 3.1 | 3.5 | 6 |
| LIN-11RF-08B | 8 | +0.025/+0.083 | 16 | 24 | 32 | 25 | 8 | 3.1 | 3.5 | 6 |
| LIN-11RF-10 | 10 | +0.030/+0.088 | 19 | 29 | 39 | 29 | 9 | 4.1 | 4.5 | 7.5 |
| LIN-11RF-12 | 12 | +0.030/+0.088 | 22 | 32 | 42 | 32 | 9 | 4.1 | 4.5 | 7.5 |
| LIN-11RF-16 | 16 | +0.030/+0.088 | 26 | 36 | 46 | 36 | 9 | 4.1 | 4.5 | 7.5 |
| LIN-11RF-20 | 20 | +0.030/+0.091 | 32 | 43 | 54 | 45 | 11 | 5.1 | 5.5 | 9.0 |
| LIN-11RF-25 | 25 | +0.030/+0.091 | 40 | 51 | 62 | 58 | 11 | 5.1 | 5.5 | 9.0 |
| LIN-11RF-30 | 30 | +0.040/+0.110 | 47 | 62 | 76 | 68 | 14 | 6.1 | 6.6 | 11.0 |
| LIN-11RF-40 | 40 | +0.040/+0.115 | 62 | 80 | 98 | 80 | 18 | 8.1 | 9.0 | 14.0 |
| LIN-11RF-50 | 50 | +0.050/+0.130 | 75 | 94 | 112 | 100 | 18 | 8.1 | 9.0 | 14.0 |

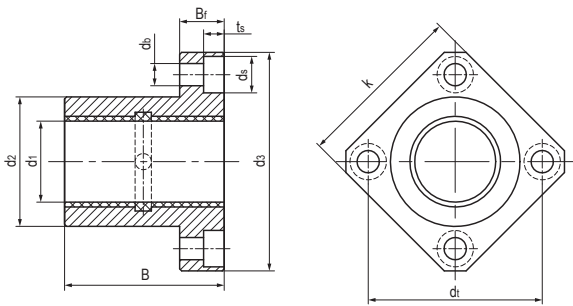
| 产品编码 Part No. | 轴径 Shaft [mm] | 座孔 Housing H7 [mm] | 公差 Tolerance [mm] | F max. [N] 最大动载荷 Dynamic Load P=5MPa | F max. [N] 最大静载荷 Static Load P=35MPa | 重量 Weight [g] |
|------------------|------------------|-----------------------|----------------------|--|--|------------------|
| LIN-11RF-06B | 6 | 12 | 0/+0.018 | 525 | 3675 | 15 |
| LIN-11RF-08B | 8 | 16 | 0/+0.018 | 960 | 6720 | 20 |
| LIN-11RF-10 | 10 | 19 | 0/+0.021 | 725 | 5075 | 34 |
| LIN-11RF-12 | 12 | 22 | 0/+0.021 | 960 | 6720 | 43 |
| LIN-11RF-16 | 16 | 26 | 0/+0.021 | 1440 | 10080 | 54 |
| LIN-11RF-20 | 20 | 32 | 0/+0.025 | 2250 | 15750 | 91 |
| LIN-11RF-25 | 25 | 40 | 0/+0.025 | 3625 | 25375 | 154 |
| LIN-11RF-30 | 30 | 47 | 0/+0.025 | 5100 | 35700 | 266 |
| LIN-11RF-40 | 40 | 62 | 0/+0.030 | 8000 | 56000 | 555 |
| LIN-11RF-50 | 50 | 75 | 0/+0.030 | 9000 | 87500 | 852 |

LIN-11RT 方法兰塑料直线轴承 Angular flang linear bearings



- 封闭式方法兰设计
- 装配LIN-11滑动膜
- 阳极氧化铝合金适配器
- 螺栓固定
- 免维护、低噪音
- 适用于污垢或灰尘环境
- 使用温度-50℃/+90℃
- Closed design with square flange
- Assembled LIN-11 liners
- Anodized aluminum adapter
- Secured by bolts
- Maintenance-free and low noise
- Resistance to dirt and dust
- Operation temperature -50℃/+90℃

标准规格 Standard specifications



产品编码 Part No.:

LIN-11RT-10

- 内径 Inner diameter
- 方法兰保持器 Angular flange aluminum adapter
- LIN-11标准滑动膜 Standard liners LIN-11

座孔 Housing: H7 轴 Shaft: h6-h9

| 产品编码 Part No. | d ₁ [mm] | 公差 Tolerance [mm] | d ₂ h7 [mm] | d ₃ [mm] | d ₄ [mm] | k [mm] | B [mm] | B ₁ [mm] | t ₁ [mm] | d ₅ [mm] | d _s [mm] |
|------------------|------------------------|----------------------|---------------------------|------------------------|------------------------|-----------|-----------|------------------------|------------------------|------------------------|------------------------|
| LIN-11RT-06B | 6 | +0.020/+0.068 | 12 | 29 | 21 | 23 | 22 | 8 | 3.1 | 3.5 | 6 |
| LIN-11RT-08B | 8 | +0.025/+0.083 | 16 | 32 | 24 | 25 | 25 | 8 | 3.1 | 3.5 | 6 |
| LIN-11RT-10 | 10 | +0.030/+0.088 | 19 | 39 | 29 | 30 | 29 | 9 | 4.1 | 4.5 | 7.5 |
| LIN-11RT-12 | 12 | +0.030/+0.088 | 22 | 42 | 32 | 32 | 32 | 9 | 4.1 | 4.5 | 7.5 |
| LIN-11RT-16 | 16 | +0.030/+0.088 | 26 | 46 | 36 | 35 | 36 | 9 | 4.1 | 4.5 | 7.5 |
| LIN-11RT-20 | 20 | +0.030/+0.091 | 32 | 54 | 43 | 42 | 45 | 11 | 5.1 | 5.5 | 9 |
| LIN-11RT-25 | 25 | +0.030/+0.091 | 40 | 62 | 51 | 50 | 58 | 11 | 5.1 | 5.5 | 9 |
| LIN-11RT-30 | 30 | +0.040/+0.110 | 47 | 76 | 62 | 60 | 68 | 14 | 6.1 | 6.6 | 11 |
| LIN-11RT-40 | 40 | +0.040/+0.115 | 62 | 98 | 80 | 75 | 80 | 18 | 8.1 | 9 | 14 |
| LIN-11RT-50 | 50 | +0.050/+0.130 | 75 | 112 | 94 | 88 | 100 | 18 | 8.1 | 9 | 14 |

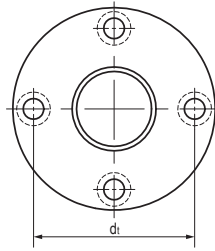
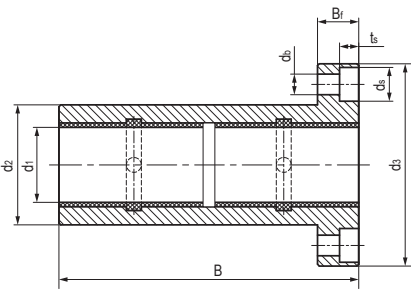
| 产品编码 Part No. | 轴径 Shaft [mm] | 座孔 Housing H7 [mm] | 公差 Tolerance [mm] | F max. [N] 最大动载荷 Dynamic Load P=5MPa | F max. [N] 最大静载荷 Static Load P=35MPa | 重量 Weight [g] |
|------------------|------------------|-----------------------|----------------------|--|--|------------------|
| LIN-11RT-06B | 6 | 12 | 0/+0.018 | 525 | 3675 | 15 |
| LIN-11RT-08B | 8 | 16 | 0/+0.018 | 960 | 6720 | 20 |
| LIN-11RT-10 | 10 | 19 | 0/+0.021 | 725 | 5075 | 34 |
| LIN-11RT-12 | 12 | 22 | 0/+0.021 | 960 | 6720 | 43 |
| LIN-11RT-16 | 16 | 26 | 0/+0.021 | 1440 | 10080 | 54 |
| LIN-11RT-20 | 20 | 32 | 0/+0.025 | 2250 | 15750 | 91 |
| LIN-11RT-25 | 25 | 40 | 0/+0.025 | 3625 | 25375 | 154 |
| LIN-11RT-30 | 30 | 47 | 0/+0.025 | 5100 | 35700 | 266 |
| LIN-11RT-40 | 40 | 62 | 0/+0.030 | 8000 | 56000 | 555 |
| LIN-11RT-50 | 50 | 75 | 0/+0.030 | 9000 | 87500 | 852 |

LIN-12RFL 加长型圆法兰塑料直线轴承 Round flange linear bearings(long design)



- 封闭式圆法兰加长设计
- 装配2个LIN-12滑动膜
- 阳极氧化铝合金适配器
- 螺栓固定
- 免维护、低噪音
- 适用于污垢或灰尘环境
- 使用温度-50℃/+90℃
- Closed design with round flange
- Assembled 2pcs liners LIN-12
- Anodized aluminum adapter
- Secured by bolts
- Maintenance-free and low noise
- Resistance to dirt and dust
- Operation temperature -50℃/+90℃

标准规格 Standard specifications



产品编码 Part No.:

LIN-12RFL-10

内径 Inner diameter

圆法兰加长型保持器
Round flange aluminum adapter (long design)

LIN-12标准滑动膜
Standard liners LIN-12

座孔, Housing: H7 轴 Shaft: h6-h9

| 产品编码 Part No. | d ₁ [mm] | 公差 Tolerance [mm] | d ₂ h7 [mm] | d ₃ [mm] | d _t [mm] | B [mm] | B ₁ [mm] | t _s [mm] | d _s [mm] | d _s [mm] |
|------------------|------------------------|----------------------|---------------------------|------------------------|------------------------|-----------|------------------------|------------------------|------------------------|------------------------|
| LIN-12RFL-10 | 10 | +0.030/+0.088 | 19 | 39 | 29 | 52 | 9 | 4.1 | 4.5 | 7.5 |
| LIN-12RFL-12 | 12 | +0.030/+0.088 | 22 | 42 | 32 | 57 | 9 | 4.1 | 4.5 | 7.5 |
| LIN-12RFL-16 | 16 | +0.030/+0.088 | 26 | 46 | 36 | 70 | 9 | 4.1 | 4.5 | 7.5 |
| LIN-12RFL-20 | 20 | +0.030/+0.091 | 32 | 54 | 43 | 80 | 11 | 5.1 | 5.5 | 9 |
| LIN-12RFL-25 | 25 | +0.030/+0.091 | 40 | 62 | 51 | 112 | 11 | 5.1 | 5.5 | 9 |
| LIN-12RFL-30 | 30 | +0.030/+0.110 | 47 | 76 | 62 | 123 | 14 | 6.1 | 6.6 | 11 |
| LIN-12RFL-40 | 40 | +0.030/+0.115 | 62 | 98 | 80 | 151 | 18 | 8.1 | 9 | 14 |
| LIN-12RFL-50 | 50 | +0.030/+0.130 | 75 | 112 | 94 | 192 | 18 | 8.1 | 9 | 14 |

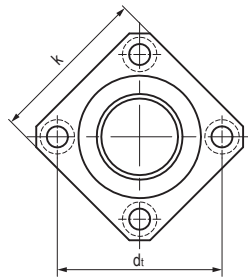
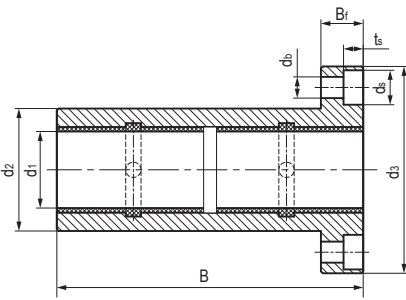
| 产品编码 Part No. | 轴径 Shaft [mm] | 座孔 Housing h7 [mm] | 公差 Tolerance [mm] | F max. [N] 最大动载荷 Dynamic Load P=5MPa | F max. [N] 最大静载荷 Static Load P=35MPa | 重量 Weight [g] |
|------------------|------------------|-----------------------|----------------------|--|--|------------------|
| LIN-12RFL-10 | 10 | 19 | 0/+0.021 | 1300 | 9100 | 44 |
| LIN-12RFL-12 | 12 | 22 | 0/+0.021 | 1680 | 11760 | 57 |
| LIN-12RFL-16 | 16 | 26 | 0/+0.021 | 2400 | 16800 | 79 |
| LIN-12RFL-20 | 20 | 32 | 0/+0.025 | 3000 | 21000 | 126 |
| LIN-12RFL-25 | 25 | 40 | 0/+0.025 | 5000 | 35000 | 249 |
| LIN-12RFL-30 | 30 | 47 | 0/+0.025 | 7500 | 52500 | 388 |
| LIN-12RFL-40 | 40 | 62 | 0/+0.030 | 12000 | 84000 | 835 |
| LIN-12RFL-50 | 50 | 75 | 0/+0.030 | 17500 | 122500 | 1352 |

LIN-12RTL加长型方法兰塑料直线轴承 Angular flang linear bearings(long design)



- 封闭式方法兰加长设计
- 装配2个LIN-12滑动膜
- 阳极氧化铝合金适配器
- 螺栓固定
- 免维护、低噪音
- 适用于污垢或灰尘环境
- 使用温度 -50℃/+90℃
- Closed design with square flange
- Assembled 2pcs liners LIN-12
- Anodized aluminum adapter
- Secured by bolts
- Maintenance-free and low noise
- Resistance to dirt and dust
- Operation temperature -50℃/+90℃

标准规格 Standard specifications



产品编码 Part No.:

LIN-12RTL-10

内径 Inner diameter

方法兰加长型保持器
Angular flang aluminum adapter (long design)

LIN-12标准滑动膜
Standard liners LIN-12

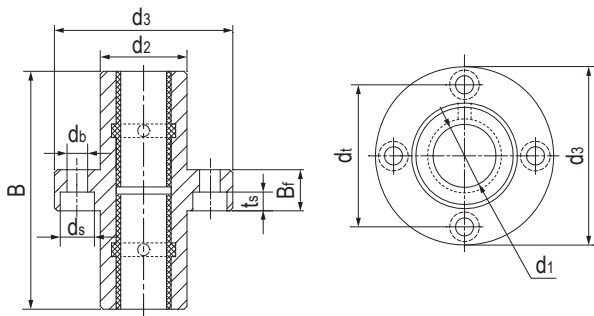
座孔 Housing: H7 轴 Shaft: h6-h9

| 产品编码 Part No. | d ₁ [mm] | 公差 Tolerance [mm] | d ₂ h7 [mm] | d ₃ [mm] | d ₄ [mm] | k [mm] | B [mm] | B _f [mm] | t _s [mm] | d ₅ [mm] | d ₆ [mm] |
|------------------|------------------------|----------------------|---------------------------|------------------------|------------------------|-----------|-----------|------------------------|------------------------|------------------------|------------------------|
| LIN-12RTL-10 | 10 | +0.030/+0.088 | 19 | 39 | 29 | 30 | 52 | 9 | 4.1 | 4.5 | 7.5 |
| LIN-12RTL-12 | 12 | +0.030/+0.088 | 22 | 42 | 32 | 32 | 57 | 9 | 4.1 | 4.5 | 7.5 |
| LIN-12RTL-16 | 16 | +0.030/+0.088 | 26 | 46 | 36 | 35 | 70 | 9 | 4.1 | 4.5 | 7.5 |
| LIN-12RTL-20 | 20 | +0.030/+0.091 | 32 | 54 | 43 | 42 | 80 | 11 | 5.1 | 5.5 | 9 |
| LIN-12RTL-25 | 25 | +0.030/+0.091 | 40 | 62 | 51 | 50 | 112 | 11 | 5.1 | 5.5 | 9 |
| LIN-12RTL-30 | 30 | +0.030/+0.110 | 47 | 76 | 62 | 60 | 123 | 14 | 6.1 | 6.6 | 11 |
| LIN-12RTL-40 | 40 | +0.030/+0.115 | 62 | 98 | 80 | 75 | 151 | 18 | 8.1 | 9 | 14 |
| LIN-12RTL-50 | 50 | +0.030/+0.130 | 75 | 112 | 94 | 88 | 192 | 18 | 8.1 | 9 | 14 |

| 产品编码 Part No. | 轴径 Shaft [mm] | 座孔 Housing h7 [mm] | 公差 Tolerance [mm] | F max. [N] 最大动载荷 Dynamic Load P=5MPa | F max. [N] 最大静载荷 Static Load P=35MPa | 重量 Weight [g] |
|------------------|------------------|-----------------------|----------------------|--|--|------------------|
| LIN-12RTL-10 | 10 | 19 | 0/+0.021 | 1300 | 9100 | 44 |
| LIN-12RTL-12 | 12 | 22 | 0/+0.021 | 1680 | 11760 | 57 |
| LIN-12RTL-16 | 16 | 26 | 0/+0.021 | 2400 | 16800 | 79 |
| LIN-12RTL-20 | 20 | 32 | 0/+0.025 | 3000 | 21000 | 126 |
| LIN-12RTL-25 | 25 | 40 | 0/+0.025 | 5000 | 35000 | 249 |
| LIN-12RTL-30 | 30 | 47 | 0/+0.025 | 7500 | 52500 | 388 |
| LIN-12RTL-40 | 40 | 62 | 0/+0.030 | 12000 | 84000 | 835 |
| LIN-12RTL-50 | 50 | 75 | 0/+0.030 | 17500 | 122500 | 1352 |

LIN-12RFM 加长型中圆法兰塑料直线轴承 Round middle flange linear bearings(long design)


- 封闭式、中间圆法兰加长设计
 - 装配2个LIN-12滑动膜
 - 阳极氧化铝合金适配器
 - 螺栓固定
 - 免维护、低噪音
 - 适用于污垢或灰尘环境
 - 使用温度-50℃/+90℃
- Closed design with round flange in the middle
 - Assembled 2pcs liners LIN-12
 - Anodized aluminum adapter
 - Secured by bolts
 - Maintenance-free and low noise
 - Resistance to dirt and dust
 - Operation temperature -50℃/+90℃

标准规格 Standard specifications


产品编码 Part No.:

LIN-12RFM-10

- 轴承内径 Inner Diameter
- 中圆法兰加长型保持器 Middle round flang aluminum adapter(long design)
- LIN-12标准滑动膜 Standard liners LIN-12

座孔 Housing: H7 轴 Shaft: h6-h9

| 产品编码 Part No. | d ₁ [mm] | 公差 Tolerance [mm] | d ₂ h7 [mm] | d ₃ [mm] | d _i [mm] | B [mm] | B _f [mm] | t _s [mm] | d _b [mm] | d _s [mm] |
|------------------|------------------------|----------------------|---------------------------|------------------------|------------------------|-----------|------------------------|------------------------|------------------------|------------------------|
| LIN-12RFM-10 | 10 | +0.030/+0.088 | 19 | 39 | 29 | 52 | 9 | 4.1 | 4.5 | 7.5 |
| LIN-12RFM-12 | 12 | +0.030/+0.088 | 22 | 42 | 32 | 57 | 9 | 4.1 | 4.5 | 7.5 |
| LIN-12RFM-16 | 16 | +0.030/+0.088 | 26 | 46 | 36 | 70 | 9 | 4.1 | 4.5 | 7.5 |
| LIN-12RFM-20 | 20 | +0.030/+0.091 | 32 | 54 | 43 | 80 | 11 | 5.1 | 5.5 | 9 |
| LIN-12RFM-25 | 25 | +0.030/+0.091 | 40 | 62 | 51 | 112 | 11 | 5.1 | 5.5 | 9 |
| LIN-12RFM-30 | 30 | +0.030/+0.110 | 47 | 76 | 62 | 123 | 14 | 6.1 | 6.6 | 11 |
| LIN-12RFM-40 | 40 | +0.030/+0.115 | 62 | 98 | 80 | 151 | 18 | 8.1 | 9 | 14 |
| LIN-12RFM-50 | 50 | +0.030/+0.130 | 75 | 112 | 94 | 192 | 18 | 8.1 | 9 | 14 |

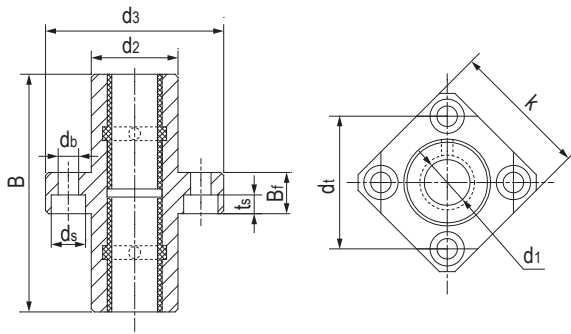
| 产品编码 Part No. | 轴径 Shaft [mm] | 座孔 Housing H7 [mm] | 公差 Tolerance [mm] | F max. [N] 最大动载荷 Dynamic Load P=5MPa | F max. [N] 最大静载荷 Static Load P=35MPa | 重量 Weight [g] |
|------------------|------------------|-----------------------|----------------------|--|--|------------------|
| LIN-12RFM-10 | 10 | 19 | 0/+0.021 | 1300 | 9100 | 44 |
| LIN-12RFM-12 | 12 | 22 | 0/+0.021 | 1680 | 11760 | 57 |
| LIN-12RFM-16 | 16 | 26 | 0/+0.021 | 2400 | 16800 | 79 |
| LIN-12RFM-20 | 20 | 32 | 0/+0.025 | 3000 | 21000 | 126 |
| LIN-12RFM-25 | 25 | 40 | 0/+0.025 | 5000 | 35000 | 249 |
| LIN-12RFM-30 | 30 | 47 | 0/+0.025 | 7500 | 52500 | 388 |
| LIN-12RFM-40 | 40 | 62 | 0/+0.030 | 12000 | 84000 | 835 |
| LIN-12RFM-50 | 50 | 75 | 0/+0.030 | 17500 | 122500 | 1352 |

LIN-12RTM 加长型方圆法兰塑料直线轴承 Angular flange linear bearings(long design)



- 封闭式、中间方法兰加长设计
- 装配2个LIN-12滑动膜
- 阳极氧化铝合金适配器
- 螺栓固定
- 免维护、低噪音
- 适用于污垢或灰尘环境
- 使用温度 -50℃/+90℃
- Closed design with square flange in the middle
- Assembled 2pcs liners LIN-12
- Anodized aluminum adapter
- Secured by bolts
- Maintenance-free and low noise
- Resistance to dirt and dust
- Operation temperature -50℃/+90℃

标准规格 Standard specifications



产品编码 Part No.:

LIN-12RTM-10

轴承内径 Inner Diameter

中方法兰加长型保持器
Middle angular flange aluminum adapter (long design)

LIN-12标准滑动膜
Standard liners LIN-12

座孔 Housing: H7 轴 Shaft: h6-h9

| 产品编码 Part No. | d ₁ [mm] | 公差 Tolerance [mm] | d ₂ h7 [mm] | d ₃ [mm] | d _i [mm] | k [mm] | B [mm] | B ₁ [mm] | t _s [mm] | d _b [mm] | d _s [mm] |
|------------------|------------------------|----------------------|---------------------------|------------------------|------------------------|-----------|-----------|------------------------|------------------------|------------------------|------------------------|
| LIN-12RTM-10 | 10 | +0.030/+0.088 | 19 | 39 | 29 | 30 | 52 | 9 | 4.1 | 4.5 | 7.5 |
| LIN-12RTM-12 | 12 | +0.030/+0.088 | 22 | 42 | 32 | 32 | 57 | 9 | 4.1 | 4.5 | 7.5 |
| LIN-12RTM-16 | 16 | +0.030/+0.088 | 26 | 46 | 36 | 35 | 70 | 9 | 4.1 | 4.5 | 7.5 |
| LIN-12RTM-20 | 20 | +0.030/+0.091 | 32 | 54 | 43 | 42 | 80 | 11 | 5.1 | 5.5 | 9 |
| LIN-12RTM-25 | 25 | +0.030/+0.091 | 40 | 62 | 51 | 50 | 112 | 11 | 5.1 | 5.5 | 9 |
| LIN-12RTM-30 | 30 | +0.030/+0.110 | 47 | 76 | 62 | 60 | 123 | 14 | 6.1 | 6.6 | 11 |
| LIN-12RTM-40 | 40 | +0.030/+0.115 | 62 | 98 | 80 | 75 | 151 | 18 | 8.1 | 9 | 14 |
| LIN-12RTM-50 | 50 | +0.030/+0.130 | 75 | 112 | 94 | 88 | 192 | 18 | 8.1 | 9 | 14 |

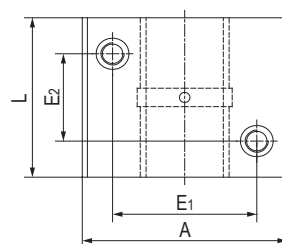
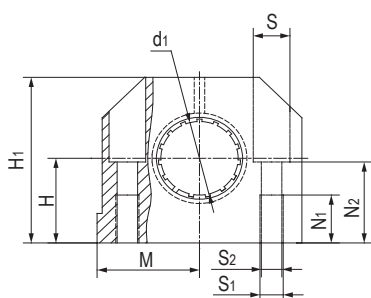
| 产品编码 Part No. | 轴径 Shaft [mm] | 座孔 Housing H7 [mm] | 公差 Tolerance [mm] | F max. [N] 最大动载荷 Dynamic Load P=5MPa | F max. [N] 最大静载荷 Static Load P=35MPa | 重量 Weight [g] |
|------------------|------------------|-----------------------|----------------------|--|--|------------------|
| LIN-12RTM-10 | 10 | 19 | 0/+0.021 | 1300 | 9100 | 44 |
| LIN-12RTM-12 | 12 | 22 | 0/+0.021 | 1680 | 11760 | 57 |
| LIN-12RTM-16 | 16 | 26 | 0/+0.021 | 2400 | 16800 | 79 |
| LIN-12RTM-20 | 20 | 32 | 0/+0.025 | 3000 | 21000 | 126 |
| LIN-12RTM-25 | 25 | 40 | 0/+0.025 | 5000 | 35000 | 249 |
| LIN-12RTM-30 | 30 | 47 | 0/+0.025 | 7500 | 52500 | 388 |
| LIN-12RTM-40 | 40 | 62 | 0/+0.030 | 12000 | 84000 | 835 |
| LIN-12RTM-50 | 50 | 75 | 0/+0.030 | 17500 | 122500 | 1352 |

LIN-11B 长型直线滑块轴承 Long linear pillow blocks



- 封闭式枕块设计
 - 装配LIN-11滑动膜
 - 阳极氧化铝合金适配器
 - 螺栓固定
 - 免维护、低噪音
 - 适用于污垢或灰尘环境
 - 使用温度-50℃/+90℃
- Closed block design
 - Assembled LIN-11 liners
 - Anodized aluminum adapter
 - Secured by bolts
 - Maintenance-free and low noise
 - Resistance to dirt and dust
 - Operation temperature -50℃/+90℃

标准规格 Standard specifications



产品编码 Part No.:

LIN-11B-12

轴承内径 Inner diameter

长型设计滑块 Long design block

 LIN-11标准滑动膜
Standard liners LIN-11

轴 Shaft: h6-h9

| 产品编码 Part No. | d ₁ [mm] | 公差 Tolerance [mm] | H +0.01 -0.014 [mm] | H ₁ [mm] | A [mm] | M [mm] | E ₁ ± 0.15 [mm] | E ₂ ± 0.15 [mm] | S [mm] | S ₁ [mm] | S ₂ [mm] | N ₂ [mm] | N ₁ [mm] | L [mm] |
|------------------|------------------------|----------------------|------------------------------|------------------------|-----------|-----------|-------------------------------|-------------------------------|-----------|------------------------|------------------------|------------------------|------------------------|-----------|
| LIN-11B-12 | 12 | +0.030/+0.088 | 18 | 35 | 43 | 21.5 | 32 | 23 | 8 | M5 | 4.3 | 16.5 | 11 | 39 |
| LIN-11B-16 | 16 | +0.030/+0.088 | 22 | 42 | 53 | 26.5 | 40 | 26 | 10 | M6 | 5.3 | 21 | 13 | 43 |
| LIN-11B-20 | 20 | +0.030/+0.091 | 25 | 50 | 60 | 30 | 45 | 32 | 11 | M8 | 6.6 | 24 | 18 | 54 |
| LIN-11B-25 | 25 | +0.030/+0.091 | 30 | 60 | 78 | 39 | 60 | 40 | 15 | M10 | 8.4 | 29 | 22 | 67 |
| LIN-11B-30 | 30 | +0.040/+0.110 | 35 | 70 | 87 | 43.5 | 68 | 45 | 15 | M10 | 8.4 | 34 | 22 | 79 |
| LIN-11B-40 | 40 | +0.040/+0.115 | 45 | 90 | 108 | 54 | 86 | 58 | 18 | M12 | 10.5 | 44 | 26 | 91 |
| LIN-11B-50 | 50 | +0.050/+0.130 | 50 | 105 | 132 | 66 | 108 | 50 | 20 | M16 | 13.5 | 49 | 34 | 113 |

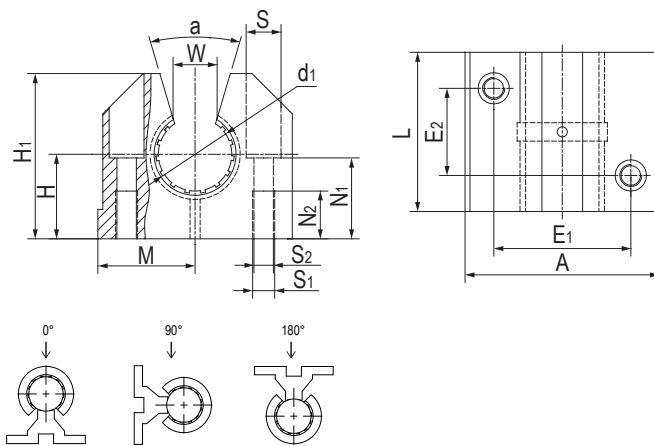
| 产品编码 Part No. | 轴径 Shaft [mm] | F max. [N] 最大动载荷 Dynamic Load P=5MPa | F max. [N] 最大静载荷 Static Load P=35MPa | 重量 Weight [g] |
|------------------|------------------|---|---|------------------|
| LIN-11B-12 | 12 | 960 | 6720 | 121 |
| LIN-11B-16 | 16 | 1440 | 10080 | 211 |
| LIN-11B-20 | 20 | 2250 | 15750 | 323 |
| LIN-11B-25 | 25 | 3625 | 25375 | 651 |
| LIN-11B-30 | 30 | 5100 | 35700 | 1050 |
| LIN-11B-40 | 40 | 8000 | 56000 | 1820 |
| LIN-11B-50 | 50 | 12500 | 87500 | 3250 |

LIN-11BK 开口型直线滑块轴承 Open linear pillow blocks



- 开口式枕块设计
 - 装配LIN-11滑动膜
 - 阳极氧化铝合金适配器
 - 螺栓固定
 - 免维护、低噪音
 - 适用于污垢或灰尘环境
 - 使用温度-50℃/+90℃
- Open block design
 - Assembled LIN-11K liners
 - Anodized aluminum adapter
 - Secured by bolts
 - Maintenance-free and low noise
 - Resistance to dirt and dust
 - Operation temperature -50℃/+90℃

标准规格 Standard specifications



产品编码 Part No.:

LIN-11BK-12

- 轴承内径 Inner diameter
- 开口设计滑块 Open design block
- LIN-11标准滑动膜 Standard liners LIN-11

轴 Shaft: h6-h9

| 产品编码 Part No. | d ₁ [mm] | 公差 Tolerance [mm] | H ^{+0.01} -0.014 [mm] | H ₁ [mm] | A [mm] | M [mm] | E ₁ ± 0.15 [mm] | E ₂ ± 0.15 [mm] | S [mm] | S ₁ [mm] | S ₂ [mm] | W-1 [mm] | N ₁ [mm] | a [°] | N ₂ [mm] | L [mm] |
|------------------|------------------------|----------------------|--------------------------------------|------------------------|-----------|-----------|-------------------------------|-------------------------------|-----------|------------------------|------------------------|-------------|------------------------|----------|------------------------|-----------|
| LIN-11BK-12 | 12 | +0.030/+0.088 | 18 | 28 | 43 | 21.5 | 32 | 23 | 8 | M5 | 4.3 | 10.2 | 16.5 | 78 | 11 | 39 |
| LIN-11BK-16 | 16 | +0.030/+0.088 | 22 | 35 | 53 | 26.5 | 40 | 26 | 10 | M6 | 5.3 | 11.6 | 21 | 78 | 13 | 43 |
| LIN-11BK-20 | 20 | +0.030/+0.091 | 25 | 42 | 60 | 30 | 45 | 32 | 11 | M8 | 6.6 | 12 | 24 | 60 | 18 | 54 |
| LIN-11BK-25 | 25 | +0.030/+0.091 | 30 | 51 | 78 | 39 | 60 | 40 | 15 | M10 | 8.4 | 14.5 | 29 | 60 | 22 | 67 |
| LIN-11BK-30 | 30 | +0.040/+0.110 | 35 | 60 | 87 | 43.5 | 68 | 45 | 15 | M10 | 8.4 | 16.6 | 34 | 57 | 22 | 79 |
| LIN-11BK-40 | 40 | +0.040/+0.115 | 45 | 77 | 108 | 54 | 86 | 58 | 18 | M12 | 10.5 | 21 | 44 | 56 | 26 | 91 |
| LIN-11BK-50 | 50 | +0.050/+0.130 | 50 | 88 | 132 | 66 | 106 | 50 | 20 | M16 | 13.5 | 25.5 | 49 | 54 | 34 | 113 |

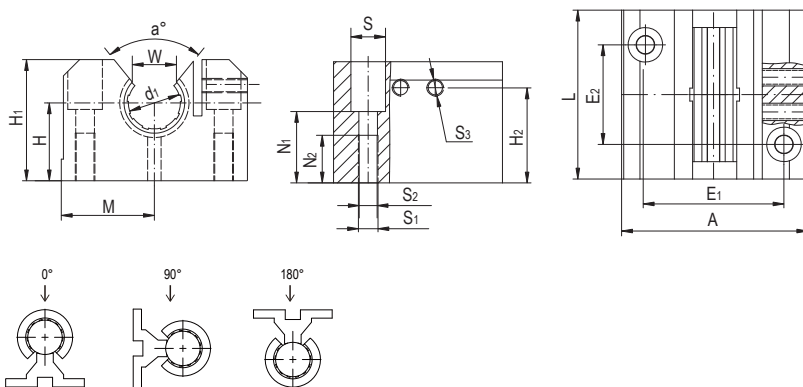
| 产品编码 Part No. | 轴径 Shaft [mm] | F max. [N] 最大动载荷 Dynamic Load P=5MPa | | | F max. [N] 最大静载荷 Static Load P=35MPa | | | 重量 Weight [g] |
|------------------|------------------|---|-------|------|---|-------|-------|------------------|
| | | 0° | 90° | 180° | 0° | 90° | 180° | |
| LIN-11BK-12 | 12 | 960 | 635 | 240 | 6720 | 4445 | 1680 | 95 |
| LIN-11BK-16 | 16 | 1440 | 990 | 396 | 10080 | 6943 | 2772 | 158 |
| LIN-11BK-20 | 20 | 2250 | 1800 | 900 | 15750 | 12600 | 6300 | 266 |
| LIN-11BK-25 | 25 | 3625 | 2953 | 1523 | 25375 | 20670 | 10658 | 530 |
| LIN-11BK-30 | 30 | 5100 | 4250 | 2278 | 35700 | 29735 | 15948 | 818 |
| LIN-11BK-40 | 40 | 8000 | 6810 | 3800 | 56000 | 47660 | 26600 | 1485 |
| LIN-11BK-50 | 50 | 12500 | 10750 | 6125 | 87500 | 75265 | 42875 | 2750 |

LIN-11BKE 开口可调节直线滑块轴承 Open and adjustable linear pillow blocks



- 开口式可调节枕块设计
- 装配LIN-11K滑动膜
- 阳极氧化铝合金适配器
- 螺栓固定
- 免维护、低噪音
- 适用于污垢或灰尘环境
- 使用温度-50℃/+90℃
- Open and adjustable block design
- Assembled LIN-11K liners
- Anodized aluminum adapter
- Secured by bolts
- Maintenance-free and low noise
- Resistance to dirt and dust
- Operation temperature -50℃/+90℃

标准规格 Standard specifications



产品编码 Part No.:

LIN-11BKE-12

- 轴承内径 Inner diameter
- 开口可调节滑块 Adjustable design block, open
- LIN-11标准滑动膜 Standard liners LIN-11

轴 Shaft: h6-h9

| 产品编码 Part No. | d ₁ [mm] | d ₁ 公差 Tolerance | H ^{+0.01} _{-0.014} [mm] | H ₁ [mm] | A [mm] | M [mm] | E ₁ ± 0.15 [mm] | E ₂ ± 0.15 [mm] | S [mm] | S ₁ [mm] | S ₂ [mm] | W-1 [mm] | N ₁ [mm] | a [°] | N ₂ [mm] | L [mm] | S ₃ [mm] | H ₂ [mm] |
|------------------|------------------------|-----------------------------------|--|------------------------|-----------|-----------|-------------------------------|-------------------------------|-----------|------------------------|------------------------|-------------|------------------------|----------|------------------------|-----------|------------------------|------------------------|
| LIN-11BKE-12 | 12 | X | 18 | 28 | 43 | 21.5 | 32 | 23 | 8 | M5 | 4.3 | 10.2 | 16.5 | 78 | 11 | 39 | M4 | 22 |
| LIN-11BKE-16 | 16 | X | 22 | 35 | 53 | 26.5 | 40 | 26 | 10 | M6 | 5.3 | 11.6 | 21 | 78 | 13 | 43 | M4 | 29 |
| LIN-11BKE-20 | 20 | X | 25 | 42 | 60 | 30 | 45 | 32 | 11 | M8 | 6.6 | 12 | 24 | 60 | 18 | 54 | M5 | 34 |
| LIN-11BKE-25 | 25 | X | 30 | 51 | 78 | 39 | 60 | 40 | 15 | M10 | 8.4 | 14.5 | 29 | 60 | 22 | 67 | M6 | 43 |
| LIN-11BKE-30 | 30 | X | 35 | 60 | 87 | 43.5 | 68 | 45 | 15 | M10 | 8.4 | 16.6 | 34 | 57 | 22 | 79 | M6 | 50 |
| LIN-11BKE-40 | 40 | X | 45 | 77 | 108 | 54 | 86 | 58 | 18 | M12 | 10.5 | 21 | 44 | 56 | 26 | 91 | M8 | 67 |
| LIN-11BKE-50 | 50 | X | 50 | 88 | 132 | 66 | 106 | 50 | 20 | M16 | 13.5 | 25.5 | 49 | 54 | 34 | 113 | M8 | 76 |

X=可调节adjustable

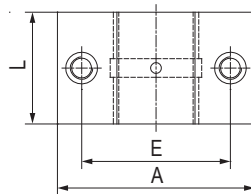
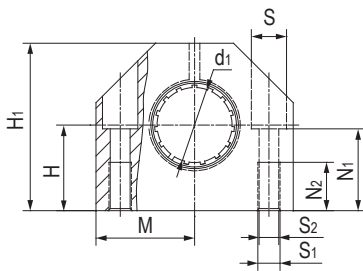
| 产品编码 Part No. | 轴径 Shaft [mm] | F max. [N] 最大动载荷 Dynamic Load P=5MPa | | | F max. [N] 最大静载荷 Static Load P=35MPa | | | 重量 Weight [g] |
|------------------|------------------|---|-------|------|---|-------|-------|------------------|
| | | 0° | 90° | 180° | 0° | 90° | 180° | |
| | | LIN-11BKE-12 | 12 | 960 | 635 | 240 | 6720 | |
| LIN-11BKE-16 | 16 | 1440 | 990 | 396 | 10080 | 6943 | 2772 | 150 |
| LIN-11BKE-20 | 20 | 2250 | 1800 | 900 | 15750 | 12600 | 6300 | 260 |
| LIN-11BKE-25 | 25 | 3625 | 2953 | 1523 | 25375 | 20670 | 10658 | 520 |
| LIN-11BKE-30 | 30 | 5100 | 4250 | 2278 | 35700 | 29735 | 15948 | 810 |
| LIN-11BKE-40 | 40 | 8000 | 6810 | 3800 | 56000 | 47660 | 26600 | 1480 |
| LIN-11BKE-50 | 50 | 12500 | 10750 | 6125 | 87500 | 75265 | 42875 | 2740 |

LIN-12B 短型直线滑块轴承 Short linear pillow blocks



- 封闭式短型枕块设计
 - 装配LIN-12滑动膜
 - 阳极氧化铝合金适配器
 - 螺栓固定
 - 免维护、低噪音
 - 适用于污垢或灰尘环境
 - 使用温度-50℃/+90℃
- Closed and short block design
 - Assembled LIN-12 liners
 - Anodized aluminum adapter
 - Secured by bolts
 - Maintenance-free and low noise
 - Resistance to dirt and dust
 - Operation temperature -50℃/+90℃

标准规格 Standard specifications



产品编码 Part No.:

LIN-12B-12

轴承内径 Inner diameter

短型设计滑块 Short design block

LIN-12 标准滑动膜
Standard liners LIN-12

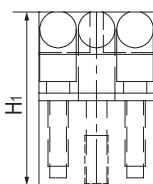
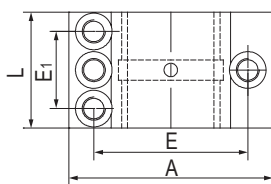
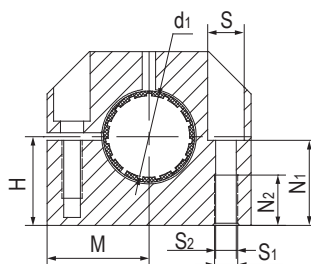
轴 Shaft: h6-h9

| 产品编码 Part No. | d ₁ [mm] | 公差 Tolerance [mm] | H ^{+0.01} _{-0.014} [mm] | H ₁ [mm] | A [mm] | M [mm] | E ± 0.15 [mm] | E _{1 ± 0.15} [mm] | S [mm] | S ₁ [mm] | S ₂ [mm] | N ₁ [mm] | N ₂ [mm] | L [mm] |
|------------------|------------------------|----------------------|---|------------------------|-----------|-----------|------------------|-------------------------------|-----------|------------------------|------------------------|------------------------|------------------------|-----------|
| LIN-12B-12 | 12 | +0.030/+0.088 | 17 | 33 | 40 | 20 | 29 | 18 | 8 | M5 | 4.3 | 16 | 11 | 28 |
| LIN-12B-16 | 16 | +0.030/+0.088 | 19 | 38 | 45 | 22.5 | 34 | 19 | 8 | M5 | 4.3 | 18 | 11 | 30 |
| LIN-12B-20 | 20 | +0.030/+0.091 | 23 | 45 | 53 | 26.5 | 40 | 20 | 9.5 | M6 | 5.3 | 22 | 13 | 30 |
| LIN-12B-25 | 25 | +0.030/+0.091 | 27 | 54 | 62 | 31 | 48 | 25.5 | 11 | M8 | 6.6 | 26 | 18 | 40 |
| LIN-12B-30 | 30 | +0.030/+0.110 | 30 | 60 | 67 | 33.5 | 53 | 30.5 | 11 | M8 | 6.6 | 29 | 18 | 50 |
| LIN-12B-40 | 40 | +0.030/+0.115 | 39 | 76 | 87 | 43.5 | 69 | 36 | 15 | M10 | 8.4 | 38 | 22 | 60 |
| LIN-12B-50 | 50 | +0.030/+0.130 | 47 | 92 | 103 | 51.5 | 82 | 44 | 18 | M12 | 10.5 | 46 | 26 | 70 |

| 产品编码 Part No. | 轴径 Shaft [mm] | F max. [N] 最大动载荷 Dynamic Load P=5MPa | F max. [N] 最大静载荷 Static Load P=35MPa | 重量 Weight [g] |
|------------------|------------------|--|--|------------------|
| LIN-12B-12 | 12 | 840 | 5880 | 78 |
| LIN-12B-16 | 16 | 1200 | 8400 | 106 |
| LIN-12B-20 | 20 | 1500 | 10500 | 132 |
| LIN-12B-25 | 25 | 2500 | 17500 | 253 |
| LIN-12B-30 | 30 | 3750 | 26250 | 374 |
| LIN-12B-40 | 40 | 6000 | 42000 | 713 |
| LIN-12B-50 | 50 | 8750 | 61250 | 1168 |

LIN-12BE 可调节直线滑块轴承 Adjustable linear pillow blocks


- 封闭式、短型可调节枕块设计
 - 装配LIN-12滑动膜
 - 阳极氧化铝合金适配器
 - 螺栓固定
 - 免维护、低噪音
 - 适用于污垢或灰尘环境
 - 使用温度-50℃/+90℃
- Closed and adjustable short block design
 - Assembled LIN-12 liners
 - Anodized aluminum adapter
 - Secured by bolts
 - Maintenance-free and low noise
 - Resistance to dirt and dust
 - Operation temperature -50℃/+90℃

标准规格 Standard specifications


产品编码 Part No.:

LIN-12BE-12


轴 Shaft: h6-h9

| 产品编码 Part No. | d ₁ [mm] | 公差 Tolerance [mm] | H +0.01 -0.014 [mm] | H ₁ [mm] | A [mm] | M [mm] | E ± 0.15 [mm] | E ₁ ± 0.15 [mm] | S [mm] | S ₁ [mm] | S ₂ [mm] | N ₁ [mm] | N ₂ [mm] | L [mm] |
|------------------|------------------------|----------------------|------------------------------|------------------------|-----------|-----------|------------------|-------------------------------|-----------|------------------------|------------------------|------------------------|------------------------|-----------|
| LIN-12BE-12 | 12 | X | 17 | 33 | 40 | 20 | 29 | 18 | 8 | 4.3 | M5 | 16 | 11 | 28 |
| LIN-12BE-16 | 16 | X | 19 | 38 | 45 | 22.5 | 34 | 19 | 8 | 4.3 | M5 | 18 | 11 | 30 |
| LIN-12BE-20 | 20 | X | 23 | 45 | 53 | 26.5 | 40 | 20 | 9.5 | 5.3 | M6 | 22 | 13 | 30 |
| LIN-12BE-25 | 25 | X | 27 | 54 | 62 | 31 | 48 | 25.5 | 11 | 6.6 | M8 | 26 | 18 | 40 |
| LIN-12BE-30 | 30 | X | 30 | 60 | 67 | 33.5 | 53 | 30.5 | 11 | 6.6 | M8 | 29 | 18 | 50 |
| LIN-12BE-40 | 40 | X | 39 | 76 | 87 | 43.5 | 69 | 36 | 15 | 8.4 | M10 | 38 | 22 | 60 |
| LIN-12BE-50 | 50 | X | 47 | 92 | 103 | 51.5 | 82 | 44 | 18 | 10.5 | M12 | 46 | 26 | 70 |

X=可调节adjustable

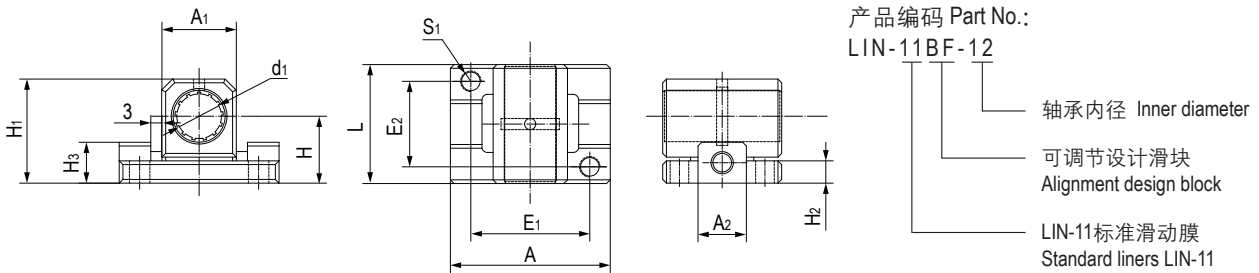
| 产品编码 Part No. | 轴径 Shaft [mm] | F max. [N] 最大动载荷 Dynamic Load P=5MPa | F max. [N] 最大静载荷 Static Load P=35MPa | 重量 Weight [g] |
|------------------|------------------|--|--|------------------|
| LIN-12BE-12 | 12 | 840 | 5880 | 78 |
| LIN-12BE-16 | 16 | 1200 | 8400 | 106 |
| LIN-12BE-20 | 20 | 1500 | 10500 | 132 |
| LIN-12BE-25 | 25 | 2500 | 17500 | 253 |
| LIN-12BE-30 | 30 | 3750 | 26250 | 374 |
| LIN-12BE-40 | 40 | 6000 | 42000 | 713 |
| LIN-12BE-50 | 50 | 8750 | 61250 | 1168 |

LIN-11BF 封闭式浮动直线滑块轴承 Closed and floating pillow blocks



- 封闭式浮动设计
 - 装配标准LIN-11滑动膜
 - 补偿平行度误差 $\pm 3.0\text{mm}$
 - 补偿对中误差 $\pm 3.5^\circ$
 - 阳极氧化铝合金适配器
 - 免维护、低噪音
 - 适用于污垢或灰尘环境
 - 使用温度 $-50^\circ\text{C}/+90^\circ\text{C}$
- Closed and floating design
 - Assembled standard liner LIN-11
 - Compensation of parallelism errors $\pm 3.0\text{mm}$
 - Compensation of misalignment errors $\pm 3.5^\circ$
 - Anodized aluminum adapter
 - Maintenance-free and low noise
 - Resistance to dirt and dust
 - Operation temperature $-50^\circ\text{C}/+90^\circ\text{C}$

标准规格 Standard specifications



轴 Shaft: h6-h9

| 产品编码 Part No. | d_1 [mm] | 公差 Tolerance [mm] | $H \pm 0.01$ [mm] | H_1 [mm] | A [mm] | $E_1 \pm 0.15$ [mm] | $E_2 \pm 0.15$ [mm] | S_1 [mm] | A_1 [mm] | A_2 [mm] | H_2 [mm] | H_3 [mm] | L [mm] |
|------------------|---------------|----------------------|----------------------|---------------|-------------|------------------------|------------------------|---------------|---------------|---------------|---------------|---------------|-------------|
| LIN-11BF-12 | 12 | +0.030/+0.088 | 18 | 28 | 43 | 32 | 23 | M5 | 20 | 13 | 6 | 11 | 32 |
| LIN-11BF-16 | 16 | +0.030/+0.088 | 22 | 35 | 53 | 40 | 26 | M6 | 26 | 15 | 7 | 11 | 36 |
| LIN-11BF-20 | 20 | +0.030/+0.091 | 25 | 41 | 60 | 45 | 32 | M8 | 32 | 19 | 7 | 12.5 | 45 |
| LIN-11BF-25 | 25 | +0.030/+0.091 | 30 | 50 | 78 | 60 | 40 | M10 | 40 | 23 | 9 | 15 | 58 |
| LIN-11BF-30 | 30 | +0.040/+0.110 | 35 | 59 | 87 | 68 | 45 | M10 | 48 | 28 | 10 | 58 | 68 |
| LIN-11BF-40 | 40 | +0.040/+0.115 | 45 | 76 | 108 | 86 | 58 | M12 | 62 | 80 | 20 | 20 | 80 |
| LIN-11BF-50 | 50 | +0.050/+0.130 | 50 | 89 | 132 | 108 | 50 | M16 | 78 | 100 | 24 | 24 | 100 |

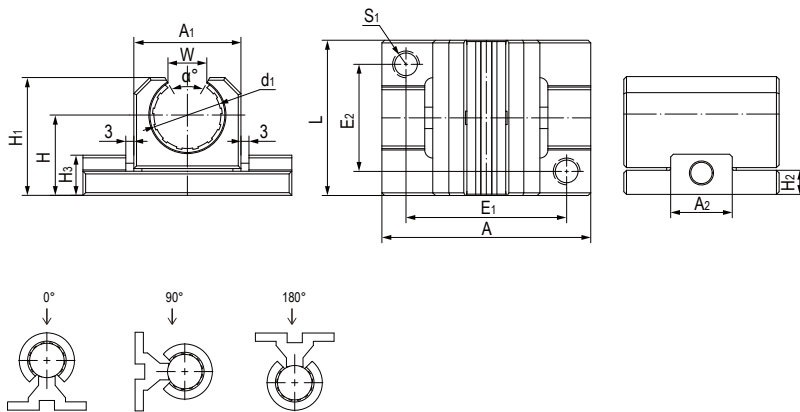
| 产品编码 Part No. | 轴径 Shaft [mm] | F max. [N] 最大动载荷 Dynamic Load | F max. [N] 最大静载荷 Static Load | 重量 Weight [g] |
|------------------|------------------|----------------------------------|---------------------------------|------------------|
| LIN-11BF-12 | 12 | 960 | 6000 | 50 |
| LIN-11BF-16 | 16 | 1440 | 7500 | 80 |
| LIN-11BF-20 | 20 | 2250 | 10800 | 130 |
| LIN-11BF-25 | 25 | 3625 | 18000 | 280 |
| LIN-11BF-30 | 30 | 5100 | 24000 | 430 |
| LIN-11BF-40 | 40 | 8000 | 37500 | 850 |
| LIN-11BF-50 | 50 | 12500 | 45000 | 1550 |

LIN-11BFK 开口式浮动直线滑块轴承 Opening and floating pillow blocks



- 开口式浮动设计
 - 装配标准LIN-11K滑动膜
 - 补偿平行度误差 $\pm 3.0\text{mm}$
 - 补偿对中误差 $\pm 3.5^\circ$
 - 阳极氧化铝合金适配器
 - 免维护、低噪音
 - 适用于污垢或灰尘环境
 - 使用温度 $-50^\circ\text{C}/+90^\circ\text{C}$
- Opening and floating design
 - Assembled standard liner LIN-11K
 - Compensation of parallelism errors $\pm 3.0\text{mm}$
 - Compensation of misalignment errors $\pm 3.5^\circ$
 - Anodized aluminum adapter
 - Maintenance-free and low noise
 - Resistance to dirt and dust
 - Operation temperature $-50^\circ\text{C}/+90^\circ\text{C}$

标准规格 Standard specifications



产品编码 Part No.:

LIN-11BFK-12

- 轴承内径 Inner diameter
- 可调节设计滑块 Alignment design block
- LIN-11K 标准滑动膜 Standard liners LIN-11K

轴 Shaft: h6-h9

| 产品编码 Part No. | d_1 [mm] | 公差 Tolerance [mm] | $H \pm 0.01$ [mm] | H_1 [mm] | A [mm] | $W-1$ [mm] | $E_1 \pm 0.15$ [mm] | $E_2 \pm 0.15$ [mm] | S_1 [mm] | A_1 [mm] | A_2 [mm] | H_2 [mm] | H_3 [mm] | α [°] | L [mm] |
|------------------|---------------|----------------------|----------------------|---------------|-------------|---------------|------------------------|------------------------|---------------|---------------|---------------|---------------|---------------|-----------------|-------------|
| LIN-11BFK-12 | 12 | +0.030/+0.088 | 18 | 24.5 | 43 | 10.2 | 32 | 23 | M5 | 20 | 13 | 6 | 11 | 90° | 32 |
| LIN-11BFK-16 | 16 | +0.030/+0.088 | 22 | 30.5 | 53 | 11.6 | 40 | 26 | M6 | 26 | 15 | 7 | 11 | 90° | 36 |
| LIN-11BFK-20 | 20 | +0.030/+0.091 | 25 | 37 | 60 | 12 | 45 | 32 | M8 | 32 | 19 | 7 | 12.5 | 90° | 45 |
| LIN-11BFK-25 | 25 | +0.030/+0.091 | 30 | 44 | 78 | 14.5 | 60 | 40 | M10 | 40 | 23 | 9 | 15 | 90° | 58 |
| LIN-11BFK-30 | 30 | +0.040/+0.110 | 35 | 52.5 | 87 | 16.8 | 68 | 45 | M10 | 48 | 28 | 10 | 15 | 90° | 68 |
| LIN-11BFK-40 | 40 | +0.040/+0.115 | 45 | 69 | 108 | 21.0 | 86 | 58 | M12 | 62 | 80 | 20 | 20 | 90° | 80 |
| LIN-11BFK-50 | 50 | +0.050/+0.130 | 50 | 80 | 132 | 25.5 | 108 | 50 | M16 | 78 | 100 | 24 | 24 | 90° | 100 |

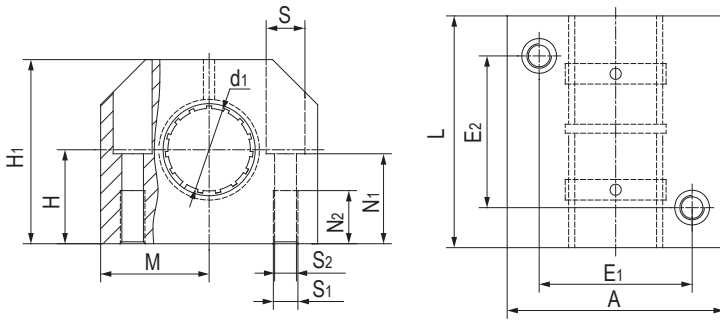
| 产品编码 Part No. | 轴径 Shaft [mm] | F max. [N] 最大动载荷 Dynamic Load | | | F max. [N] 最大静载荷 Static Load | | | 重量 Weight [g] |
|------------------|------------------|----------------------------------|-------|------|---------------------------------|-------|-------|------------------|
| | | 0° | 90° | 180° | 0° | 90° | 180° | |
| LIN-11BFK-12 | 12 | 960 | 635 | 240 | 6000 | 4445 | 1680 | 40 |
| LIN-11BFK-16 | 16 | 1440 | 990 | 396 | 7500 | 6943 | 2772 | 70 |
| LIN-11BFK-20 | 20 | 2250 | 1800 | 900 | 10800 | 12600 | 6300 | 115 |
| LIN-11BFK-25 | 25 | 3625 | 2953 | 1523 | 18000 | 20670 | 10658 | 240 |
| LIN-11BFK-30 | 30 | 5100 | 4250 | 2278 | 24000 | 29735 | 15948 | 370 |
| LIN-11BFK-40 | 40 | 8000 | 6810 | 3800 | 37500 | 47660 | 26600 | 750 |
| LIN-11BFK-50 | 50 | 12500 | 10750 | 6125 | 45000 | 75265 | 42875 | 1400 |

LIN-12BL 加长型直线滑块轴承 Long design pillow blocks



- 封闭式加长型枕块设计
- 装配2个LIN-12滑动膜
- 阳极氧化铝合金适配器
- 螺栓固定
- 免维护、低噪音
- 适用于污垢或灰尘环境
- 使用温度-50℃/+90℃
- Closed block design and increased the guide length
- Assembled 2pcs liners LIN-12
- Anodized aluminum adapter
- Secured by bolts
- Maintenance-free and low noise
- Resistance to dirt and dust
- Operation temperature -50℃/+90℃

标准规格 Standard specifications



产品编码 Part No.:

LIN-12BL-12

轴承内径 Inner diameter

加长型设计滑块 Long design block

LIN-12标准滑动膜
Standard liners LIN-12

轴 Shaft: h6-h9

| 产品编码 Part No. | d ₁ [mm] | 公差 Tolerance [mm] | H +0.01 -0.014 [mm] | H ₁ [mm] | A [mm] | M [mm] | E ± 0.15 [mm] | E ₁ ± 0.15 [mm] | S [mm] | S ₁ [mm] | S ₂ [mm] | N ₁ [mm] | N ₂ [mm] | L [mm] |
|------------------|------------------------|----------------------|------------------------------|------------------------|-----------|-----------|------------------|-------------------------------|-----------|------------------------|------------------------|------------------------|------------------------|-----------|
| LIN-12BL-12 | 12 | +0.030/+0.088 | 17 | 33 | 40 | 20 | 29 | 35 | 8 | 4.3 | M5 | 16 | 11 | 60 |
| LIN-12BL-16 | 16 | +0.030/+0.088 | 19 | 38 | 45 | 22.5 | 34 | 40 | 8 | 4.3 | M5 | 18 | 11 | 65 |
| LIN-12BL-20 | 20 | +0.030/+0.091 | 23 | 45 | 53 | 26.5 | 40 | 45 | 9.5 | 5.3 | M6 | 22 | 13 | 65 |
| LIN-12BL-25 | 25 | +0.030/+0.091 | 27 | 54 | 62 | 31 | 48 | 55 | 11 | 6.6 | M8 | 26 | 18 | 85 |
| LIN-12BL-30 | 30 | +0.040/+0.110 | 30 | 60 | 67 | 33.5 | 53 | 70 | 11 | 6.6 | M8 | 29 | 18 | 105 |
| LIN-12BL-40 | 40 | +0.040/+0.115 | 39 | 76 | 87 | 43.5 | 69 | 85 | 15 | 8.4 | M10 | 38 | 22 | 125 |
| LIN-12BL-50 | 50 | +0.040/+0.130 | 47 | 92 | 103 | 51.5 | 82 | 100 | 18 | 10.5 | M12 | 46 | 26 | 145 |

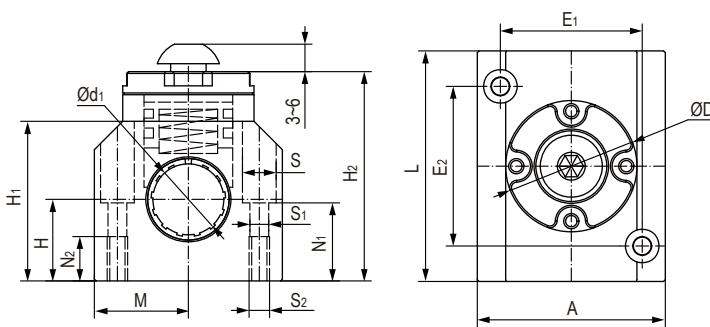
| 产品编码 Part No. | 轴径 Shaft [mm] | F max. [N] 最大动载荷 Dynamic Load P=5MPa | F max. [N] 最大静载荷 Static Load P=35MPa | 重量 Weight [g] |
|------------------|------------------|--|--|------------------|
| LIN-12BL-12 | 12 | 1680 | 11600 | 170 |
| LIN-12BL-16 | 16 | 2400 | 16800 | 250 |
| LIN-12BL-20 | 20 | 3000 | 21000 | 300 |
| LIN-12BL-25 | 25 | 5000 | 35000 | 550 |
| LIN-12BL-30 | 30 | 7500 | 52500 | 750 |
| LIN-12BL-40 | 40 | 12000 | 84000 | 1500 |
| LIN-12BL-50 | 50 | 17500 | 122500 | 2400 |

LIN-12BLP 预紧加长型直线轴承滑块 Preload and long design pillow blocks



- 封闭式加长型枕块设计
- 装配2个LIN-12滑动膜
- 带预紧力调节装置
- 阳极氧化铝合金适配器
- 免维护、低噪音
- 适用于污垢或灰尘环境
- 使用温度-50℃/+90℃
- Closed block design and increased the guide length
- Assembled 2pcs liners LIN-12
- Preload adjustable device
- Anodized aluminum adapter
- Maintenance-free and low noise
- Resistance to dirt and dust
- Operation temperature -50℃/+90℃

标准规格 Standard specifications



产品编码 Part No.:

LIN-12BLP-12

轴承内径 Inner diameter

加长型预紧设计 Preload long design

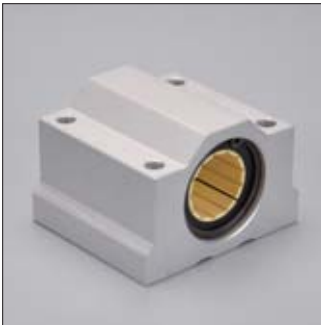
 LIN-12标准滑动膜
Standard liners LIN-12

轴 Shaft: h6-h9

| 产品编码 Part No. | d_1 [mm] | 公差 Tolerance [mm] | H $+0.01$ -0.014 [mm] | H_1 [mm] | H_2 [mm] | A [mm] | M [mm] | $E \pm 0.15$ [mm] | $E_1 \pm 0.15$ [mm] | S [mm] | S_1 [mm] | S_2 [mm] | N_1 [mm] | N_2 [mm] | D [mm] | L [mm] |
|------------------|---------------|----------------------|----------------------------------|---------------|---------------|-----------|-----------|----------------------|------------------------|-----------|---------------|---------------|---------------|---------------|-----------|-----------|
| LIN-12BLP-12 | 12 | +0.030/+0.088 | 17 | 33 | 43 | 40 | 20 | 29 | 35 | 8 | 4.3 | M5 | 16 | 11 | 28 | 60 |
| LIN-12BLP-16 | 16 | +0.030/+0.088 | 19 | 38 | 50 | 45 | 22.5 | 34 | 40 | 8 | 4.3 | M5 | 18 | 11 | 32 | 65 |
| LIN-12BLP-20 | 20 | +0.030/+0.091 | 23 | 45 | 59 | 53 | 26.5 | 40 | 45 | 9.5 | 5.3 | M6 | 22 | 13 | 37 | 65 |
| LIN-12BLP-25 | 25 | +0.030/+0.091 | 27 | 54 | 70 | 62 | 31 | 48 | 55 | 11 | 6.6 | M8 | 26 | 18 | 42 | 85 |
| LIN-12BLP-30 | 30 | +0.040/+0.110 | 30 | 60 | 76 | 67 | 33.5 | 53 | 70 | 11 | 6.6 | M8 | 29 | 18 | 48 | 105 |

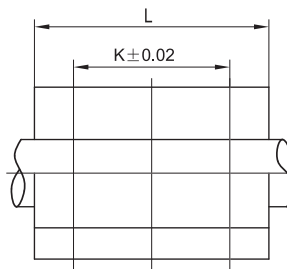
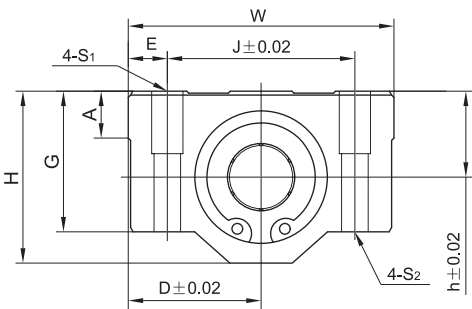
| 产品编码 Part No. | 轴径 Shaft [mm] | F max. [N] 最大动载荷 Dynamic Load P=5MPa | F max. [N] 最大静载荷 Static Load P=35MPa | 重量 Weight [g] |
|------------------|------------------|--|--|------------------|
| LIN-12BLP-12 | 12 | 1200 | 8286 | 189 |
| LIN-12BLP-16 | 16 | 1720 | 12040 | 261 |
| LIN-12BLP-20 | 20 | 1900 | 13300 | 399 |
| LIN-12BLP-25 | 25 | 3250 | 22750 | 639 |
| LIN-12BLP-30 | 30 | 3900 | 27300 | 931 |

LIN-11G 标准设计直线轴承座 Housing bearings, standard design



- 封闭式带轴承座设计
- 装配LIN-11R直线轴承
- 阳极氧化铝合金座孔
- 螺栓固定
- 免维护、低噪音
- 适用于污垢或灰尘环境
- 使用温度-50℃/+90℃
- Closed design with housing
- Assembled linear bearings LIN-11R
- Anodized aluminum housing
- Secured by bolts
- Maintenance-free and low noise
- Resistance to dirt and dust
- Operation temperature -50℃/+90℃

标准规格 Standard specifications



产品编码 Part No.:

LIN-11G-16

轴承内径 Inner diameter

标准设计直线轴承座

Pillow block, standard design

LIN-11R直线轴承

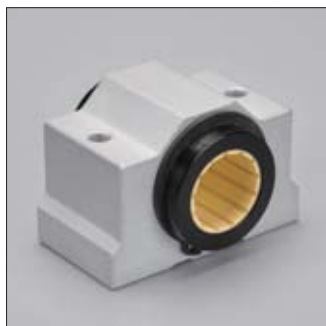
Standard bearings LIN-11R

轴 Shaft: h6-h9

| 产品编码 Part No. | 内装轴承 Bearing [mm] | 轴径 Shaft [mm] | 尺寸 Size [mm] | | | | | | | | | | | |
|------------------|-------------------------|---------------------|--------------|----|-----|------|------|----|-----|-----|----------------|----------------|----|-----|
| | | | h | D | W | H | G | A | J | E | S ₁ | S ₂ | K | L |
| LIN-11G-12 | LIN-11R-12 | 12 | 15 | 22 | 44 | 30 | 24 | 8 | 33 | 5.5 | M5*12 | Φ4.3 | 26 | 39 |
| LIN-11G-16 | LIN-11R-16 | 16 | 19 | 25 | 50 | 38.5 | 32.5 | 9 | 36 | 7 | M5*12 | Φ4.3 | 34 | 44 |
| LIN-11G-20 | LIN-11R-20 | 20 | 21 | 27 | 54 | 41 | 35 | 11 | 40 | 7 | M6*12 | Φ5.2 | 40 | 53 |
| LIN-11G-25 | LIN-11R-25 | 25 | 26 | 38 | 76 | 51.5 | 41 | 12 | 54 | 11 | M8*12 | Φ7 | 50 | 67 |
| LIN-11G-30 | LIN-11R-30 | 30 | 30 | 39 | 78 | 59.5 | 49 | 15 | 58 | 10 | M8*12 | Φ7 | 58 | 76 |
| LIN-11G-40 | LIN-11R-40 | 40 | 40 | 51 | 102 | 78 | 62 | 20 | 80 | 11 | M10*12 | Φ8.7 | 60 | 90 |
| LIN-11G-50 | LIN-11R-50 | 50 | 52 | 61 | 122 | 102 | 80 | 24 | 100 | 11 | M10*12 | Φ8.7 | 80 | 110 |

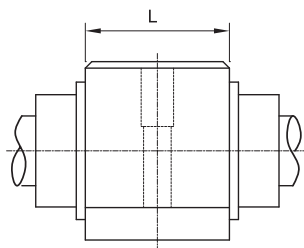
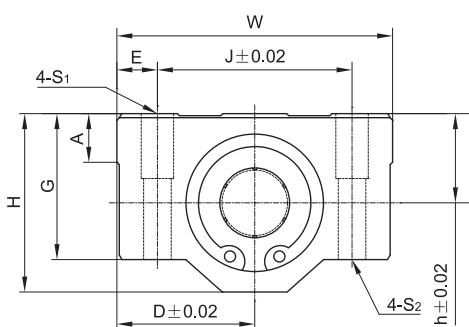
| 产品编码 Part No. | 内径 I.D [mm] | 公差 Tolerance [mm] | F max. [N] | | 重量 Weight [g] |
|------------------|----------------|----------------------|------------------------------|------------------------------|------------------|
| | | | 最大动载荷 Dynamic Load P=5MPa | 最大静载荷 Static Load P=35MPa | |
| LIN-11G-12 | 12 | +0.030/+0.088 | 960 | 6720 | 79 |
| LIN-11G-16 | 16 | +0.030/+0.088 | 1440 | 10080 | 125 |
| LIN-11G-20 | 20 | +0.030/+0.091 | 2250 | 15750 | 159 |
| LIN-11G-25 | 25 | +0.030/+0.091 | 3625 | 25375 | 343 |
| LIN-11G-30 | 30 | +0.040/+0.110 | 5100 | 35700 | 450 |
| LIN-11G-40 | 40 | +0.040/+0.115 | 8000 | 56000 | 1021 |
| LIN-11G-50 | 50 | +0.040/+0.130 | 9000 | 87500 | 1871 |

LIN-11GN 窄设计直线轴承座 Housing bearings, short design



- 封闭式窄轴承座设计
 - 装配LIN-11R直线轴承
 - 阳极氧化铝合金座孔
 - 螺栓固定
 - 免维护、低噪音
 - 适用于污垢或灰尘环境
 - 使用温度-50℃/+90℃
- Closed design with short housing
 - Assembled linear bearings LIN-11R
 - Anodized aluminum housing
 - Secured by bolts
 - Maintenance-free and low noise
 - Resistance to dirt and dust
 - Operation temperature -50℃/+90℃

标准规格 Standard specifications



产品编码 Part No.:

LIN-11GN-16

轴承内径 Inner diameter

 窄设计直线轴承座
Pillow block, short design

 LIN-11R直线轴承
Standard bearings LIN-11R

轴 Shaft: h6-h9

| 产品编码 Part No. | 内装轴承 Bearing [mm] | 轴径 Shaft [mm] | 尺寸 Size [mm] | | | | | | | | | | |
|------------------|-------------------------|---------------------|--------------|----|-----|------|------|----|-----|-----|----------------|----------------|------|
| | | | h | D | W | H | G | A | J | E | S ₁ | S ₂ | L |
| LIN-11GN-12 | LIN-11R-12 | 12 | 15 | 22 | 44 | 30 | 24 | 8 | 33 | 5.5 | M5*12 | Φ4.3 | 20.3 |
| LIN-11GN-16 | LIN-11R-16 | 16 | 19 | 25 | 50 | 38.5 | 32.5 | 9 | 36 | 7 | M5*12 | Φ4.3 | 22.3 |
| LIN-11GN-20 | LIN-11R-20 | 20 | 21 | 27 | 54 | 41 | 35 | 11 | 40 | 7 | M6*12 | Φ5.2 | 28.3 |
| LIN-11GN-25 | LIN-11R-25 | 25 | 26 | 38 | 76 | 51.5 | 41 | 12 | 54 | 11 | M8*12 | Φ7 | 40.4 |
| LIN-11GN-30 | LIN-11R-30 | 30 | 30 | 39 | 78 | 59.5 | 49 | 15 | 58 | 10 | M8*12 | Φ7 | 48.4 |
| LIN-11GN-40 | LIN-11R-40 | 40 | 40 | 51 | 102 | 78 | 62 | 20 | 80 | 11 | M10*12 | Φ8.7 | 56.4 |
| LIN-11GN-50 | LIN-11R-50 | 50 | 52 | 61 | 122 | 102 | 80 | 24 | 100 | 11 | M10*12 | Φ8.7 | 72.3 |

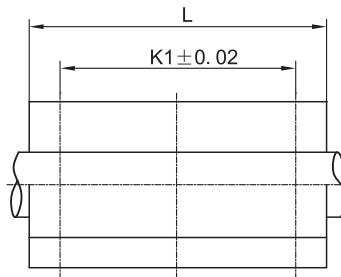
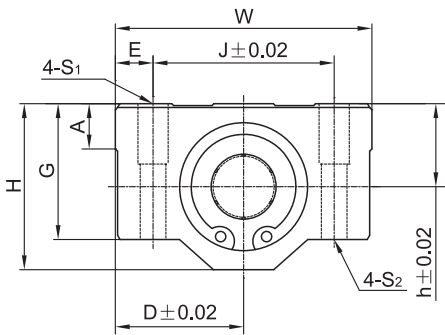
| 产品编码 Part No. | 内径 I.D [mm] | 公差 Tolerance [mm] | F max. [N] 最大动载荷 Dynamic Load P=5MPa | F max. [N] 最大静载荷 Static Load P=35MPa | 重量 Weight [g] |
|------------------|----------------|----------------------|--|--|------------------|
| LIN-11GN-12 | 12 | +0.030/+0.088 | 960 | 6720 | 60 |
| LIN-11GN-16 | 16 | +0.030/+0.088 | 1440 | 10080 | 67 |
| LIN-11GN-20 | 20 | +0.030/+0.091 | 2250 | 15750 | 90 |
| LIN-11GN-25 | 25 | +0.030/+0.091 | 3625 | 25375 | 193 |
| LIN-11GN-30 | 30 | +0.040/+0.110 | 5100 | 35700 | 260 |
| LIN-11GN-40 | 40 | +0.040/+0.115 | 8000 | 56000 | 641 |
| LIN-11GN-50 | 50 | +0.040/+0.130 | 9000 | 87500 | 1149 |

LIN-11GL 长设计直线轴承座 Housing bearings, long design



- 封闭式加长型轴承座设计
- 装配2个LIN-11R直线轴承
- 阳极氧化铝合金座孔
- 螺栓固定
- 免维护、低噪音
- 适用于污垢或灰尘环境
- 使用温度 -50℃/+90℃
- Closed housing design and increased the guide length
- Assembled 2pcs linear bearings LIN-11R
- Anodized aluminum housing
- Secured by bolts
- Maintenance-free and low noise
- Resistance to dirt and dust
- Operation temperature -50℃/+90℃

标准规格 Standard specifications



产品编码 Part No.:

LIN-11GL-16

轴承内径 Inner diameter

长设计直线轴承座
Pillow block, long design

LIN-11R直线轴承
Standard bearings LIN-11R

轴 Shaft: h6-h9

| 产品编码 Part No. | 内装轴承 Bearing [mm] | 轴径 Shaft [mm] | 尺寸 Size [mm] | | | | | | | | | | | |
|------------------|-------------------------|---------------------|--------------|----|-----|------|------|----|-----|-----|----------------|----------------|-----|-----|
| | | | h | D | W | H | G | A | J | E | S ₁ | S ₂ | K | L |
| LIN-11GL-12 | 2 × LIN-11R-12 | 12 | 15 | 22 | 44 | 30 | 24 | 8 | 33 | 5.5 | M5*12 | Φ4.3 | 64 | 77 |
| LIN-11GL-16 | 2 × LIN-11R-16 | 16 | 19 | 25 | 50 | 38.5 | 32.5 | 9 | 36 | 7 | M5*12 | Φ4.3 | 79 | 89 |
| LIN-11GL-20 | 2 × LIN-11R-20 | 20 | 21 | 27 | 54 | 41 | 35 | 11 | 40 | 7 | M6*12 | Φ5.2 | 90 | 106 |
| LIN-11GL-25 | 2 × LIN-11R-25 | 25 | 26 | 38 | 76 | 51.5 | 41 | 12 | 54 | 11 | M8*12 | Φ7 | 119 | 136 |
| LIN-11GL-30 | 2 × LIN-11R-30 | 30 | 30 | 39 | 78 | 59.5 | 49 | 15 | 58 | 10 | M8*12 | Φ7 | 132 | 154 |
| LIN-11GL-40 | 2 × LIN-11R-40 | 40 | 40 | 51 | 102 | 78 | 62 | 20 | 80 | 11 | M10*12 | Φ8.7 | 150 | 180 |
| LIN-11GL-50 | 2 × LIN-11R-50 | 50 | 52 | 61 | 122 | 102 | 80 | 24 | 100 | 11 | M10*12 | Φ8.7 | 200 | 230 |

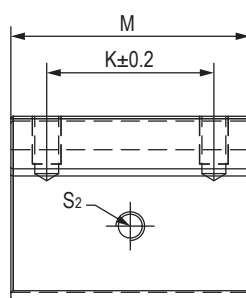
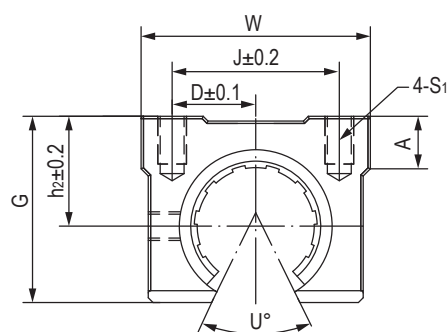
| 产品编码 Part No. | 内径 I.D [mm] | 公差 Tolerance [mm] | F max. [N] 最大动载荷 Dynamic Load P=5MPa | F max. [N] 最大静载荷 Static Load P=35MPa | 重量 Weight [g] |
|------------------|----------------|----------------------|--|--|------------------|
| LIN-11GL-12 | 12 | +0.030/+0.088 | 1920 | 13440 | 210 |
| LIN-11GL-16 | 16 | +0.030/+0.088 | 2880 | 20160 | 250 |
| LIN-11GL-20 | 20 | +0.030/+0.091 | 4500 | 31500 | 318 |
| LIN-11GL-25 | 25 | +0.030/+0.091 | 7250 | 50750 | 686 |
| LIN-11GL-30 | 30 | +0.040/+0.110 | 10200 | 71400 | 905 |
| LIN-11GL-40 | 40 | +0.040/+0.115 | 16000 | 112000 | 2041 |
| LIN-11GL-50 | 50 | +0.040/+0.130 | 18000 | 175000 | 5215 |

LIN-11GK 标准型开口直线轴承座 Open housing bearings



- 开口型轴承座设计
- 装配LIN-11RK直线轴承
- 阳极氧化铝合金座孔
- 螺栓固定
- 免维护、低噪音
- 适用于污垢或灰尘环境
- 使用温度 -50℃/+90℃
- Open housing design
- Assembled linear bearings LIN-11RK
- Anodized aluminum housing
- Secured by bolts
- Maintenance-free and low noise
- Resistance to dirt and dust
- Operation temperature -50℃/+90℃

标准规格 Standard specifications

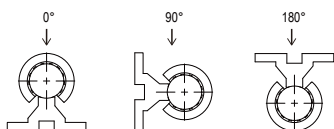


产品编码 Part No.:

LIN-11GK-16

轴承内径 Inner diameter

 开口设计直线轴承座
Pillow block, open design

 LIN-11RK直线轴承
Standard bearings LIN-11RK


轴 Shaft: h6-h9

| 产品编码 Part No. | 内装轴承 Bearing [mm] | 轴径 Shaft [mm] | 尺寸 Size [mm] | | | | | | | | | | |
|------------------|-------------------------|---------------------|--------------|------|----|----|----------------|------|----|----|----|----------------|----------------|
| | | | W | G | A | M | h ₂ | D | U° | J | K | S ₁ | S ₂ |
| LIN-11GK-12 | LIN-1221-32RK | 12 | 40 | 27.6 | 8 | 39 | 17 | 14 | 80 | 28 | 26 | M5*10 | M5 |
| LIN-11GK-16 | LIN-1628-36RK | 16 | 45 | 33 | 9 | 45 | 20 | 22.5 | 80 | 32 | 30 | M5*12 | M5 |
| LIN-11GK-20 | LIN-11RK-20 | 20 | 48 | 39 | 11 | 50 | 23 | 24 | 60 | 35 | 35 | M6*12 | M5 |
| LIN-11GK-25 | LIN-11RK-25 | 25 | 60 | 47 | 14 | 65 | 27 | 30 | 50 | 40 | 40 | M6*12 | M5 |
| LIN-11GK-30 | LIN-3045-68RK | 30 | 70 | 56 | 15 | 70 | 33 | 35 | 50 | 50 | 50 | M8*18 | M5 |

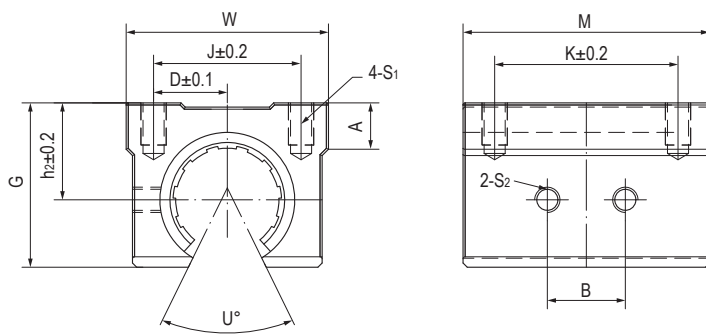
| 产品编码 Part No. | 内径 I.D [mm] | 公差 Tolerance [mm] | F max. [N] | | | F max. [N] | | | 重量 Weight [g] |
|------------------|----------------|----------------------|---------------------------|------|------|---------------------------|-------|-------|------------------|
| | | | 最大动载荷 Dynamic Load P=5MPa | | | 最大静载荷 Static Load P=35MPa | | | |
| | | | 0° | 90° | 180° | 0° | 90° | 180° | |
| LIN-11GK-12 | 12 | +0.030/+0.088 | 960 | 635 | 240 | 6720 | 4445 | 1680 | 84 |
| LIN-11GK-16 | 16 | +0.030/+0.088 | 1440 | 990 | 396 | 10080 | 6943 | 2772 | 125 |
| LIN-11GK-20 | 20 | +0.030/+0.091 | 2250 | 1800 | 900 | 15750 | 12600 | 6300 | 159 |
| LIN-11GK-25 | 25 | +0.030/+0.091 | 3625 | 2953 | 1523 | 25375 | 20670 | 10658 | 343 |
| LIN-11GK-30 | 30 | +0.040/+0.110 | 5100 | 4250 | 2278 | 35700 | 29735 | 15948 | 450 |

LIN-11GKL 加长型开口直线轴承座 Open housing bearings, long design



- 开口型轴承座设计
- 装配2个LIN-11RK直线轴承
- 阳极氧化铝合金座孔
- 螺栓固定
- 免维护、低噪音
- 适用于污垢或灰尘环境
- 使用温度 -50℃/+90℃
- Open housing design and increased the guide length
- Assembled 2pcs linear bearings LIN-11RK
- Anodized aluminum housing
- Secured by bolts
- Maintenance-free and low noise
- Resistance to dirt and dust
- Operation temperature -50℃/+90℃

标准规格 Standard specifications



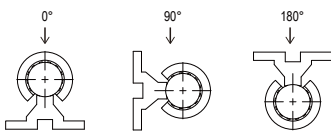
产品编码 Part No.:

LIN-11GKL-16

轴承内径 Inner diameter

开口型长设计直线轴承座
Open, pillow block, long design

LIN-11RK直线轴承
Standard bearings LIN-11RK



轴 Shaft: h6-h9

| 产品编码 Part No. | 内装轴承 Bearing [mm] | 轴径 Shaft [mm] | 尺寸 Size [mm] | | | | | | | | | | | | |
|------------------|-------------------------|---------------------|--------------|----|----|----|-----|----------------|------|----|----|-----|----|----------------|----------------|
| | | | D | W | G | A | M | h ₂ | D1 | U° | J | K | B | S ₁ | S ₂ |
| LIN-11GKL-16 | 2 × LIN-1628-36RK | 16 | 22.5 | 45 | 33 | 9 | 85 | 20 | 22.5 | 80 | 32 | 60 | 41 | M5*12 | M5 |
| LIN-11GKL-20 | 2 × LIN-11RK-20 | 20 | 24 | 48 | 39 | 11 | 96 | 23 | 24 | 60 | 35 | 70 | 47 | M6*12 | M5 |
| LIN-11GKL-25 | 2 × LIN-11RK-25 | 25 | 30 | 60 | 47 | 14 | 130 | 27 | 30 | 50 | 40 | 100 | 63 | M6*12 | M5 |
| LIN-11GKL-30 | 2 × LIN-3045-68RK | 30 | 35 | 70 | 56 | 15 | 140 | 33 | 35 | 50 | 50 | 110 | 70 | M8*18 | M5 |

| 产品编码 Part No. | 内径 I.D [mm] | 公差 Tolerance [mm] | F max. [N] | | | F max. [N] | | | 重量 Weight [g] |
|------------------|----------------|----------------------|---------------------------|------|------|---------------------------|-------|-------|------------------|
| | | | 最大动载荷 Dynamic Load P=5MPa | | | 最大静载荷 Static Load P=35MPa | | | |
| | | | 0° | 90° | 180° | 0° | 90° | 180° | |
| LIN-11GKL-16 | 16 | +0.030/+0.088 | 2880 | 1980 | 792 | 20160 | 13886 | 5544 | 250 |
| LIN-11GKL-20 | 20 | +0.030/+0.091 | 4500 | 3600 | 1800 | 31500 | 25200 | 12600 | 318 |
| LIN-11GKL-25 | 25 | +0.030/+0.091 | 7250 | 5906 | 3046 | 50750 | 41340 | 21316 | 686 |
| LIN-11GKL-30 | 30 | +0.040/+0.110 | 10200 | 8500 | 4556 | 71400 | 59470 | 31896 | 905 |