

MAVILOR

INFRANOR GROUP COMPANY



BF Series

WASHDOWN Mavilor Motor

* SMOOTH EDGES

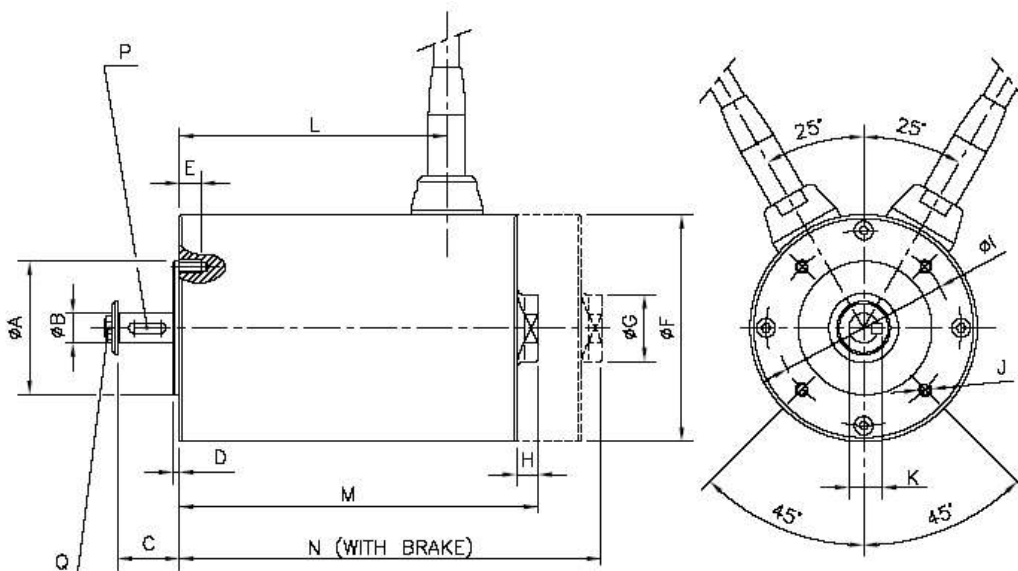
* STAINLESS STEEL HOUSING
AND SHAFT

* IP 67

Synchronous electrical servomotors with 3 winding phases, supplied with sinusoidal current wave forms. The feedback device is a resolver (BFS Series)

CHARACTERISTICS	SYMBOL	UNITS	BFS-82	BFS-83	BFS-122	BFS-124
			220VAC	220VAC	220VAC	220VAC
MAX. MECHANICAL SPEED	n	r.p.m	11000	11000	8500	8500
STALL TORQUE (1) (+/-10°)	M _s	Nm	1.5	2.0	4.50	8.6
STALL CURRENT	I _s	A	3.10	2.90	5.42	10.36
PEAK TORQUE (+/-10%)	M _j	Nm	7.60	10.80	20.00	42.40
EMF CONSTANT (+/-5%)	K _e	Vs/rad(m/s)	0.28	0.40	0.48	0.48
TORQUE CONSTANT (+/-5%)	K _t	Nm/A(m/s)	0.48	0.69	0.83	0.83
RELUCTANCE TORQUE (*)	T _r	Nm	<3.5%	<3.5%	<3%	<3%
WINDING RESISTANCE (+/-5%)	R	Ω	5.3	6.4	2.4	0.8
WINDING INDUCTANCE (+/-5%)	L	mH	5.4	6.4	4.8	1.9
ROTOR INERTIA	J	kgm ² 10 ⁻³	0.051	0.074	0.380	0.740
MECHANICAL TIME CONSTANT	T _m	ms	1.99	1.71	2.29	1.49
ELECTRICAL TIME CONSTANT	T _e	ms	1.02	1.00	2.00	2.38
RADIAL LOAD (at mid-length of shaft)	F _r	N	245	274	515	515
AXIAL LOAD	F _a	N	98	98	255	255
INSULATION			CLASS-F	CLASS-F	CLASS-F	CLASS-F
PROTECTION			IP-67	IP-67	IP-67	IP-67
(1) Aluminium heat sink plate			300X300X10	300X300X10	400X400X10	400X400X10

All characteristics at 25°C ambient temperature
 (*) Respect to the Stall Torque



MODEL	φA _{js}	φB _{ks}	C	D	E	φF	φG	H	φI	4xJ	K ^{+0.1}	L	M	N	P		Q	
															DIN 6885-A4	DIN 933-A	DIN 6885-A4	DIN 933-A
BF-82	50	11	23	2.5	8	85	25	8	65	M5	12.5	106	134	158	A4x4x14	M4x8		
BF-83	50	11	23	2.5	8	85	25	8	65	M5	12.5	118	152	176	A4x4x14	M4x8		
BF-122	80	19	40	3	12	125	35	10	100	M6	21.5	146	185	206	A6x6x30	M6x16		
BF-124	80	19	40	3	12	125	35	10	100	M6	21.5	196	235	256	A6x6x30	M6x16		

MAVILOR
 INFRANOR GROUP COMPANY

PI Urvasa
 c/ Empordà, 11-13
 08130 Sta. Perpètua de Mogoda
 (Barcelona)

Tel. +34 93 574 36 90
 Fax. +34 93 574 35 70
 e-mail: mavior@mavior.es
 web : www.mavior.es

15/01/2007