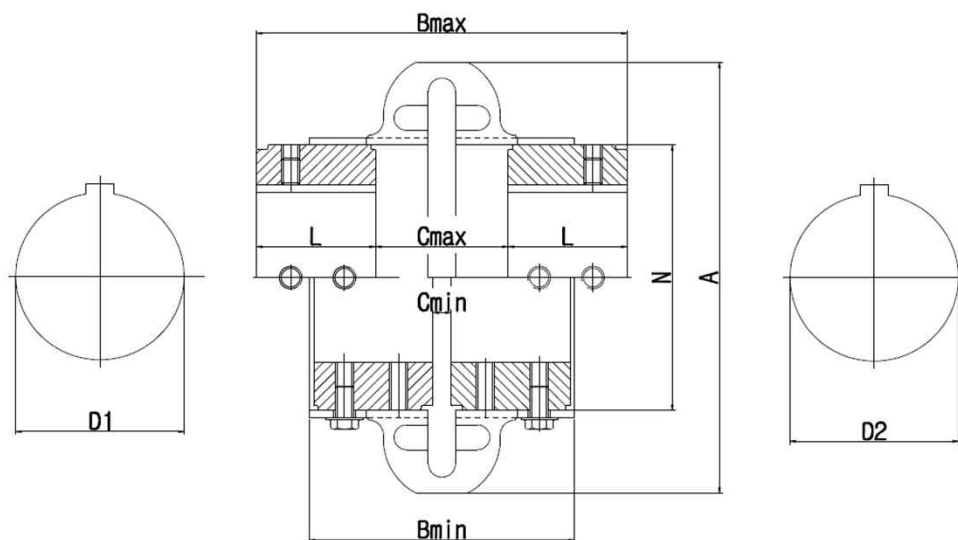


MAX FIELD[®] coupling

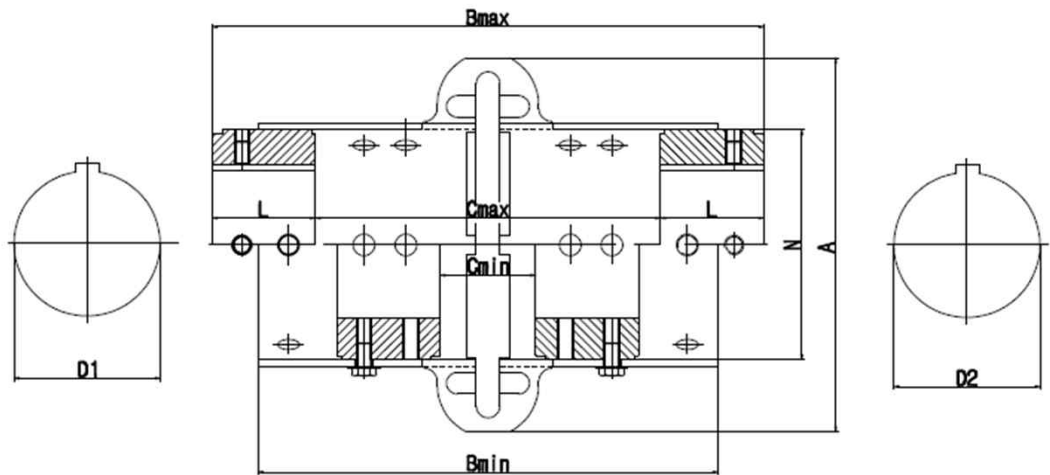
standard type



Dimensions in mm

MAX FIELD [®] coupling no.	Tn (Nm)	N Max. (rpm)	Bore		A	B		C		L	N	Weight kg
			D1	D2		min.	max.	min.	max.			
F-110	64	5,400	10	38	110	96	128	8	52	38	60	0.474
F-125	106	5,400	10	48	120	97	130	8	52	38	70	0.550
F-130	170	5,100	11	55	131	95	131	7	49	41	80	0.700
F-150	256	4,800	11	65	150	111	159	9	57	51	95	1.020
F-170	312	4,800	11	65	168	111	159	9	57	51	95	1.196
F-190	420	4,600	19	75	190	113	161	7	57	52	117	1.526
F-215	670	4,300	19	80	216	132	192	11	64	64	140	2.506
F-245	970	4,100	19	95	245	136	203	8	73	65	171	3.080
F-290	1,450	3,900	27	110	290	154	240	8	94	73	215	4.500
F-365	3,300	3,600	35	127	365	200	311	20	131	90	235	11.800
F-425	5,700	2,000	35	155	425	247	361	19	133	114	286	14.800
F-460	6,400	2,000	48	165	460	267	380	19	132	124	302	17.200

MAX FIELD[®] coupling spacer type

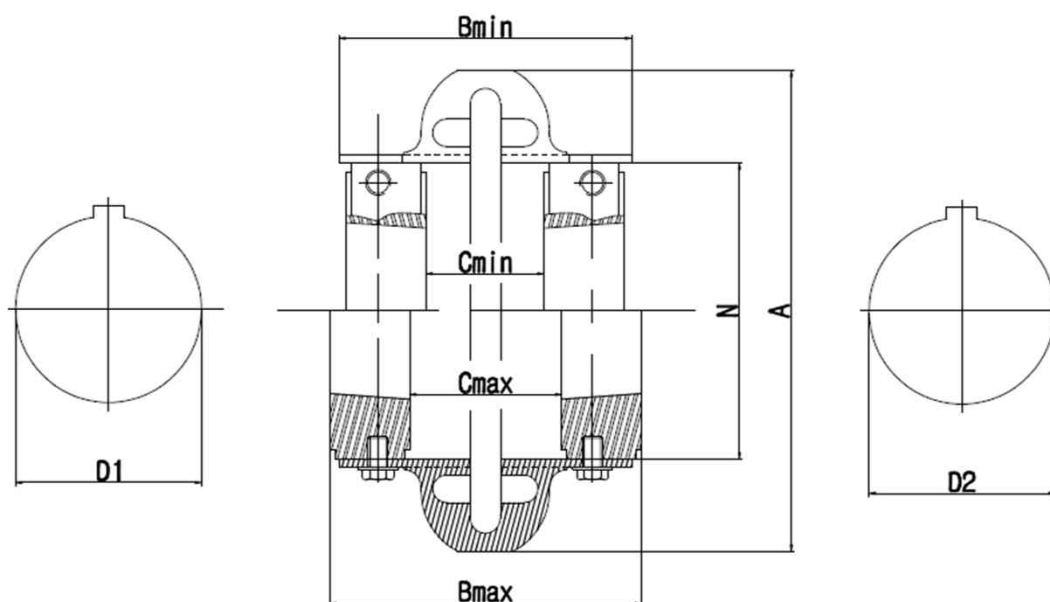


Dimensions in mm

MAX FIELD [®] coupling no.	Tn (Nm)	N Max. (rpm)	Bore		A	B		C		L	N	Weight kg
			D1	D2		min.	max.	min.	max.			
FS-110	64	4,300	10	38	110	180	213	41	137	38	60	0.764
FS-125	106	4,300	10	48	120	187	220	52	144	38	70	0.920
FS-130	170	4,200	11	55	131	179	214	49	132	41	80	1.130
FS-150	256	4,000	11	65	150	232	276	57	174	51	95	1.760
FS-170	312	4,000	11	65	168	232	276	57	174	51	95	1.940
FS-190	420	3,900	19	75	190	232	278	57	174	52	117	2.500
FS-215	670	3,800	19	80	216	248	309	57	181	64	140	4.100
FS-245	970	3,700	19	95	245	256	323	66	193	65	171	5.180
FS-290	1,450	3,600	27	110	290	312	401	72	255	73	215	8.540
FS-365	3,300	2,600	35	127	365	318	428	76	250	90	235	15.440
FS-425	5,700	1,800	35	155	425	318	478	68	250	114	286	19.320
FS-460	6,400	1,800	48	165	460	318	498	67	250	124	302	22.080

MAX FIELD[®] coupling

Taper-Lock bushed standard type

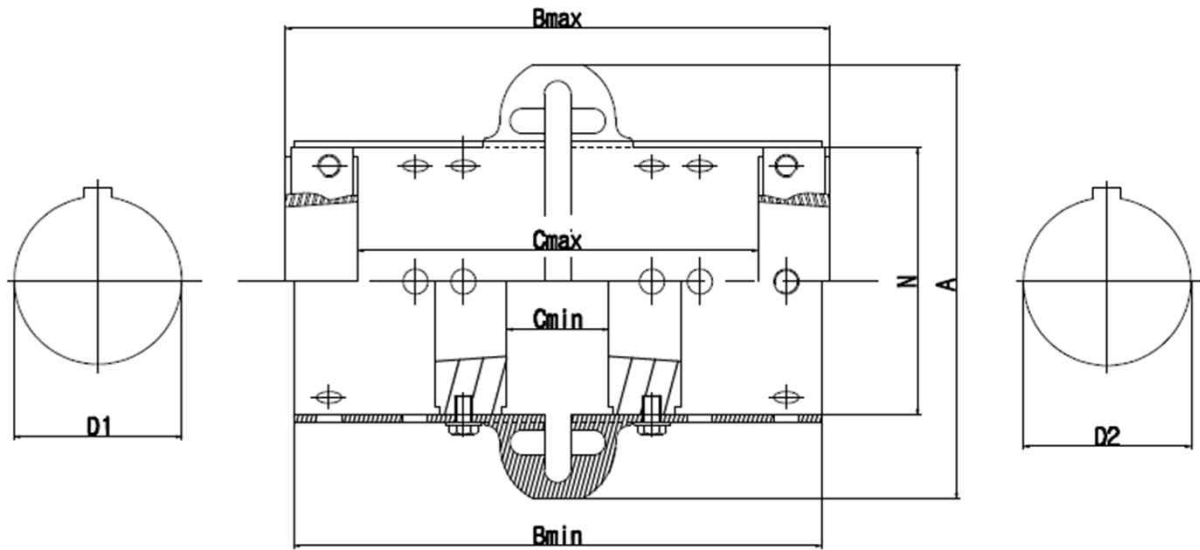


Dimensions in mm

MAX FIELD [®] coupling no.	Tn (Nm)	N Max. (rpm)	A	B		C1	C2	Bore		N	L	Bush No.
				min.	max.			D1	D2			
F-110	64	5,400	110	96	96	42	50	10	38	60	22.3	1108
F-125	106	5,400	120	97	97	42	50	10	48	70	22.3	1108
F-130	170	5,100	131	98	108	36	56	11	55	80	25.4	1310
F-150	256	4,800	150	112	118	54	66	11	65	95	25.4	1610
F-170	312	4,800	168	112	118	54	66	11	65	95	25.4	1610
F-190	420	4,600	190	116	124	50	60	19	75	117	31.8	2012
F-215	670	4,300	216	134	157	45	68	19	80	140	44.5	2517
F-245	970	4,100	245	136	170	44	69	19	95	171	50.8	3020
F-290	1,450	3,900	290	152	188	40	87	27	110	215	50.8	3020
F-365	3,300	3,600	365	200	310	18	130	35	127	235	90.0	3535
F-425	5,700	2,000	425	247	335	44	132	35	155	286	101.6	4040
F-460	6,400	2,000	460	266	360	38	132	48	165	302	114.3	4545

MAX FIELD[®] coupling

Taper-Lock bushed spacer type



Dimensions in mm

MAX FIELD [®] coupling no.	Tn (Nm)	N Max. (rpm)	A	B		C1	C2	Bore		N	L	Bush No.
				min.	max.			D1	D2			
FS-110	64	5,400	110	180	180	76	135	10	38	60	22.3	1108
FS-125	106	5,400	120	187	187	87	142	10	48	70	22.3	1108
FS-130	170	5,100	131	180	184	70	134	11	55	80	25.4	1310
FS-150	256	4,800	150	232	232	93	181	11	65	95	25.4	1610
FS-170	312	4,800	168	232	232	93	181	11	65	95	25.4	1610
FS-190	420	4,600	190	233	240	87	176	19	75	117	31.8	2012
FS-215	670	4,300	216	248	262	90	173	19	80	140	44.5	2517
FS-245	970	4,100	245	256	278	86	176	19	95	171	50.8	3020
FS-290	1,450	3,900	290	312	347	131	245	27	110	215	50.8	3020
FS-365	3,300	3,600	365	318	428	44	250	35	127	235	90.0	3535
FS-425	5,700	2,000	425	318	453	44	250	35	155	286	101.6	4040
FS-460	6,400	2,000	460	318	478	38	250	48	165	302	114.3	4545