

# ISS360

## COMPACT IMAGING SONAR



Impact Subsea are proud to present the world's most compact imaging sonar - the ISS360.

Optionally available with integrated Attitude and Heading Reference System (AHRS) providing Heading, Pitch & Roll.

Utilising a broadband composite transducer together with an advanced digital acoustic engine provides excellent range capability and image clarity.

For applications where Sonar Imaging, Heading, Pitch & Roll are required; all can be provided from a single device.

The use of Compressed High Intensity Radar Pulse (CHIRP) acoustic signalling enables a significant increase in range resolution while maintaining an excellent range capability.

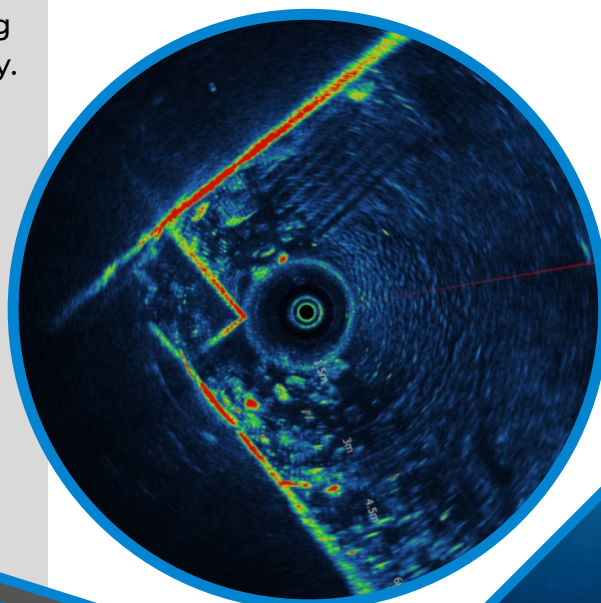
### FEATURES BENEFITS

90 Meter Range	Long range imaging.
6,000m & 4,000m Depth Rating	Ideal for shallow and deep water.
Integrated AHRS*	Provides Heading to $\pm 3^\circ$ Pitch and Roll to $0.2^\circ$ accuracy.
Small Form Factor	Smallest Imaging Sonar available.
Broadband Transducer	Excellent image quality & range.
No Slip Rings	No components to wear.

---

*Provided in a highly robust Titanium housing. The unit can be supplied without AHRS. Alternative OEM configurations are available upon request.*

---



### APPLICATIONS

ROV & AUV Navigation  
Target Identification  
Diver Navigation  
Port Surveillance  
Motion Reference  
Search & Recovery

ImpactSubsea

[www.impactsubsea.com](http://www.impactsubsea.com)

# ISS360

## COMPACT IMAGING SONAR



### ACOUSTIC

Frequency	700kHz Centre 650 to 750kHz Standard Bandwidth
Range	0.15 to 90 meters (4,000m rated) 0.15 to 80 meters (6,000m rated)
Resolution	7.5mm (100kHz CHIRP)
Beam Angle	23° Vertical at 700kHz 2.2° Horizontal at 700kHz
Signalling (Selectable)	CHIRP & CW
Step Size (Selectable)	0.225°, 0.45°, 0.9°, 1.8°, 3.6° & 7.2°
Scan Angle	360° Continuous or Sector Scan

### COMMS & POWER

Digital Protocol	RS232, RS485 & Ethernet
Input Voltage	12 to 65V DC
Power Standby	110mA @ 24V DC
Power Scanning <sup>1</sup>	150mA @ 24V DC

### PHYSICAL

Depth Rating	4,000m & 6,000m
Temperature	-10 to 40°C Operating -20 to 60°C Storage
Connector	Subconn MCBH8M-SS <i>Other options available</i>
Weight <i>Air/Fresh water</i>	0.38/0.3kg (4,000m) 0.37/0.3kg (6,000m)

### ATTITUDE\*

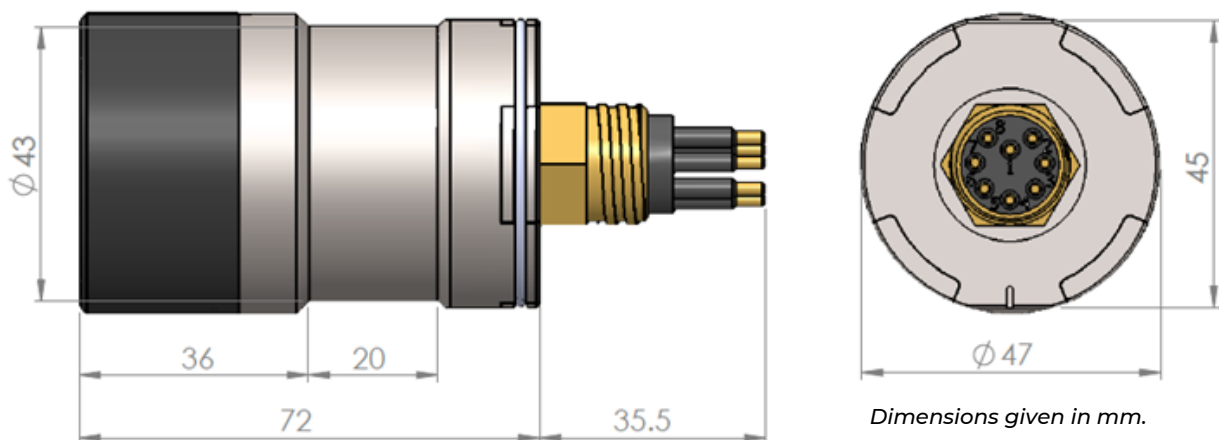
Pitch	± 90°
Roll	± 180°
Accuracy	0.2°
Resolution	0.1°

### HEADING\*

Accuracy	± 3°
Resolution	0.1°

## CONTACT US

sales@impactsubsea.co.uk  
+44 (0) 1224 460 850



\* Optional

<sup>1</sup> Based on maximum power level and scanning speed.

Specifications subject to change in line with product enhancements.  
0000.1911 | Rev. 1.7

ImpactSubsea

www.impactsubsea.com