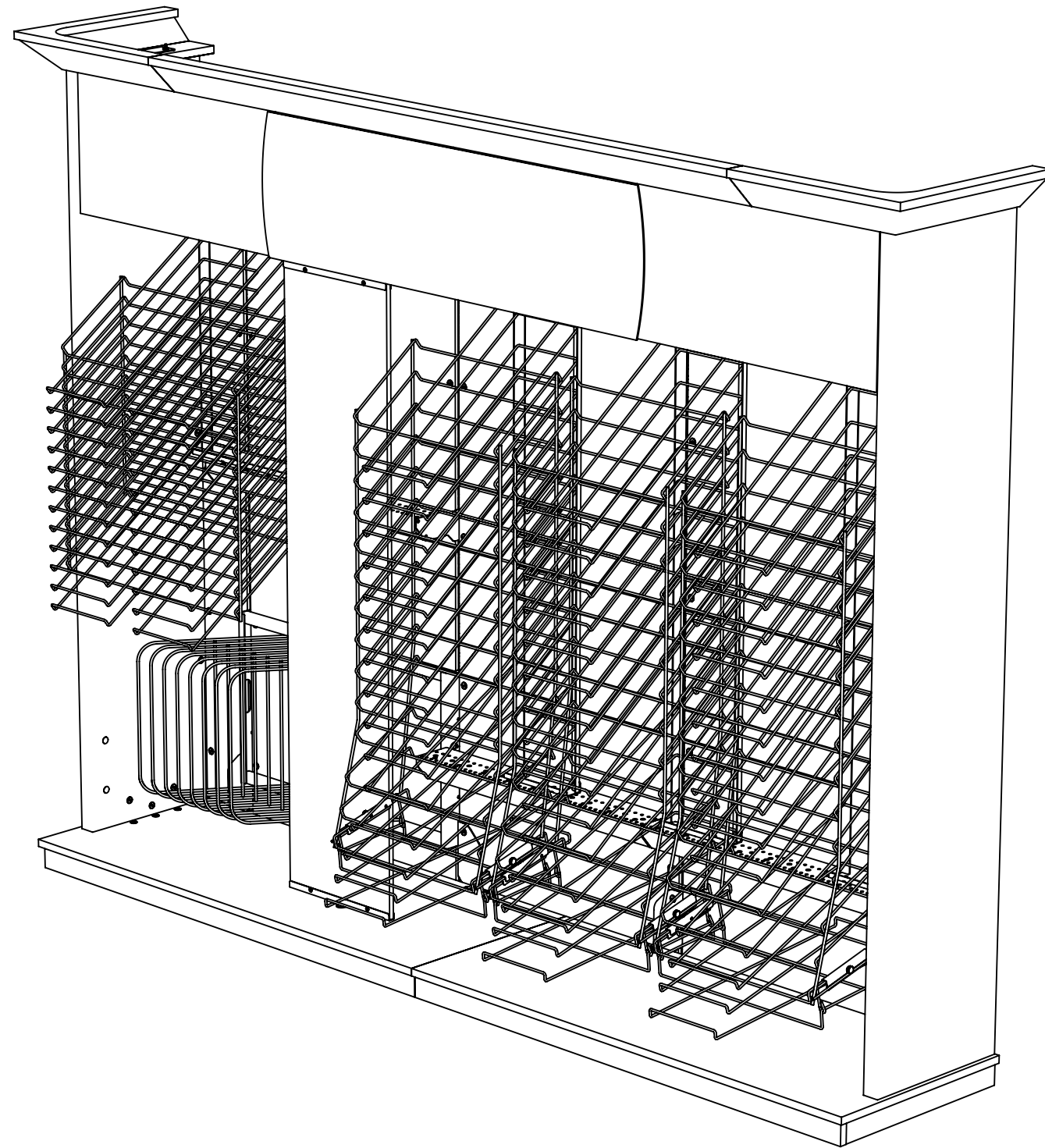



(FULL UNIT)

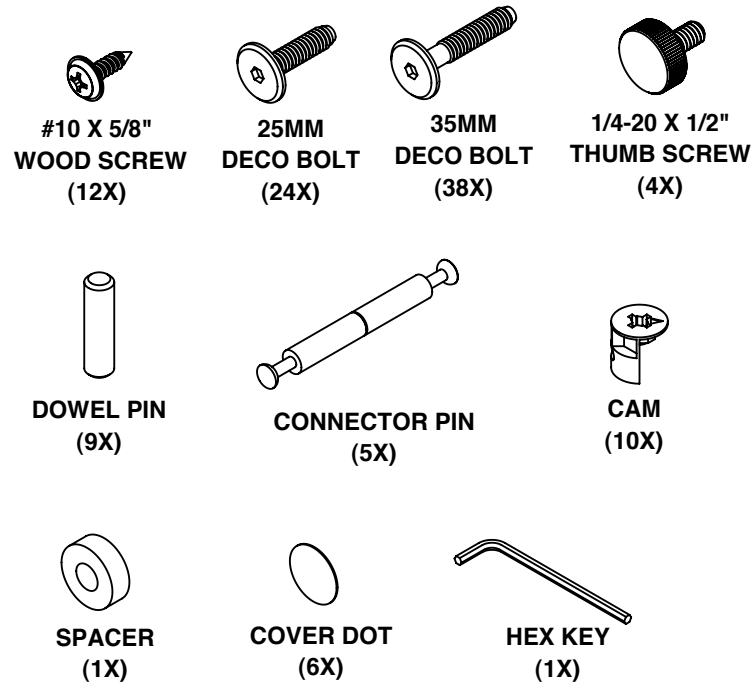


 **MANNINGTON®**

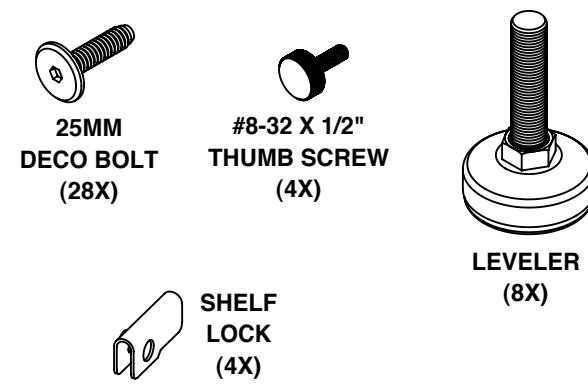
DISPLAY DIMENSIONS
114" WIDE X 85-1/2" HEIGHT X 35" DEPTH

CAUTION

Two person lift required

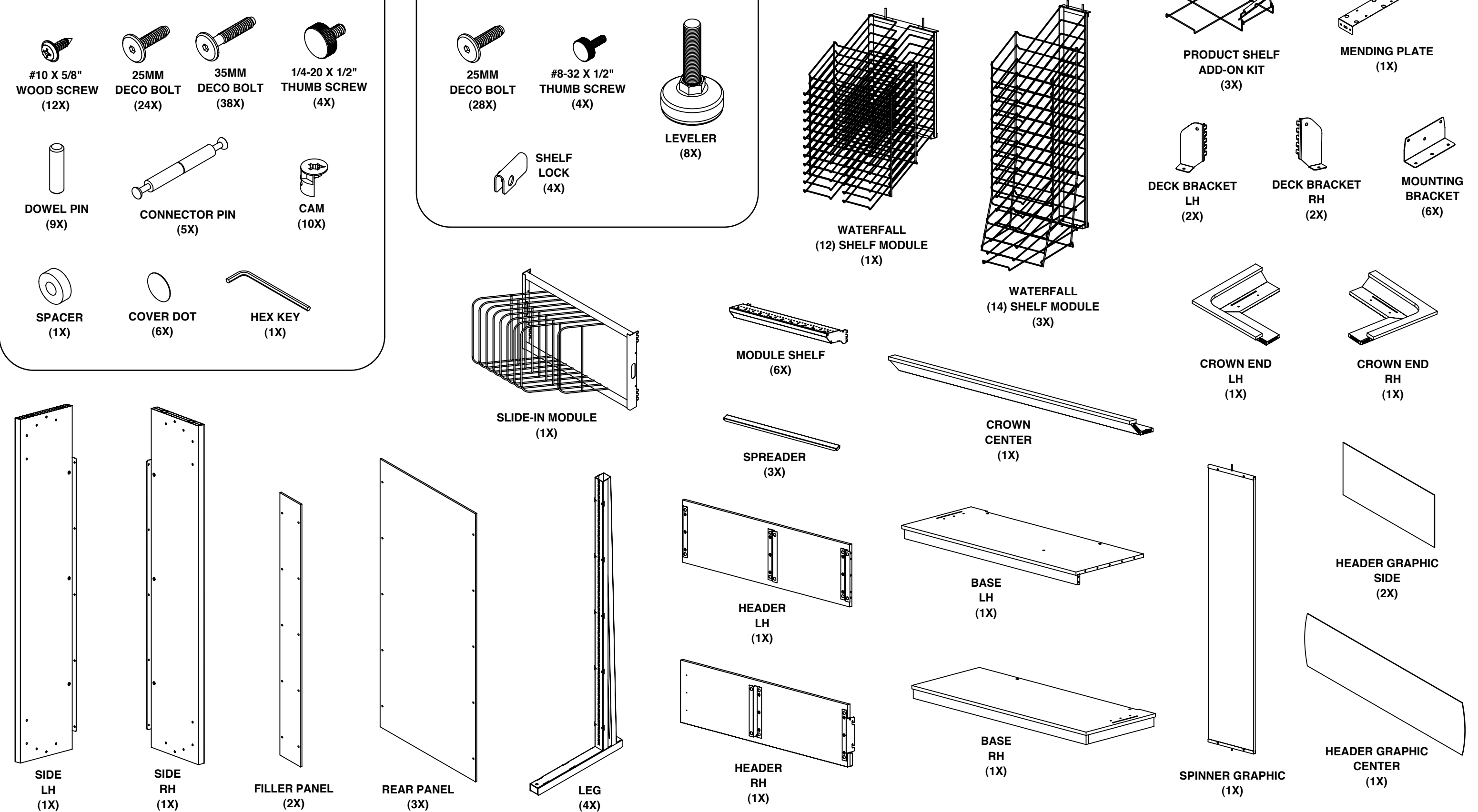
HARDWARE KIT - A



HARDWARE KIT - B

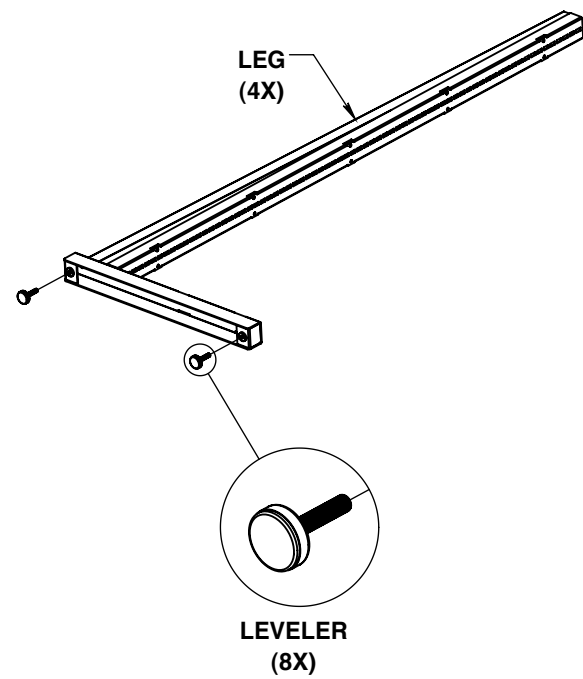


COMPONENT LIST



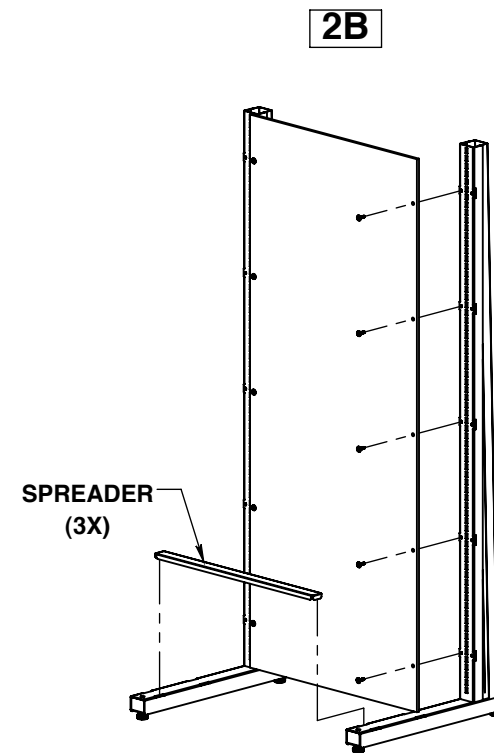
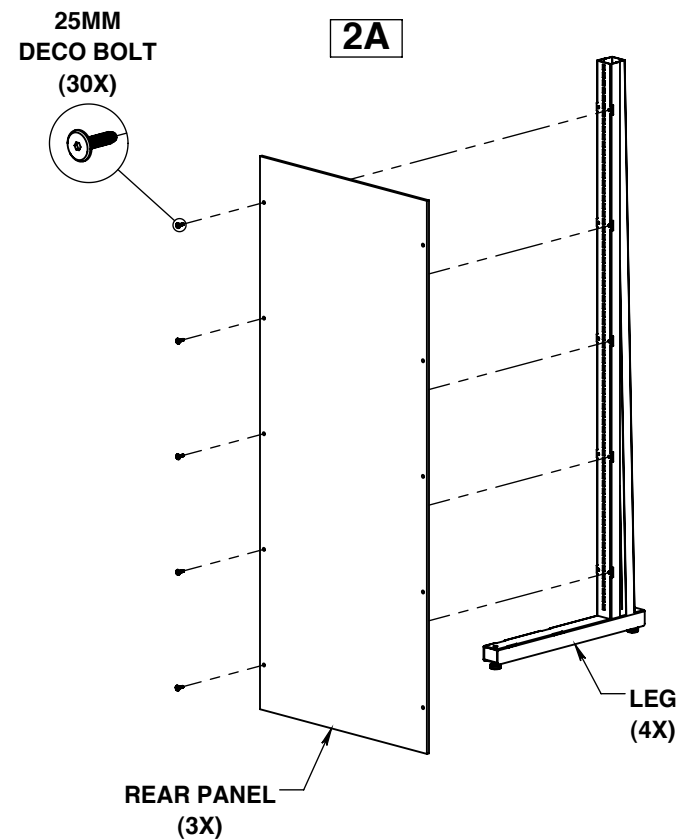
STEP - 1

INSTALL THE (8X) LEVELERS TO THE (4X) LEGS.



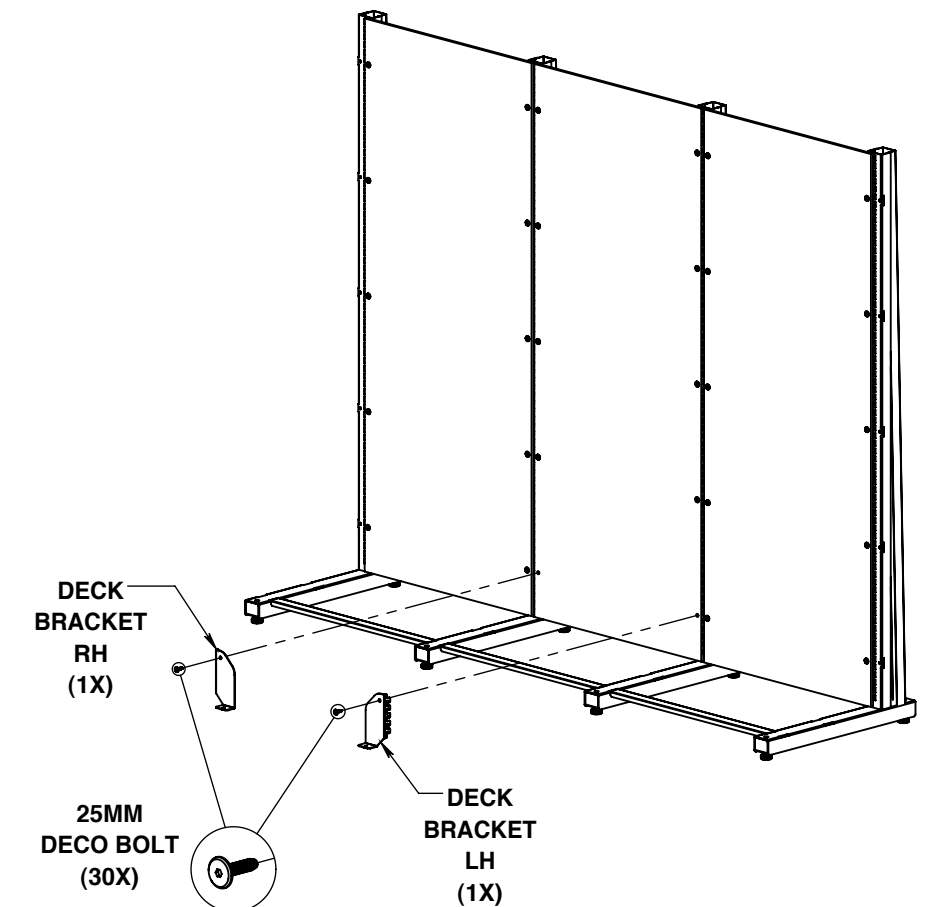
STEP - 2

BASE FIXTURE ASSEMBLY.

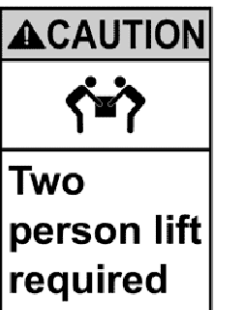


2C

WORKING LEFT TO RIGHT REPEAT STEPS 2A AND 2B THEN INSTALL LH & RH DECK BRACKETS AS SHOWN TO COMPLETE THE BASE FIXTURE ASSEMBLY.

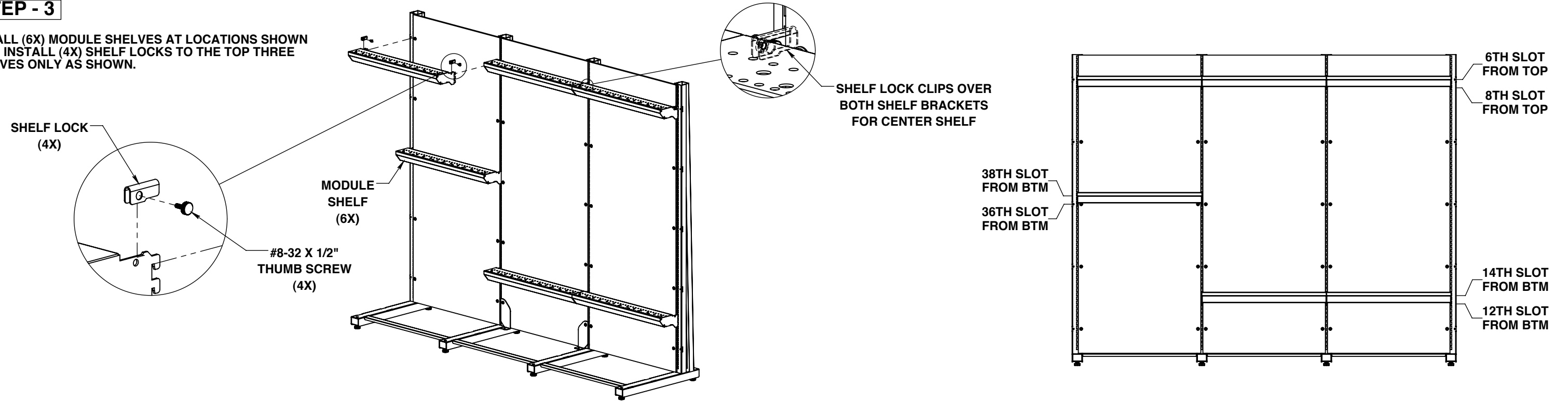


LEAVE THESE (2) BOLTS LOOSE UNTIL STEP 7

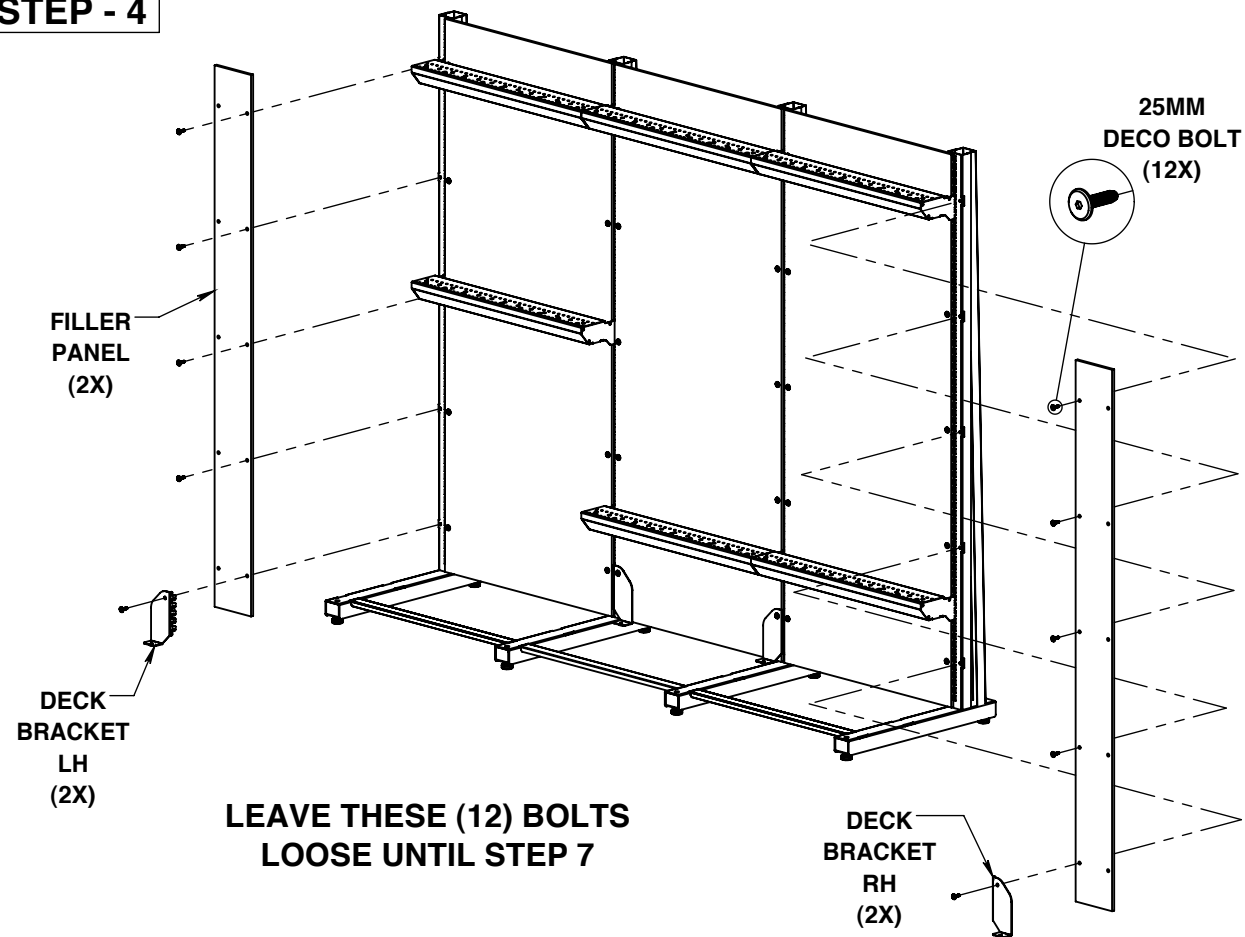


STEP - 3

INSTALL (6X) MODULE SHELVES AT LOCATIONS SHOWN THEN INSTALL (4X) SHELF LOCKS TO THE TOP THREE SHELVES ONLY AS SHOWN.

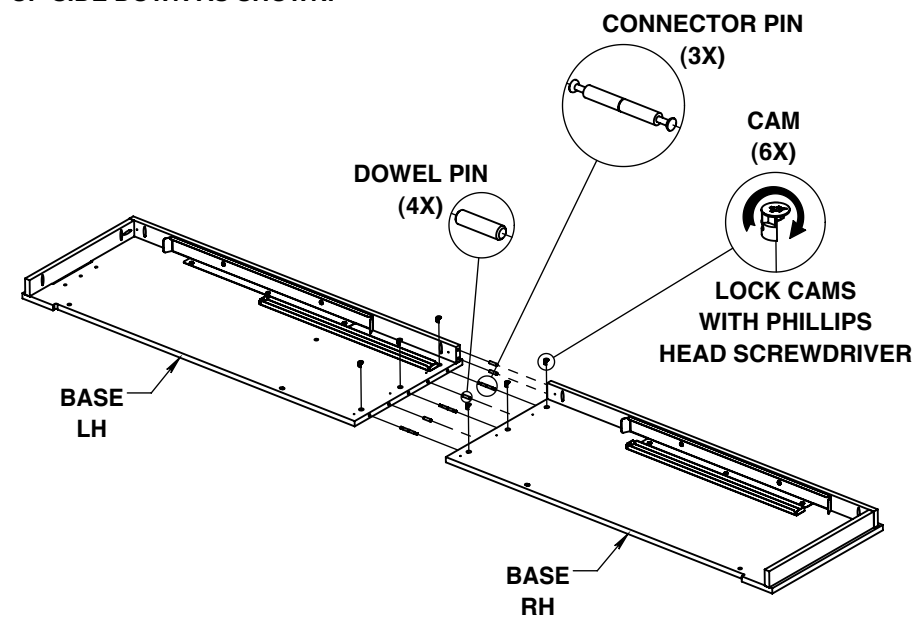


STEP - 4



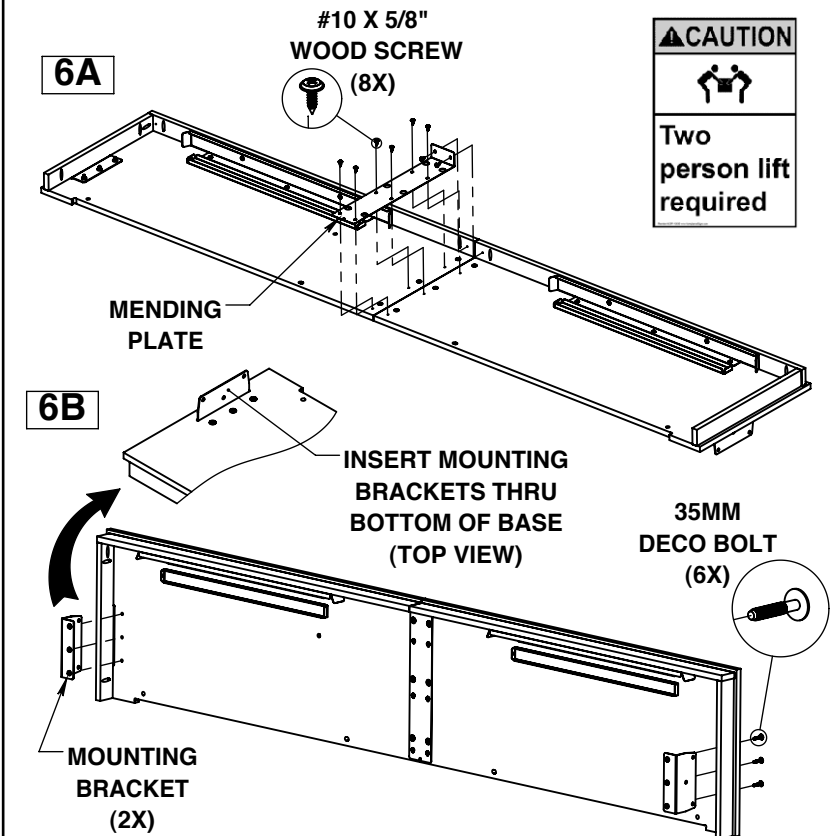
STEP - 5

ASSEMBLE THE DISPLAY BASE UP-SIDE DOWN AS SHOWN.



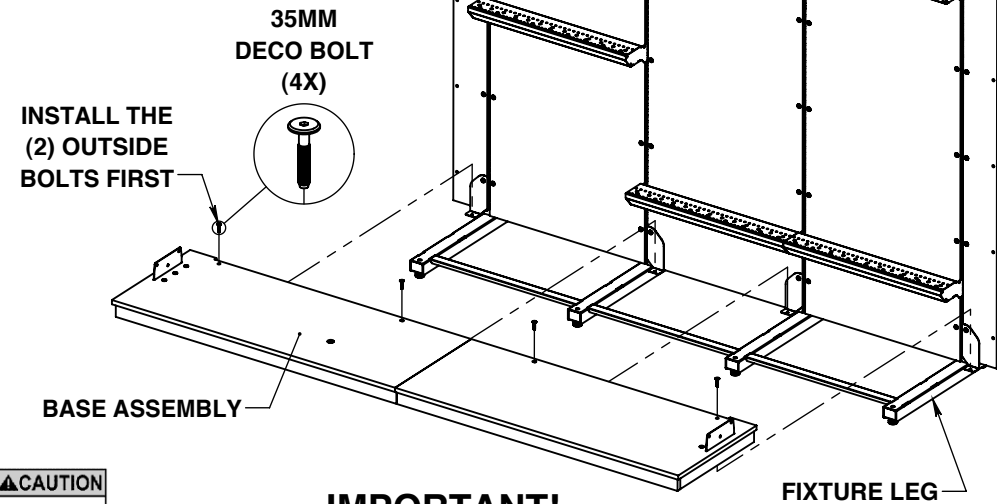
STEP - 6

INSTALL THE MENDING PLATE AS SHOWN IN STEP 6A AND THEN CAREFULLY FLIP THE BASE UP ON END AS SHOWN IN STEP 6B TO INSTALL THE (2X) MOUNTING BRACKETS.



STEP - 7

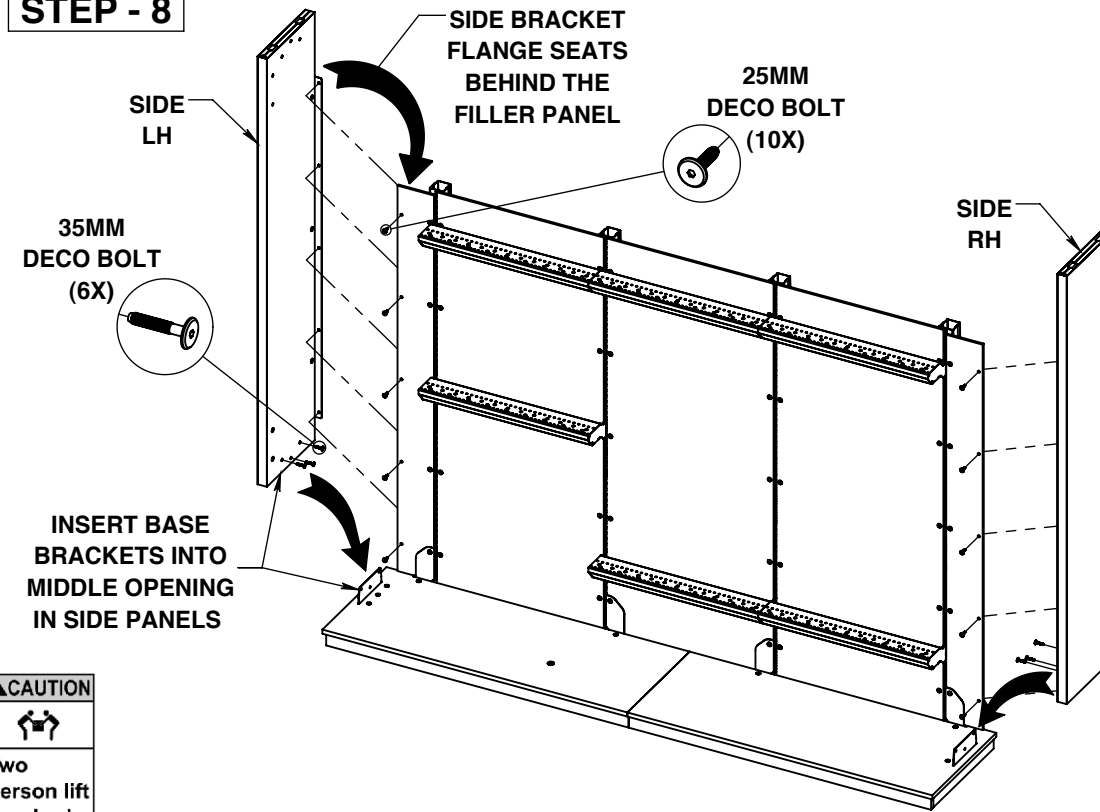
CENTER THE BASE ASSEMBLY AND REST IT ONTO THE LEGS THEN PUSH IT BACK INTO THE FINAL MOUNTING POSITION. INSTALL THE (4X) BOLTS.



CAUTION
Two person lift required

IMPORTANT!
TIGHTEN ALL LOOSE BOLTS AFTER THE COMPLETION OF THIS STEP

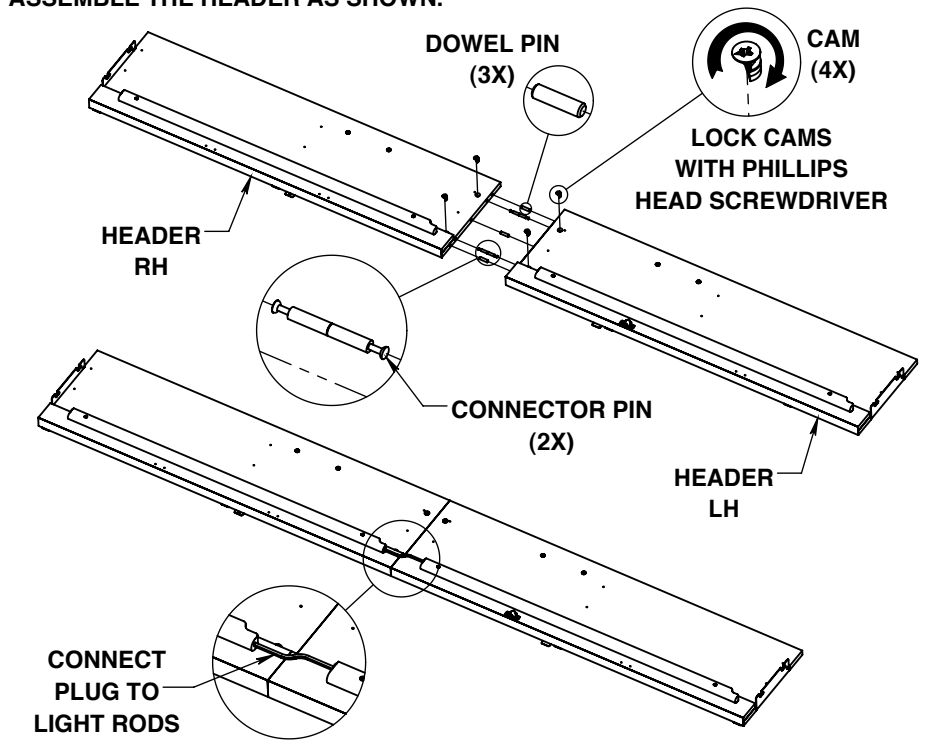
STEP - 8



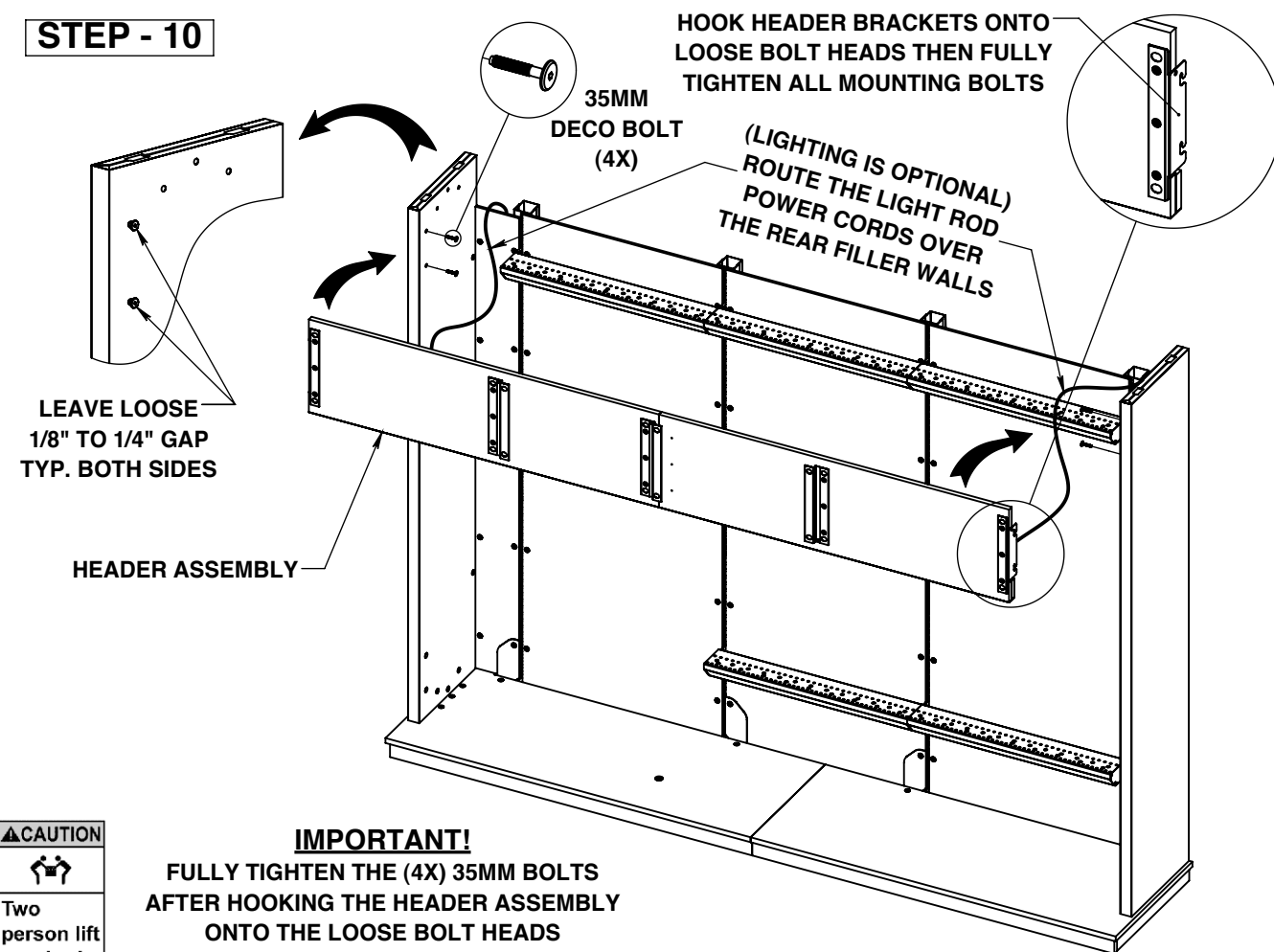
CAUTION
Two person lift required

STEP - 9

ASSEMBLE THE HEADER AS SHOWN.



STEP - 10

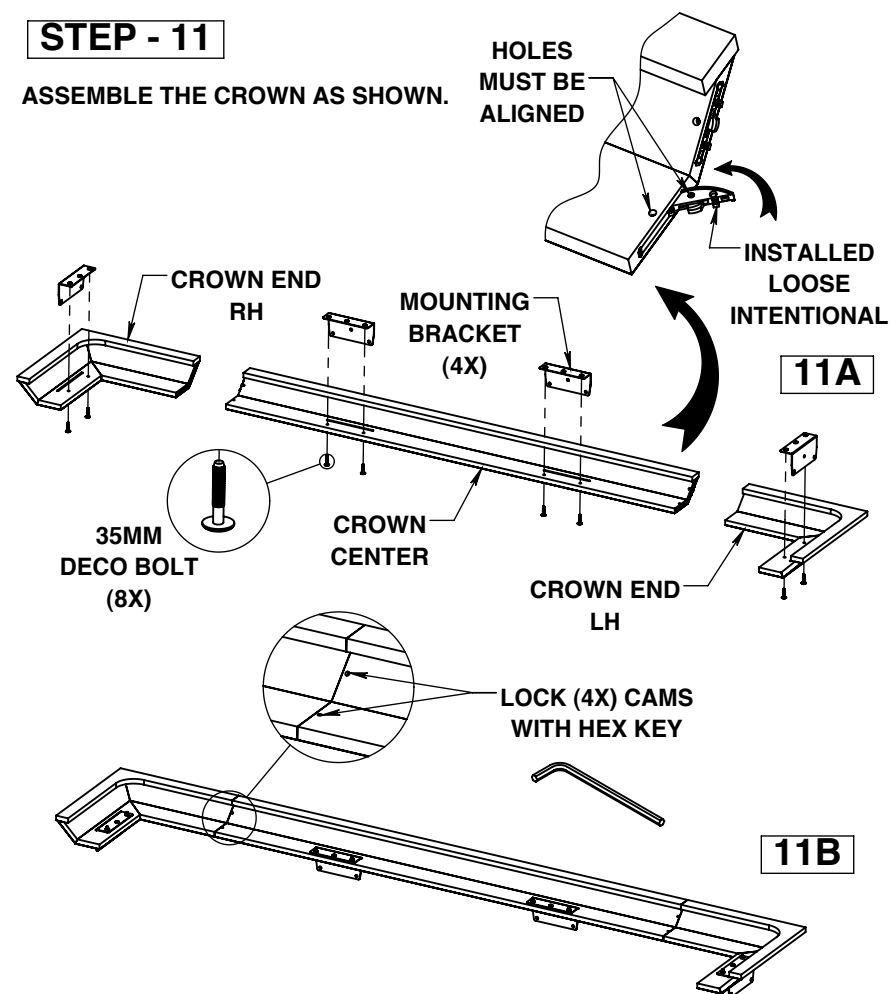


CAUTION
Two person lift required

IMPORTANT!
FULLY TIGHTEN THE (4X) 35MM BOLTS AFTER HOOKING THE HEADER ASSEMBLY ONTO THE LOOSE BOLT HEADS

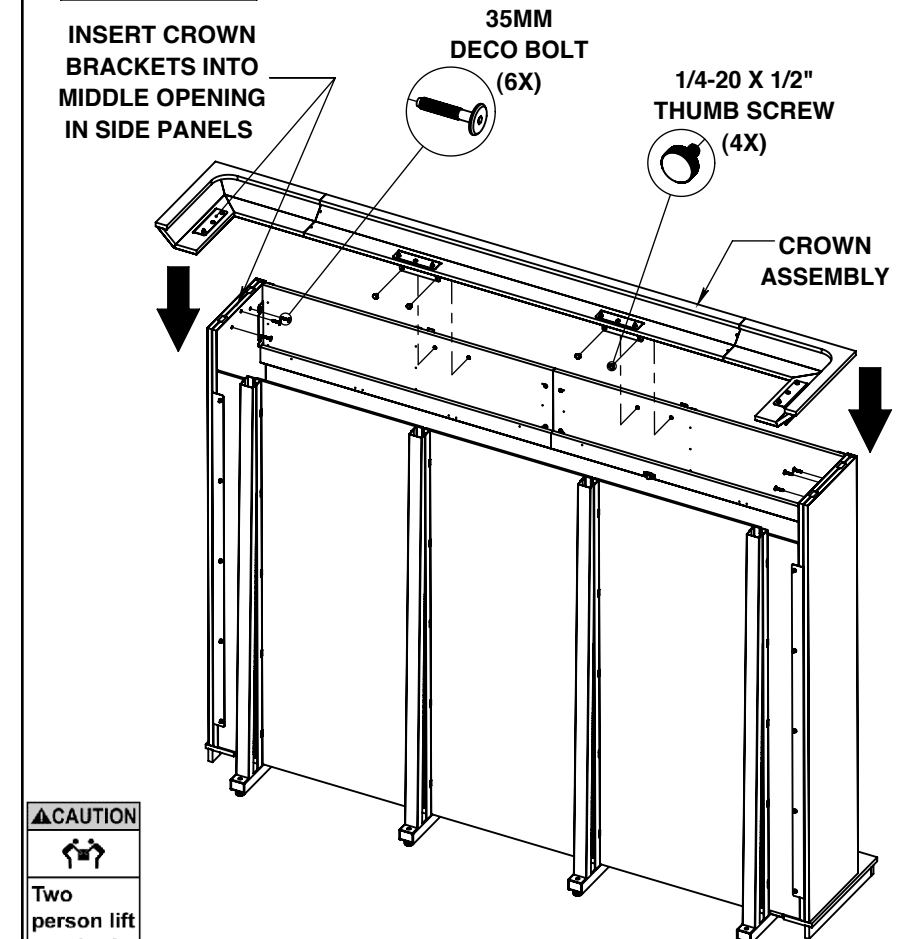
STEP - 11

ASSEMBLE THE CROWN AS SHOWN.



STEP - 12

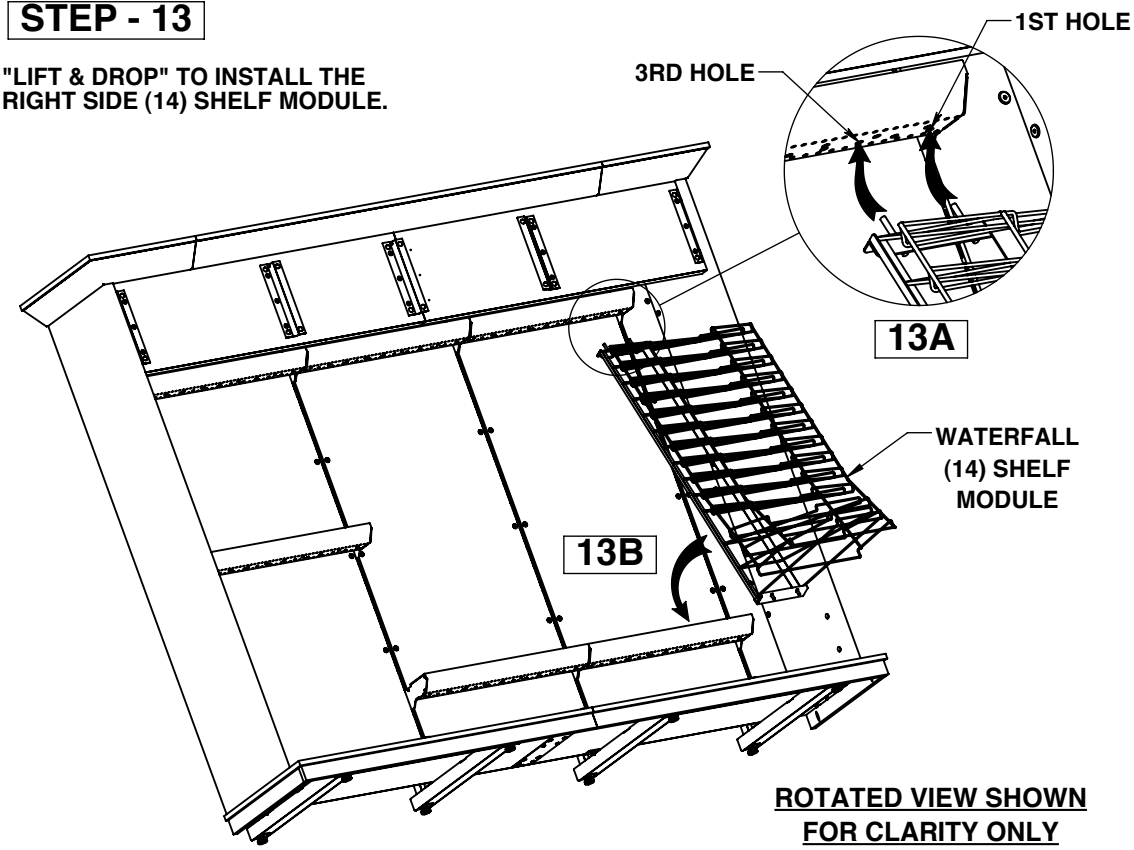
INSERT CROWN BRACKETS INTO MIDDLE OPENING IN SIDE PANELS



CAUTION
Two person lift required

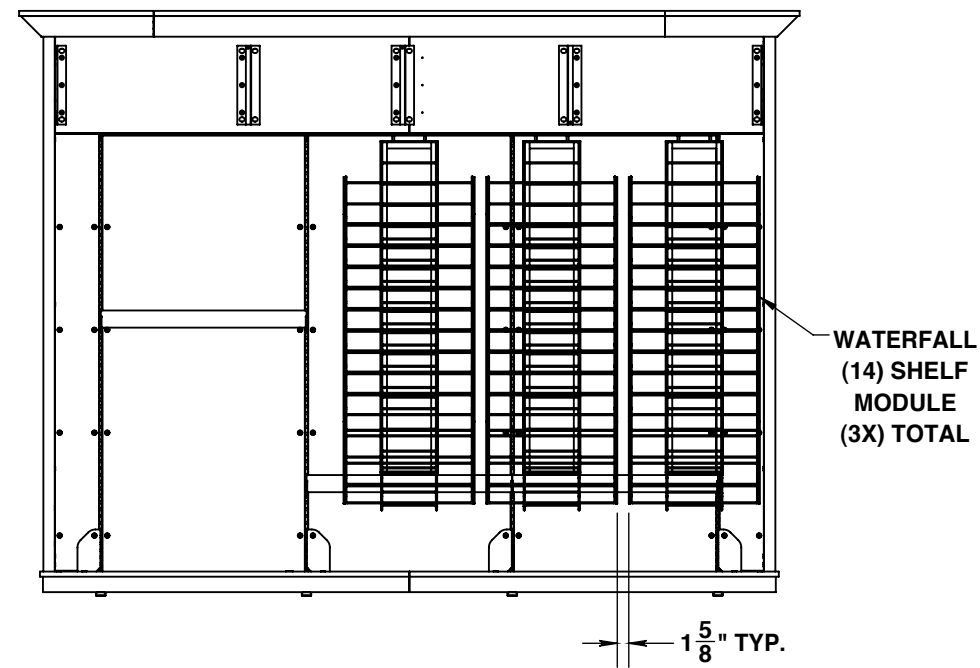
STEP - 13

"LIFT & DROP" TO INSTALL THE RIGHT SIDE (14) SHELF MODULE.



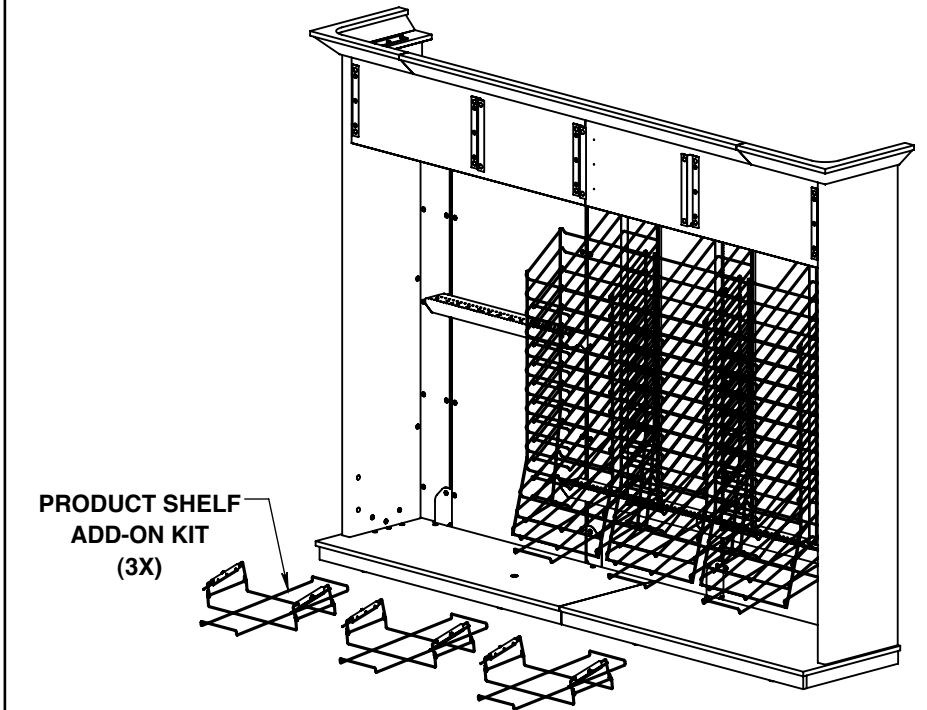
STEP - 14

"LIFT & DROP" TO INSTALL REMAINING 2X (14) SHELF MODULES FOR A TOTAL OF (3X).

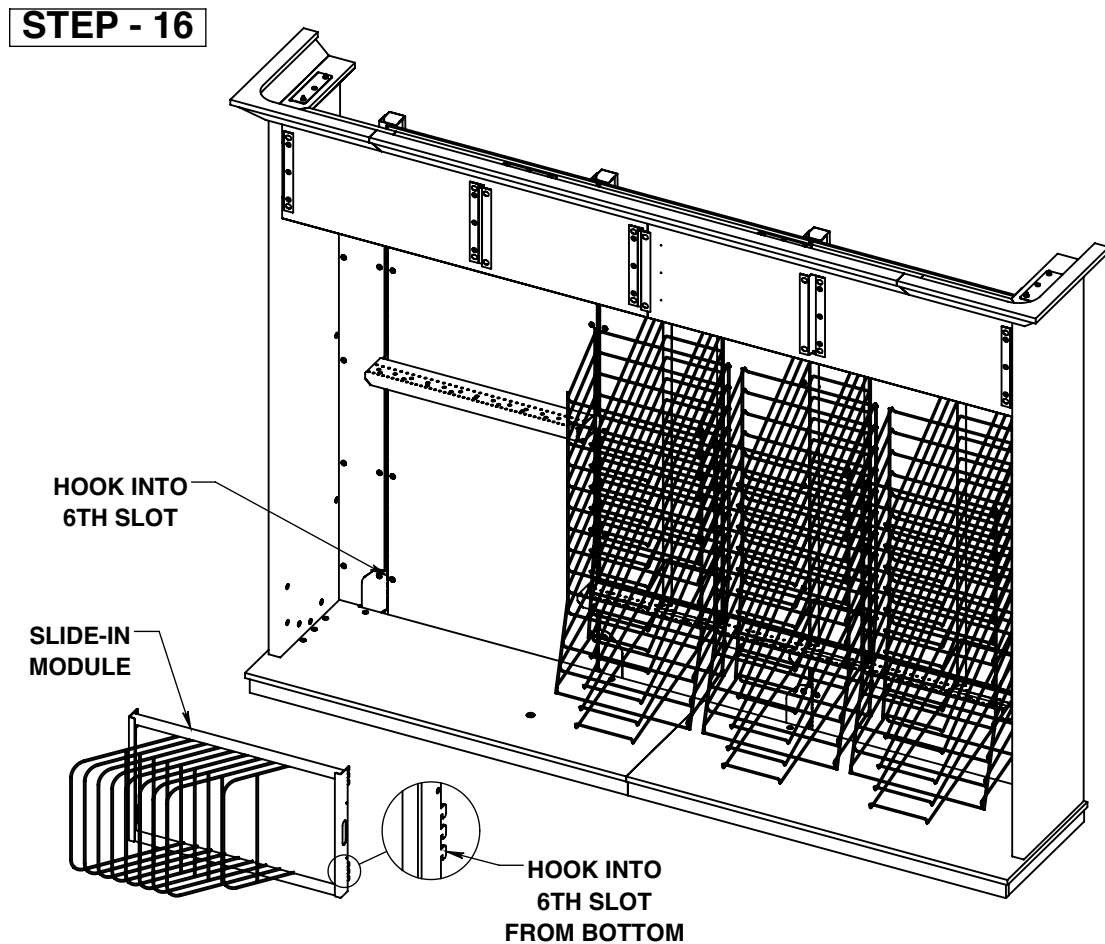


STEP - 15

INSTALL (3X) SHELF ADD-ON KITS USING THE SUPPLIED KIT INSTRUCTION SHEET THAT IS PACKED WITH EACH SHELF.

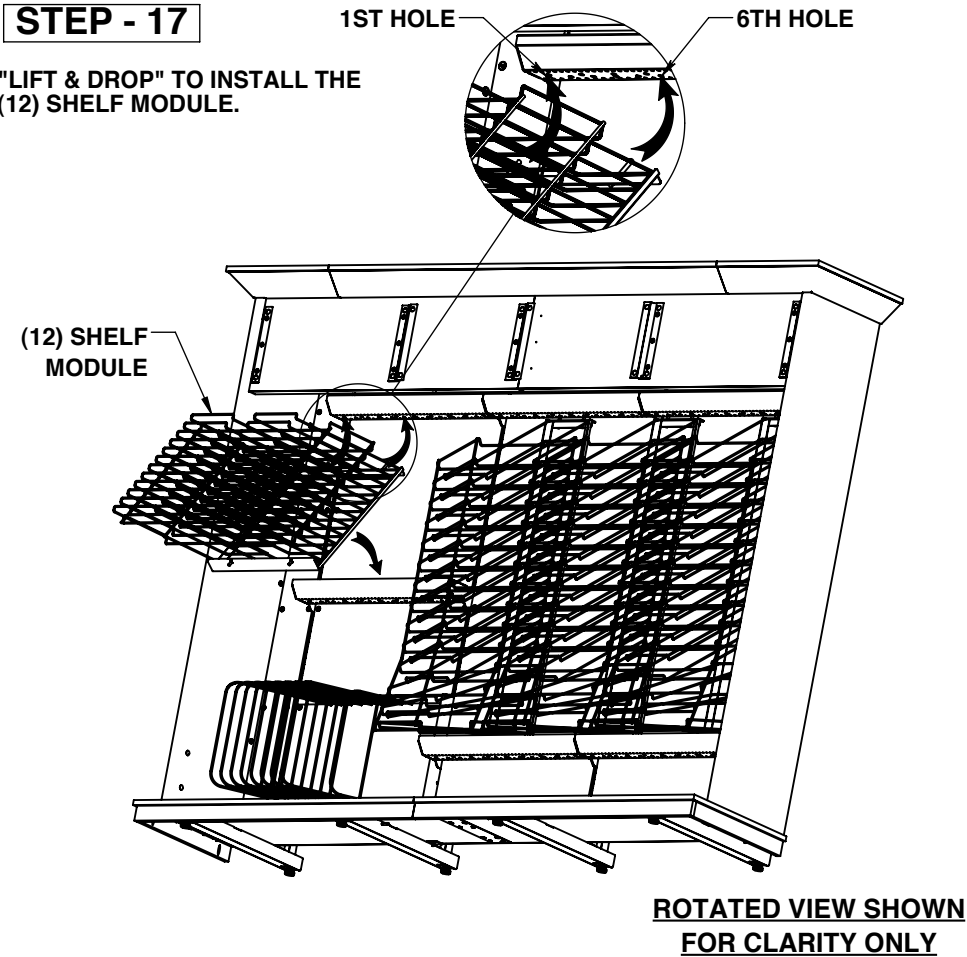


STEP - 16



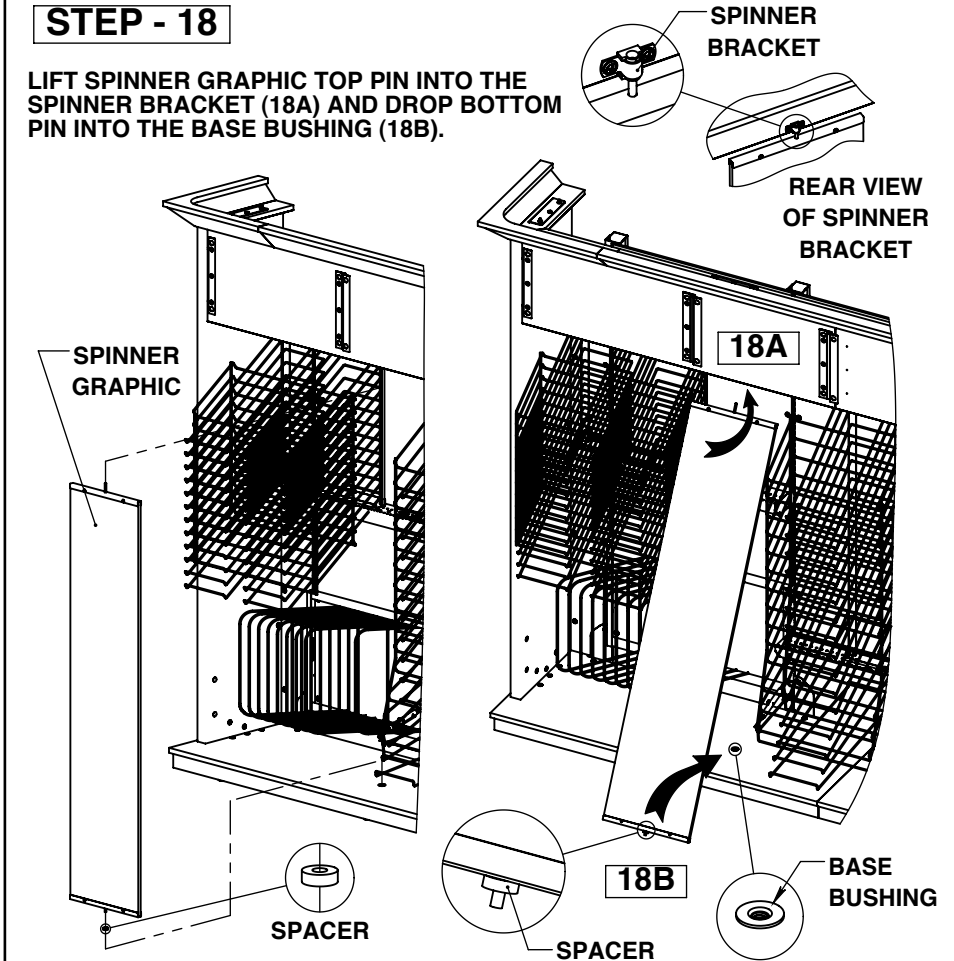
STEP - 17

"LIFT & DROP" TO INSTALL THE (12) SHELF MODULE.

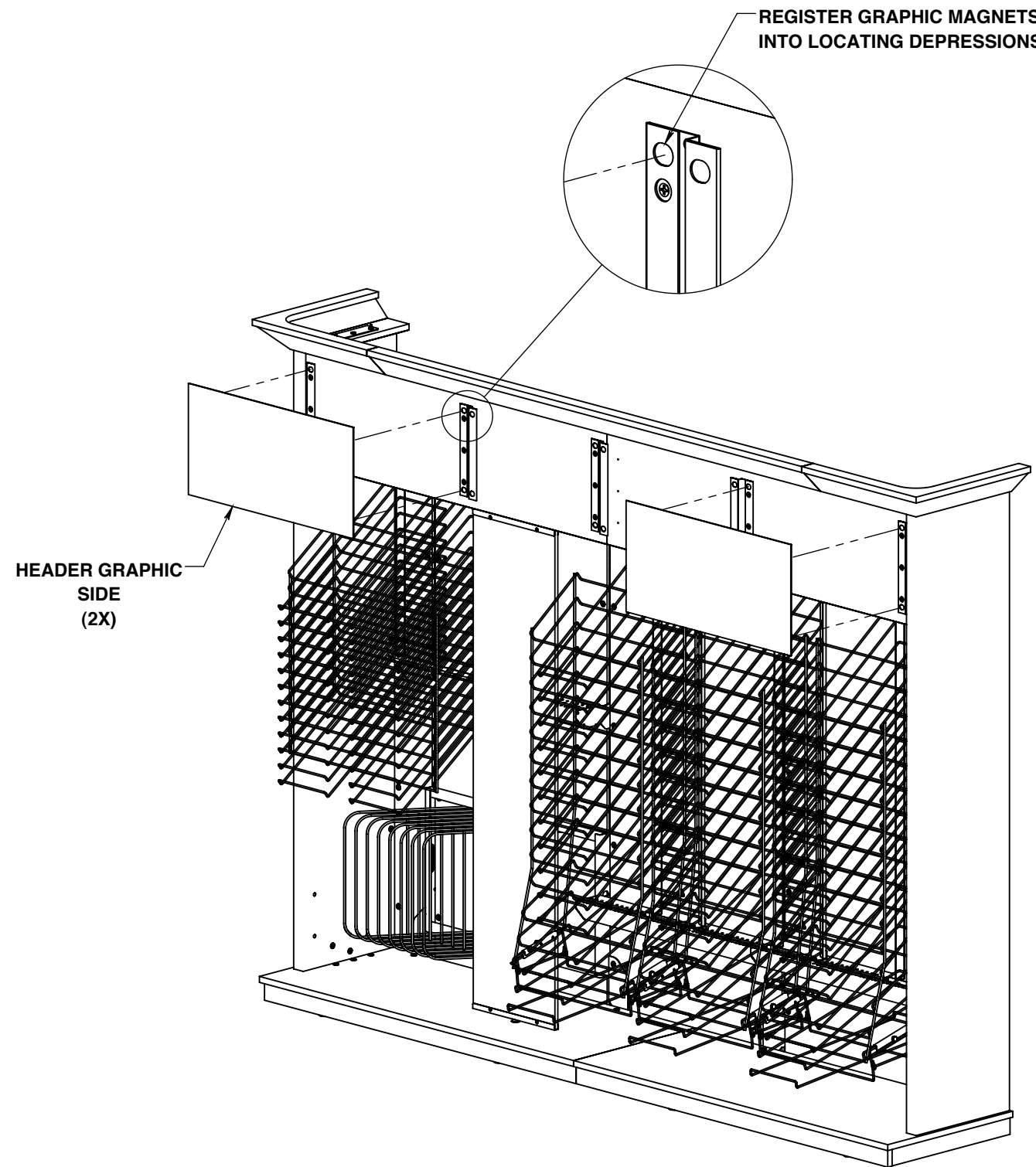


STEP - 18

LIFT SPINNER GRAPHIC TOP PIN INTO THE SPINNER BRACKET (18A) AND DROP BOTTOM PIN INTO THE BASE BUSHING (18B).



STEP - 19



STEP - 20

