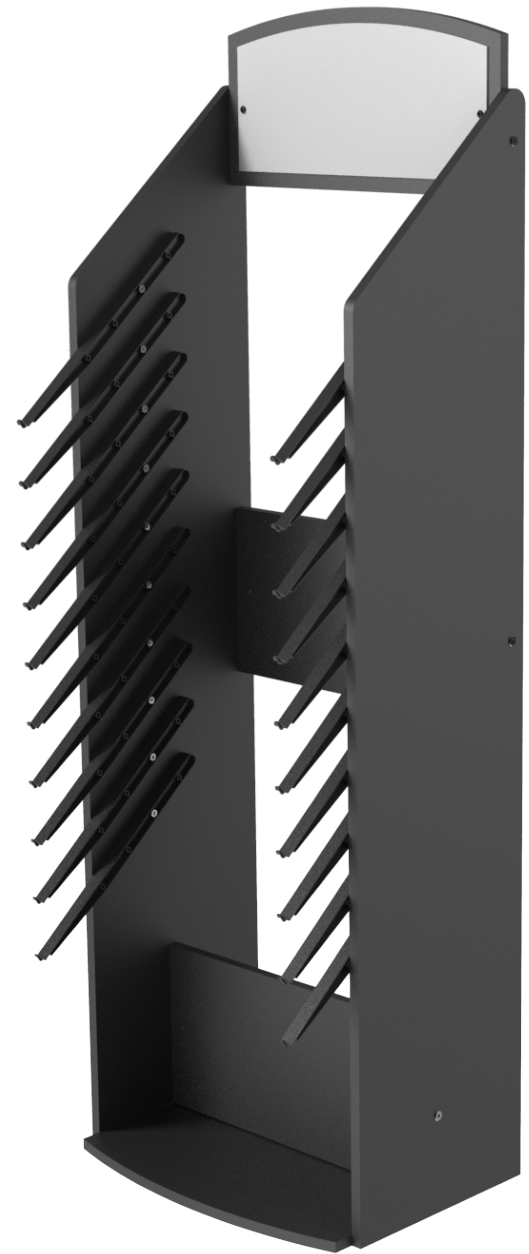


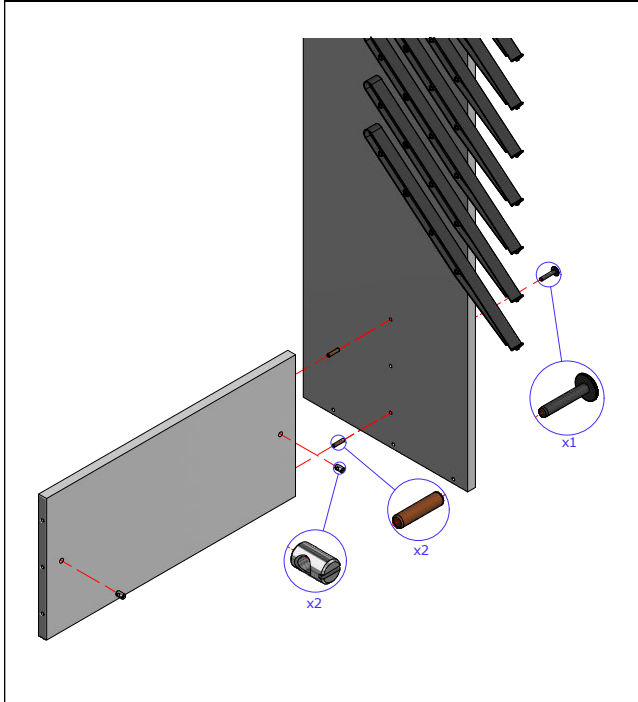


Hardwood Tower Display
ASSEMBLY INSTRUCTIONS

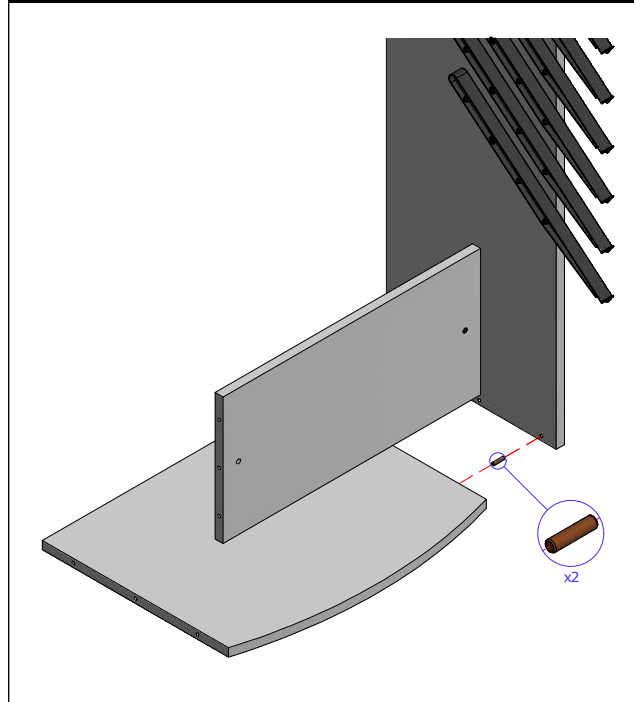
Display Footprint:
80"h x 26"w x 21"d



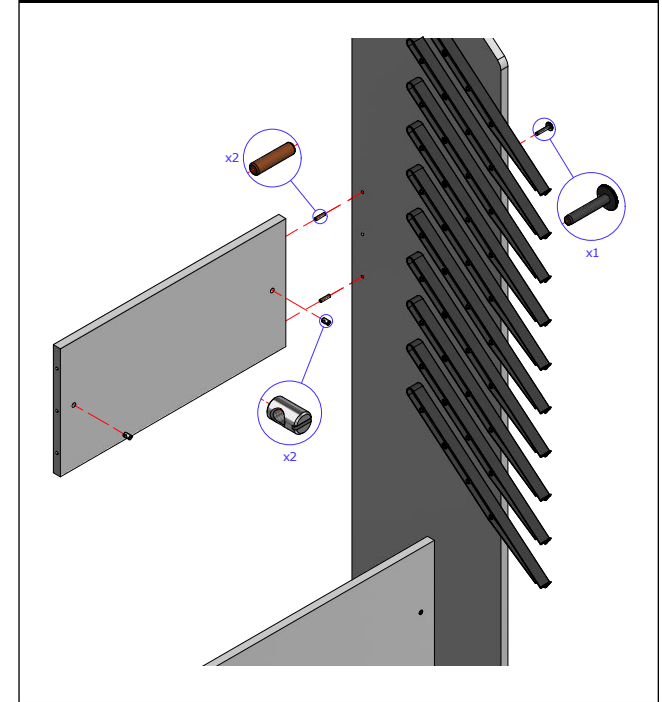
Step 1: Fully Tighten Screws



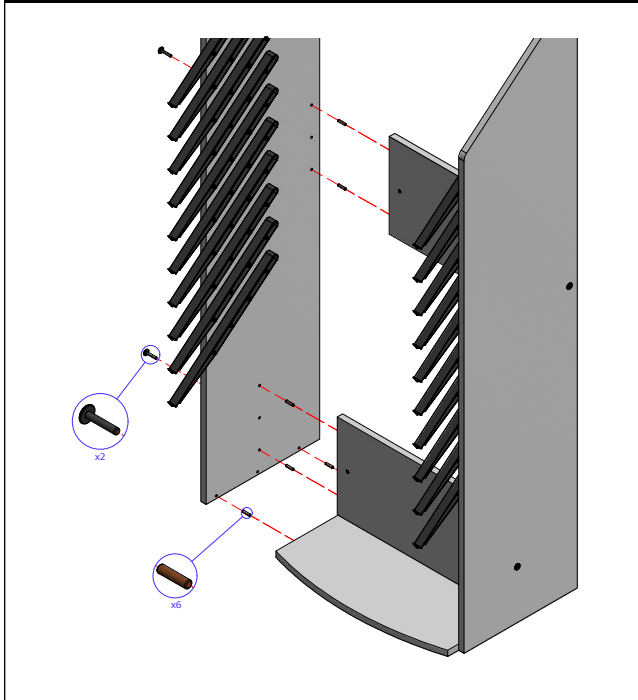
Step 2



Step 3: Fully Tighten Screws



Step 4: DO NOT fully tighten screws until step 5 is complete



Step 5

