

MANNINGTON®

60" ADURA
SOLUTION CENTER
DISPLAY
ASSEMBLY INSTRUCTIONS

Display Footprint:
63"W x 30"D x 91"H

OCT 2023

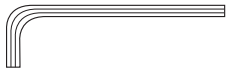
Adura 60" UltraFlex Solution Center - Display Parts List

October, 2023

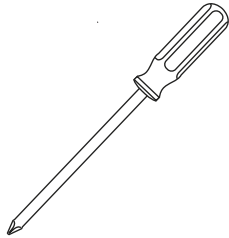
<u>Order Code</u>	<u>Material</u>	<u>Description (cartons in BOLD)</u>	<u>Carton Qty</u>	<u>Part Qty</u>
802310	147743	UltraFlex 60 - Legs/Stretchers	1	
801610	148258	leg		3
801611	148259	30" stretcher		2
801642	148292	UF60 leg hardware bag		1
801613	148261	wire literature pocket		1
n/a	n/a	Instruction Sheet		1
802311	147744	UltraFlex 60 - Hinge & Pivot Bars	1	
801614	148262	standard pivot bar		4
801616	148264	standard page stop		2
801643	148293	small environment panel bracket - right		1
801644	148294	small environment panel bracket - left		1
801645	148295	UF60 pivot hardware bag		1
802312	147745	UltraFlex 60 - Back Panels	1	
801621	148269	standard back panel - black		2
802313	147746	UltraFlex 60 - Base	1	
n/a	n/a	60" curved base - ZebraWood		1

<u>Order Code</u>	<u>Material</u>	<u>Description (cartons in BOLD)</u>	<u>Carton Qty</u>	<u>Part Qty</u>
804496	288908	UltraFlex 60 - Upper Components & Lights - 2023	1	
801626	148274	category bracket		2
801627	148275	light fixture A		2
804502	288914	header panel		1
n/a	n/a	multi outlet strip		1
801629	148277	30" header graphic holder		1
801648	148298	UF60 upper component hardware bag		1
805978	471932	Adura 60" Graphic Kit	1	
n/a	n/a	Environment (Adura) Overlay		1
n/a	n/a	Room Scene (Header) Graphic		1
n/a	n/a	Category Header Graphic		1
805979	471933	Discover Adura Feature Panel	1	
Page Frames included as 2023 - note, this may change as products change				
802261	158230	LA UltraFrame B15/B15 - 5 per carton	3	
801400	173110	LA UltraFrame A15/B15 (1) + B15/A15 (1)	1	
800018	392956	LA UltraFrame D16/D16 - 3 per carton	1	

TOOLS



4mm HEX KEY



PHILLIPS HEAD
SCREWDRIVER

SAFETY

Failure to follow the assembly directions could result in damage or injury.

Install in a level and stable location.

Assemble display in the area it will occupy. Never attempt to move display after loading.



When using any power tools, always use eye protection.



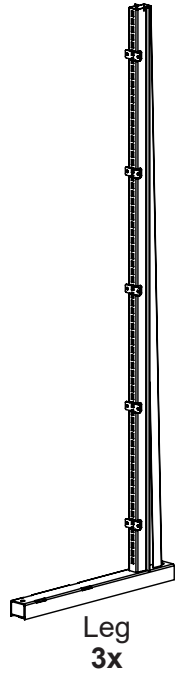
Do not work on this display with product in it. Unload display before relocating unit. Failure to do this may result in injury.



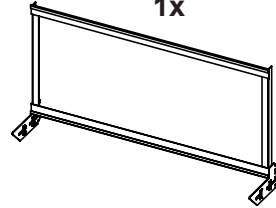
877.233.7962

For customer assistance, ask for a MANNINGTON representative.

PARTS



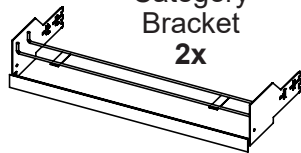
30" Header
Graphic Holder
1x



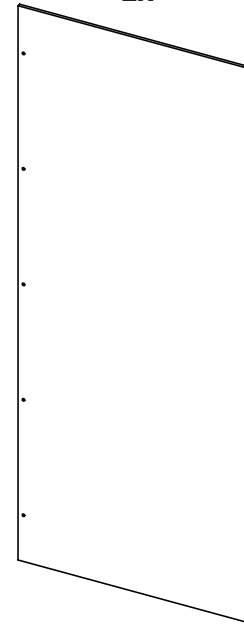
LED
Fixture
2x



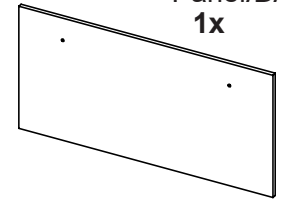
Category
Bracket
2x



Standard Back
Panel Black
2x



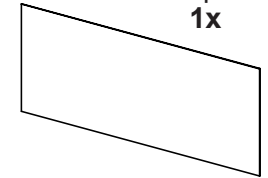
header
Panel
1x



Standard
Pivot Bar
4x



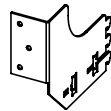
30" Resilient Header
Graphic
1x



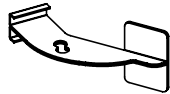
30" Stretcher
2x



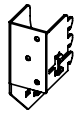
Environment
Panel
Right Bracket
1x



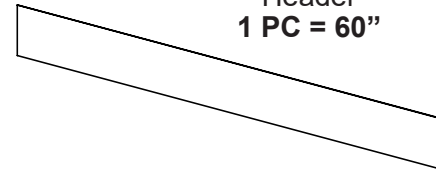
Standard
Page Stop
2x



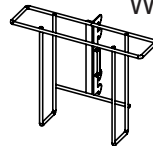
Environment
Panel
Left Bracket
1x



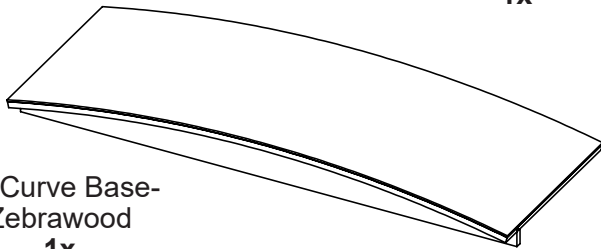
Resilient Category
Header
1 PC = 60"



Wire Literature
Holder
1x



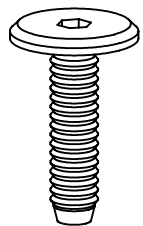
60" Curve Base-
Zebrawood
1x



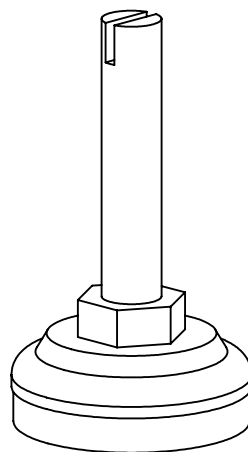
877.233.7962

For customer assistance, ask for a MANNINGTON representative.

HARDWARE



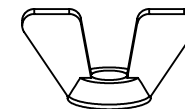
25mm Bolt
21x



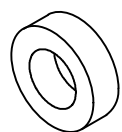
Leveler
4x



#10 x 1/2"
Screw
6x



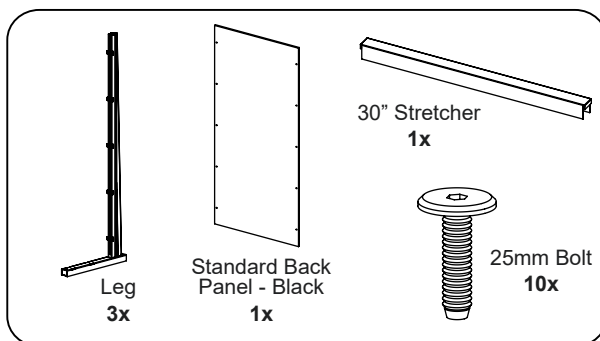
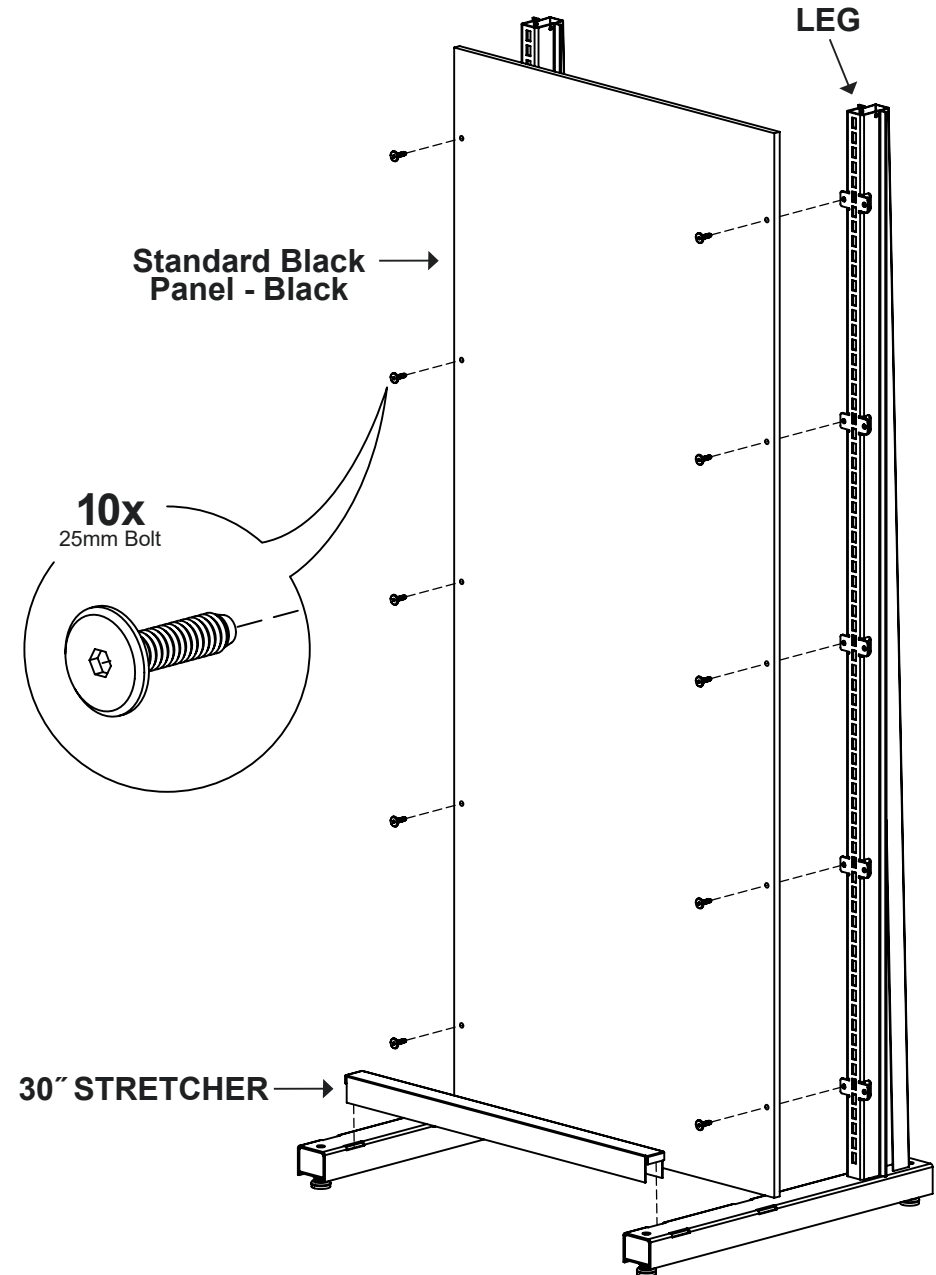
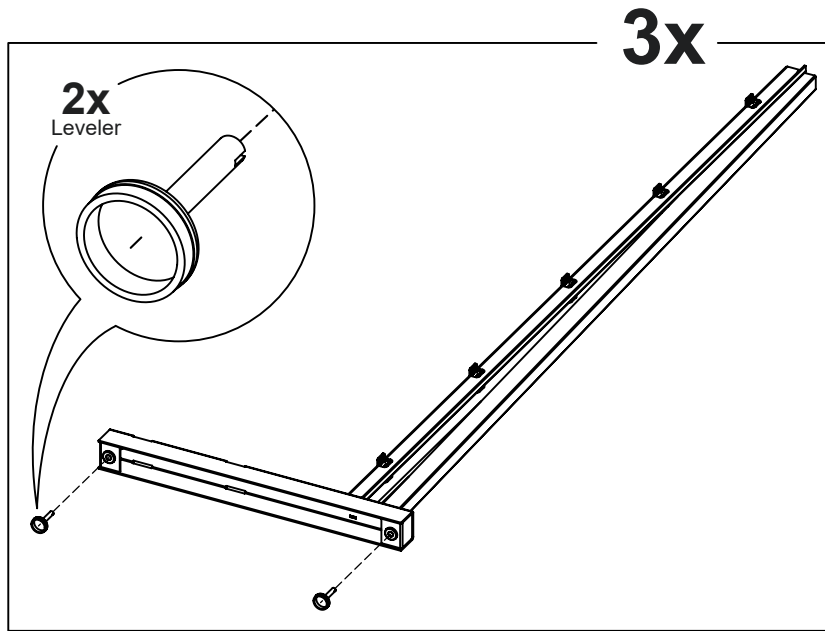
Wing Nut
1x



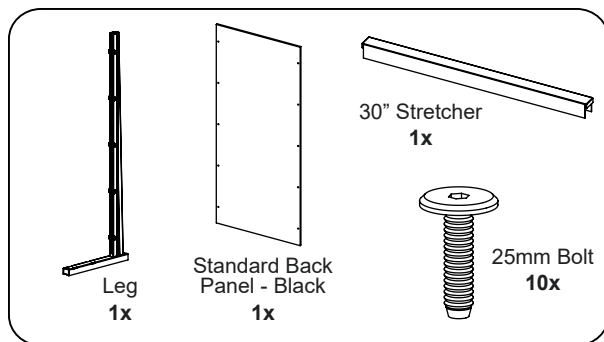
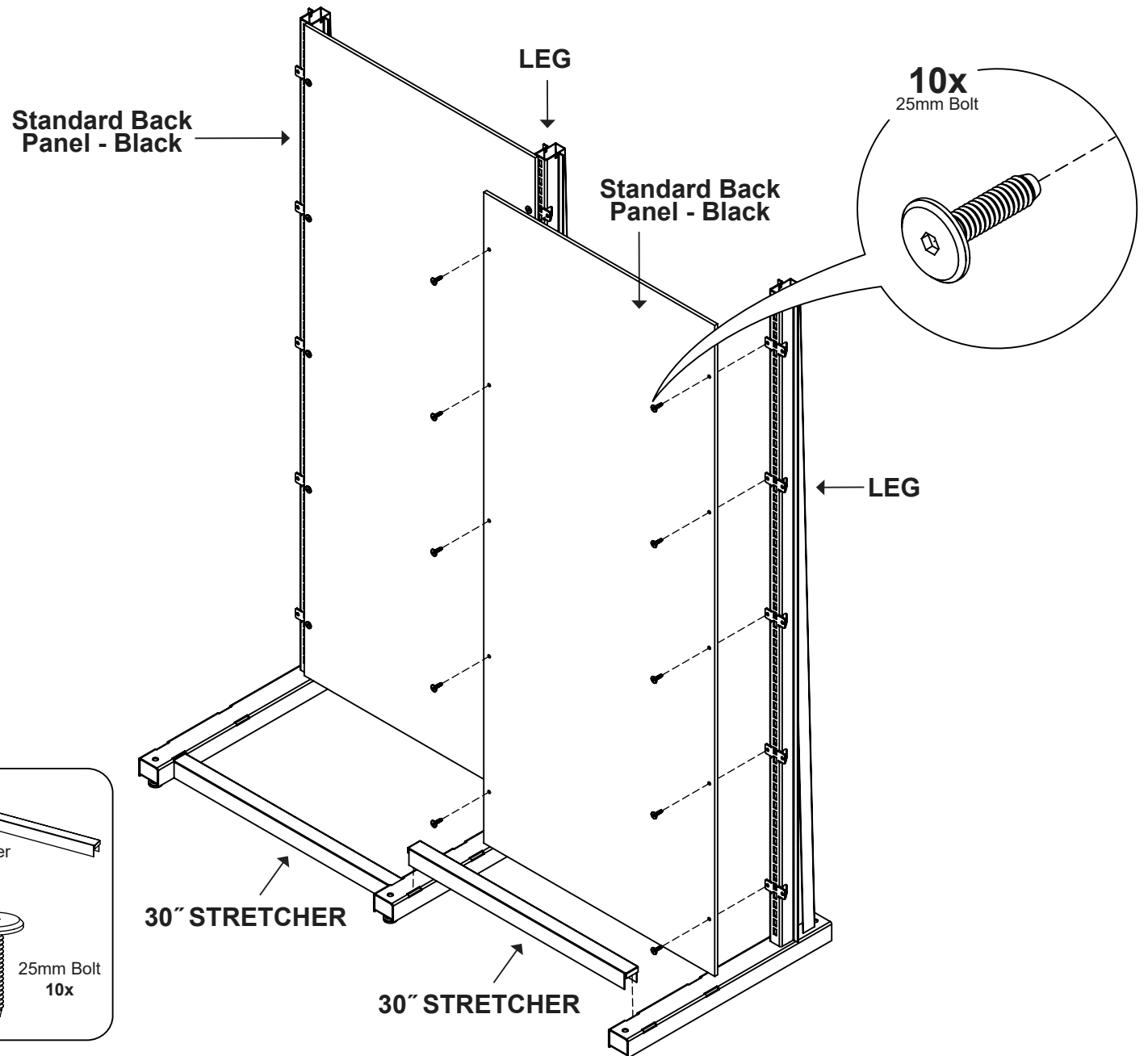
Nylon
Washer
1x



Step 1

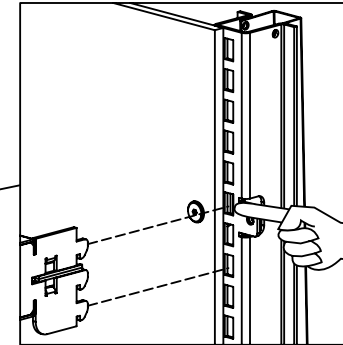


Step 2

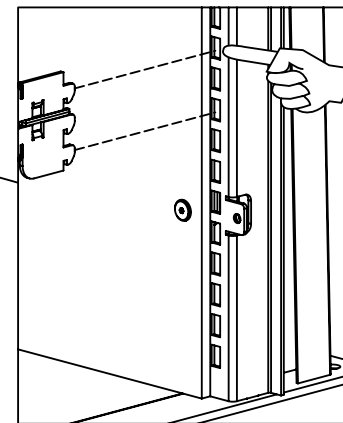


Step 3

STANDARD
PIVOT BAR
4x

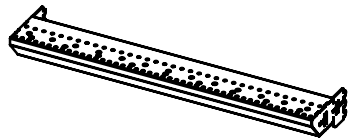
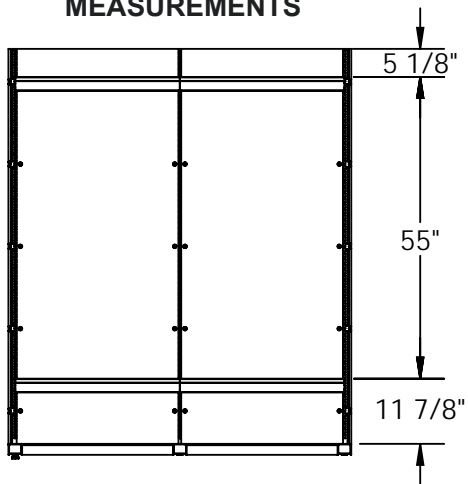


6th
NOTCH
DOWN

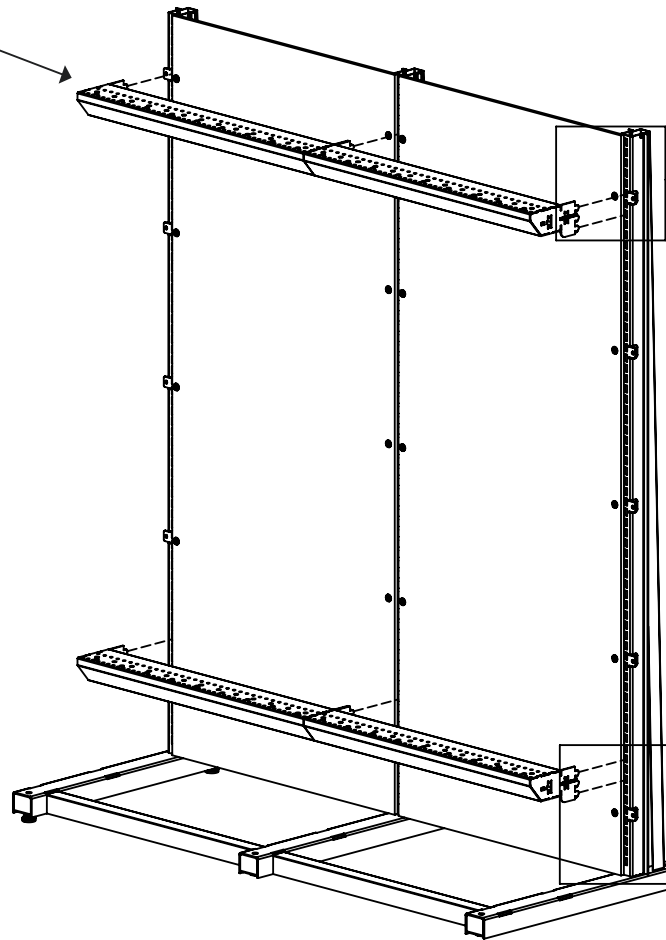


11th
NOTCH
UP

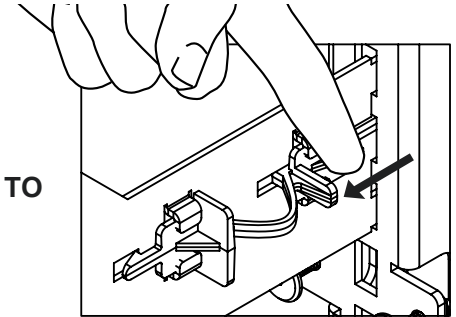

APPROX.
MEASUREMENTS



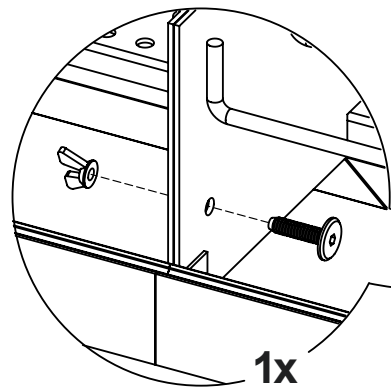
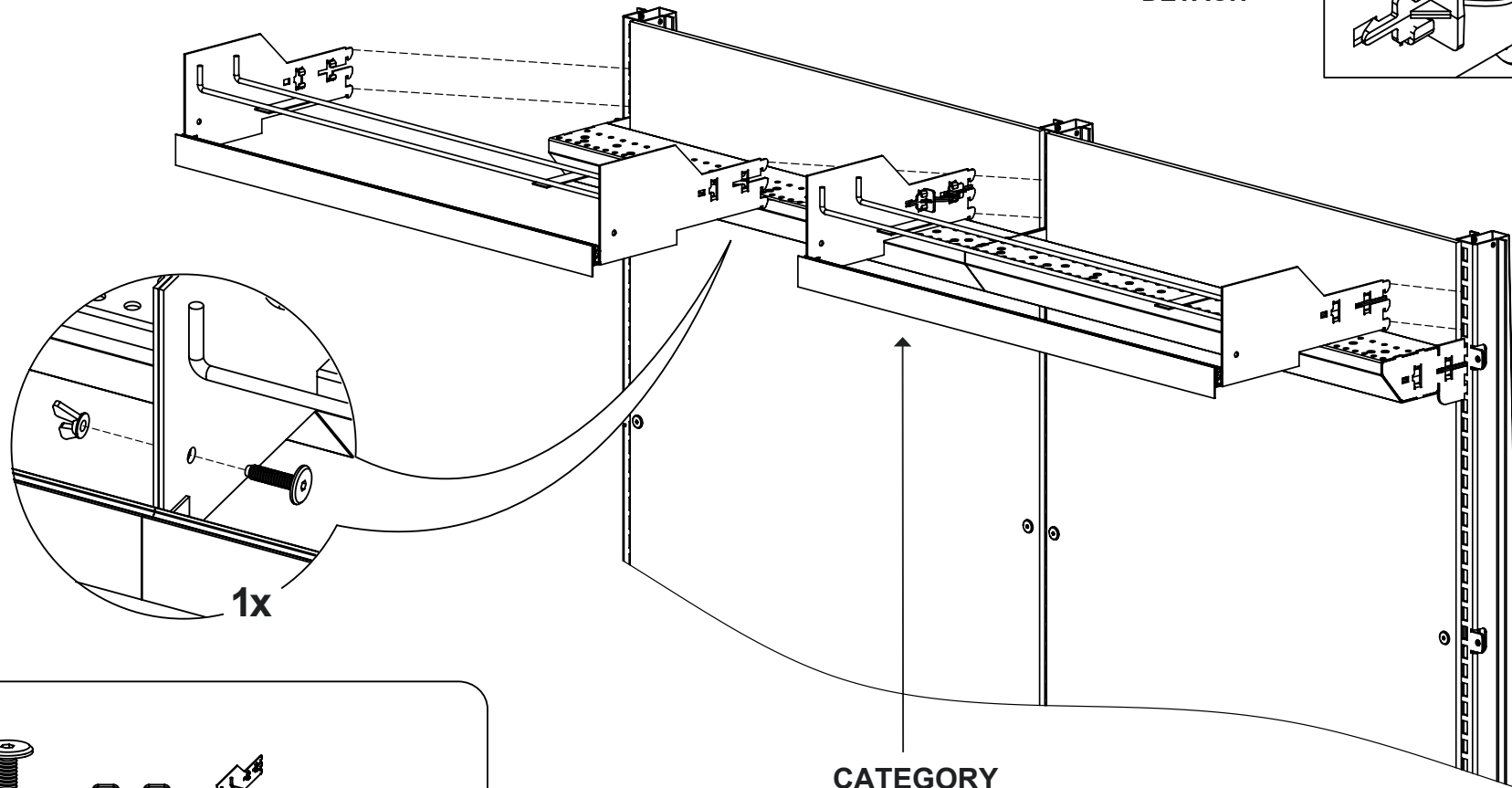
Standard Pivot Bar
4x



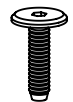
Step 4




**PULL BACK TO
DETACH**



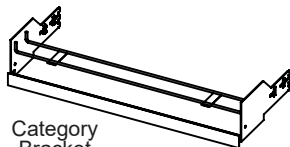
1x



25mm Bolt
1x



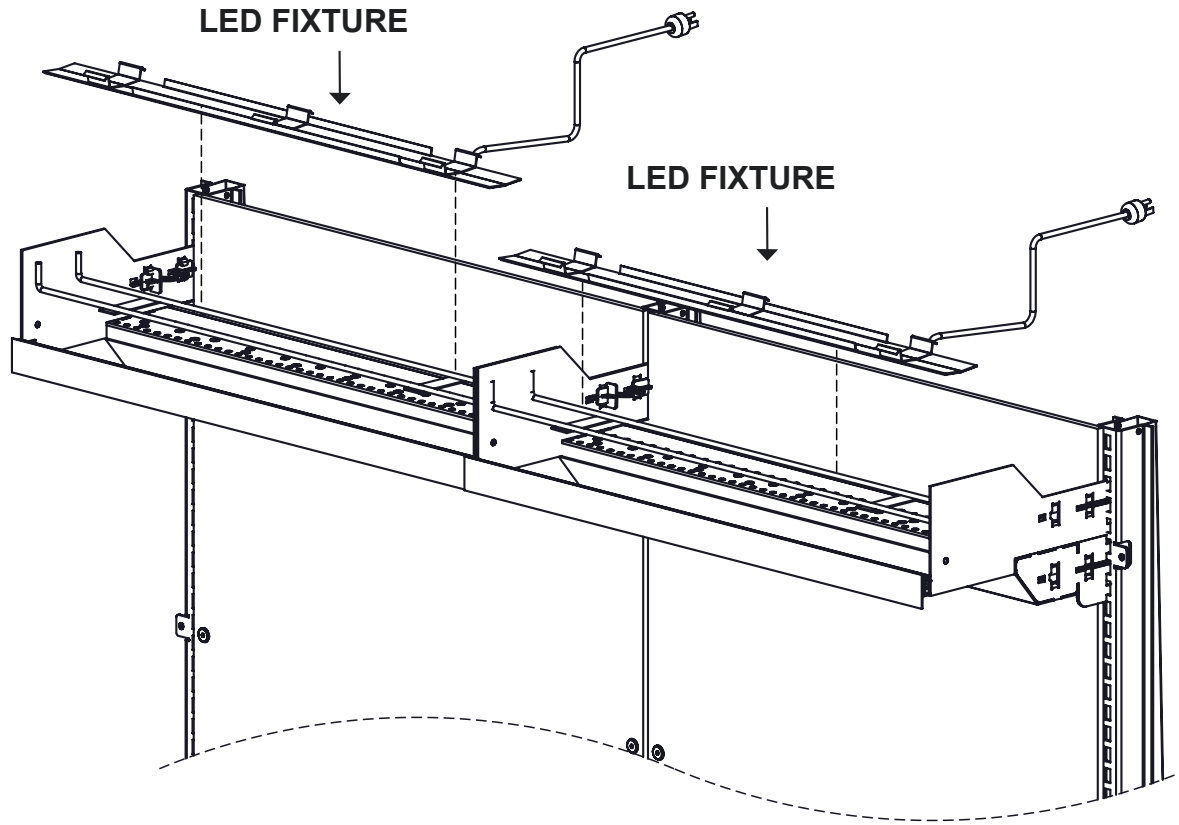
Wing Nut
1x



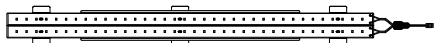
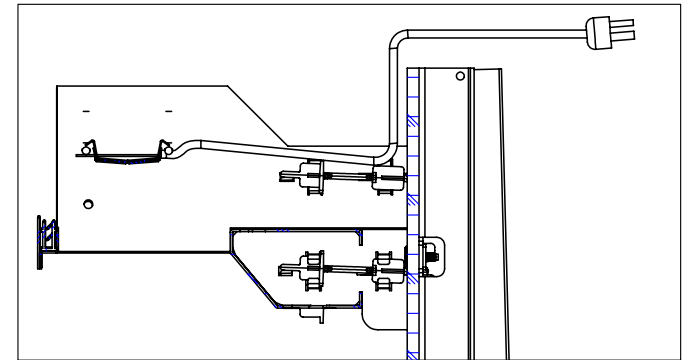
Category
Bracket
2x

**CATEGORY
BRACKET**

Step 5



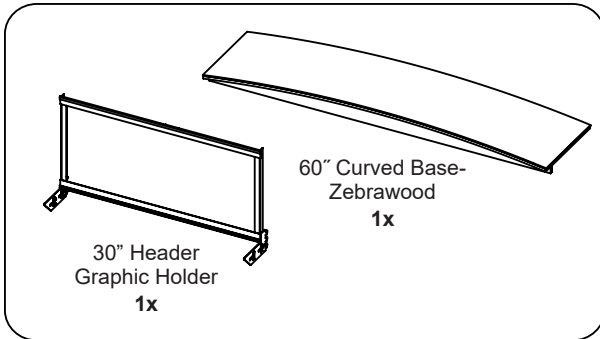
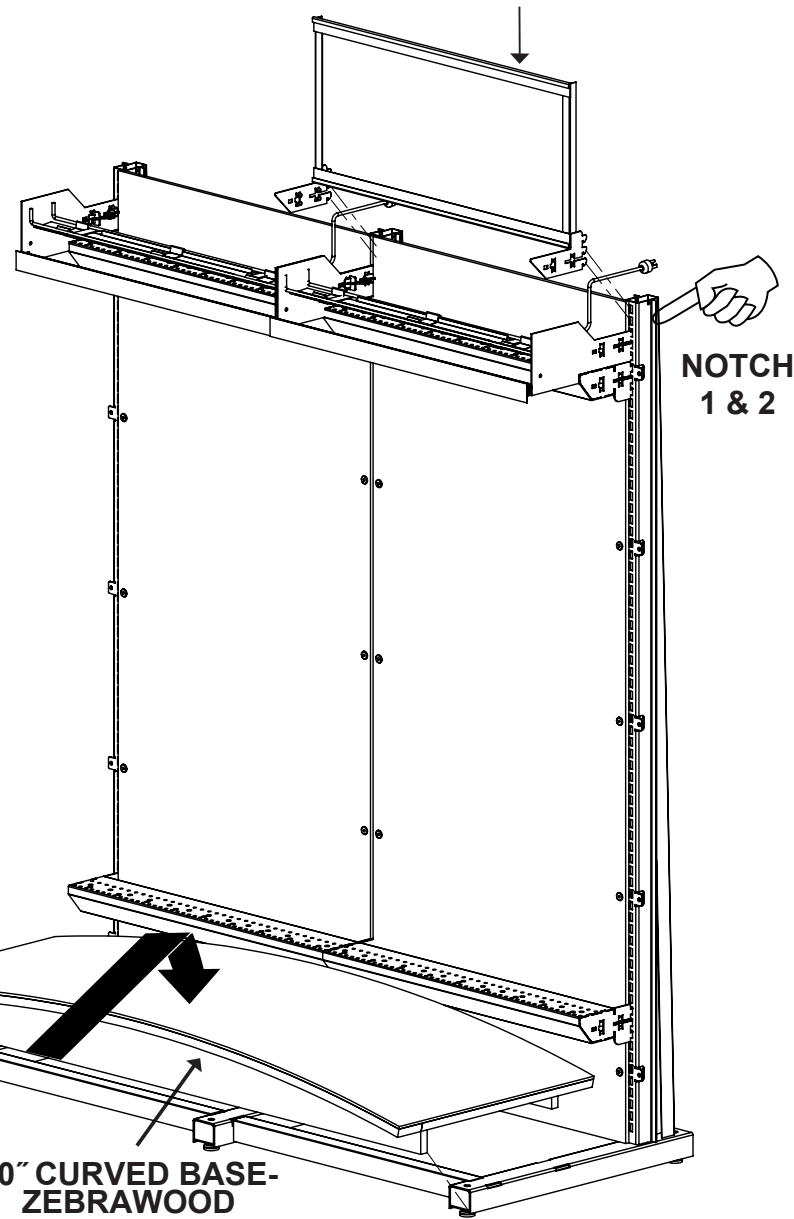
CORD OVER
BACK WALL



LED Fixture
2x

Step 6

30" HEADER
GRAPHIC HOLDER



Step 7

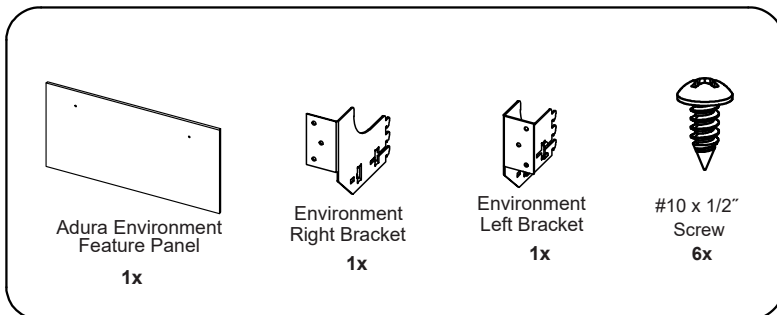
SMALL
ADURA ENVIRONMENT
PANEL & OVERLAY

ENVIRONMENT
PANEL RIGHT
BRACKET

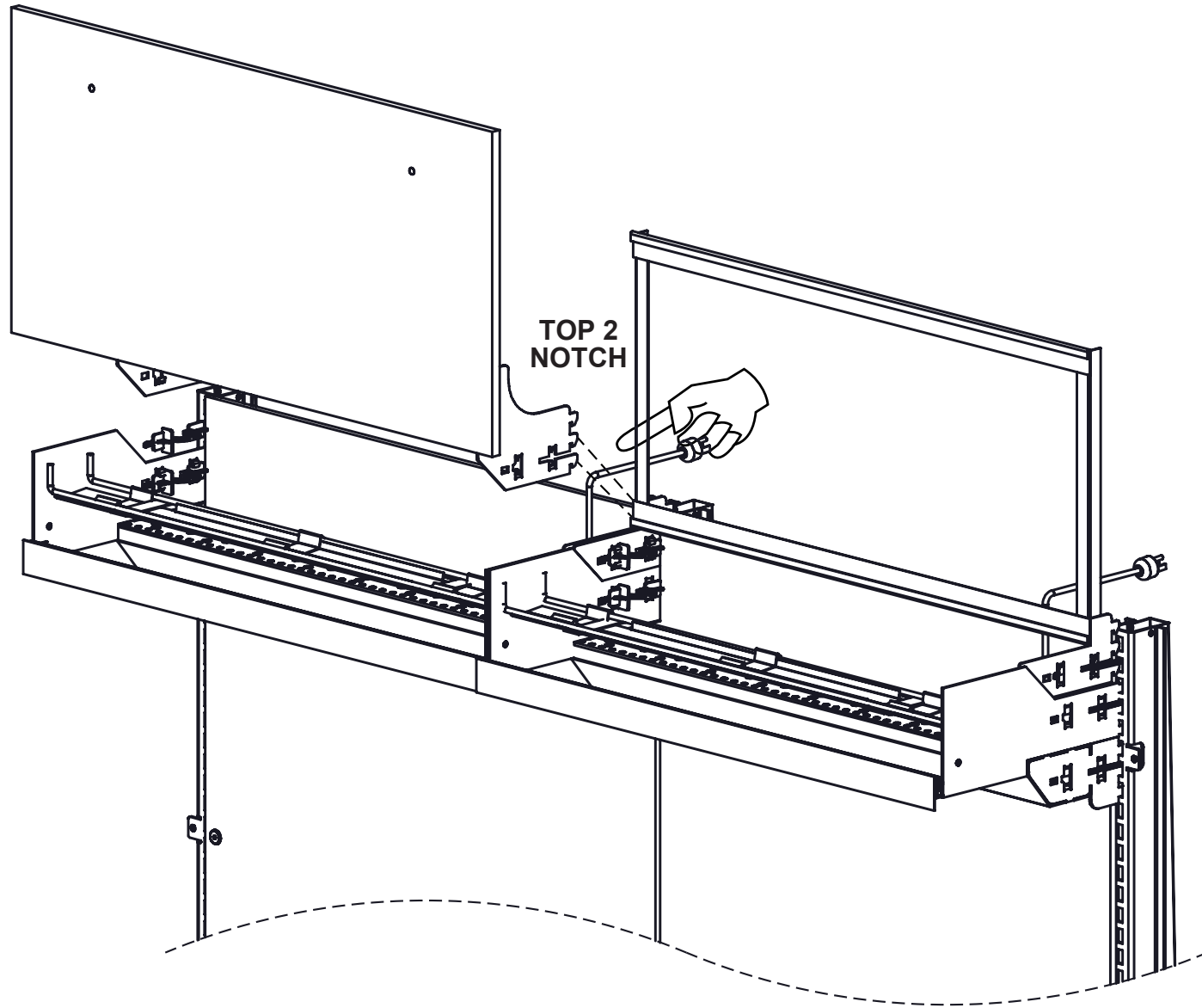
BACK VIEW

ENVIRONMENT
PANEL LEFT
BRACKET

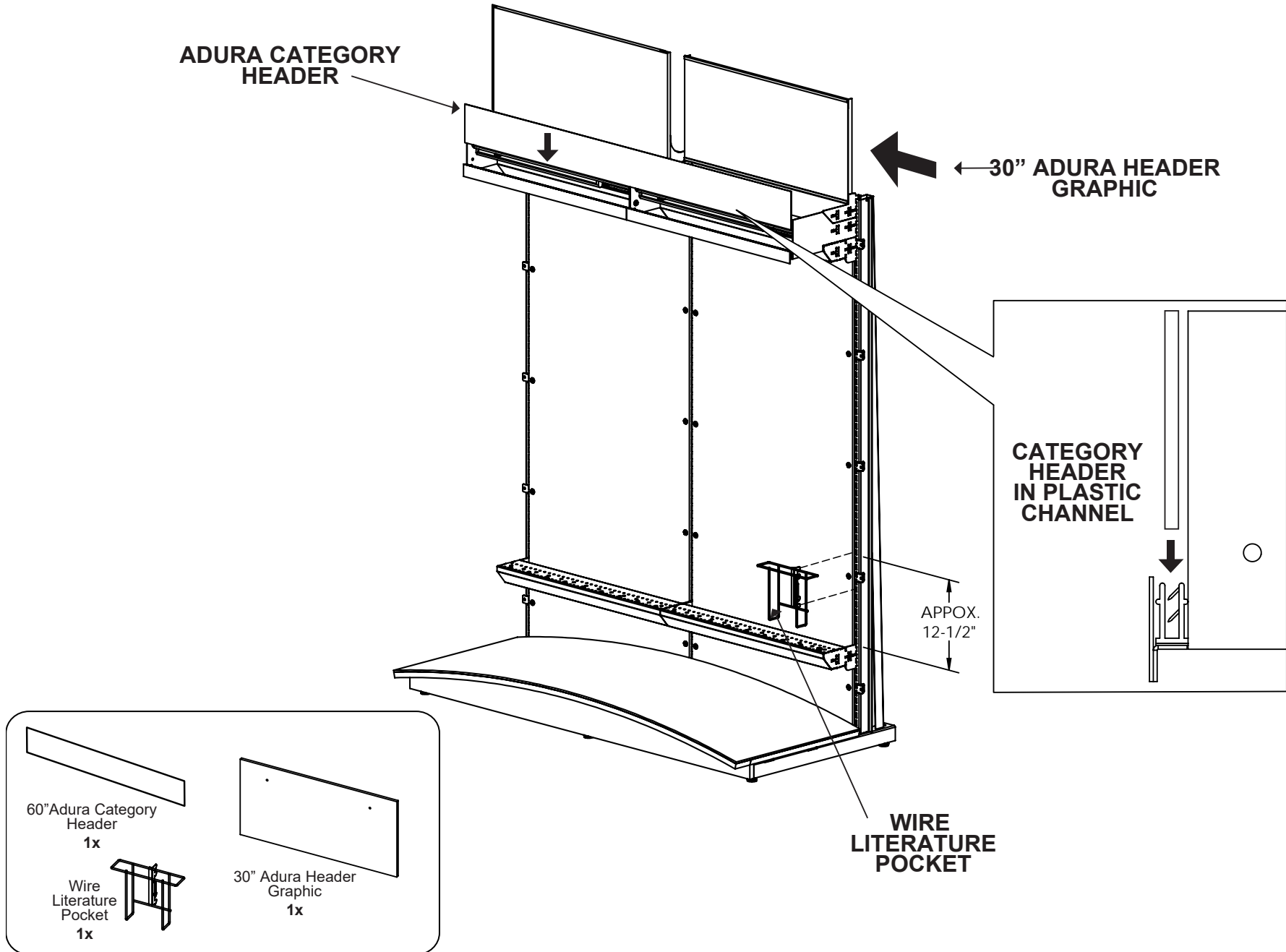
6x
#10 x 1/2"
Screw



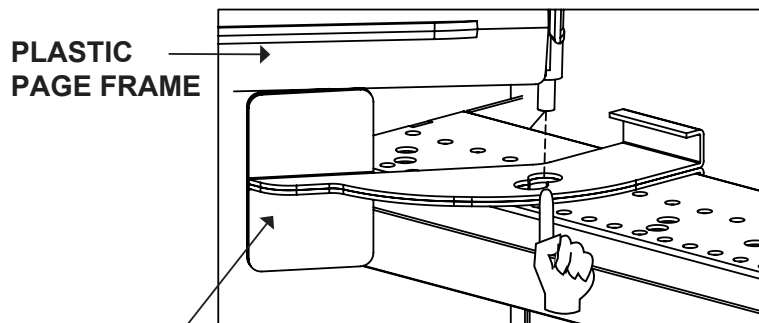
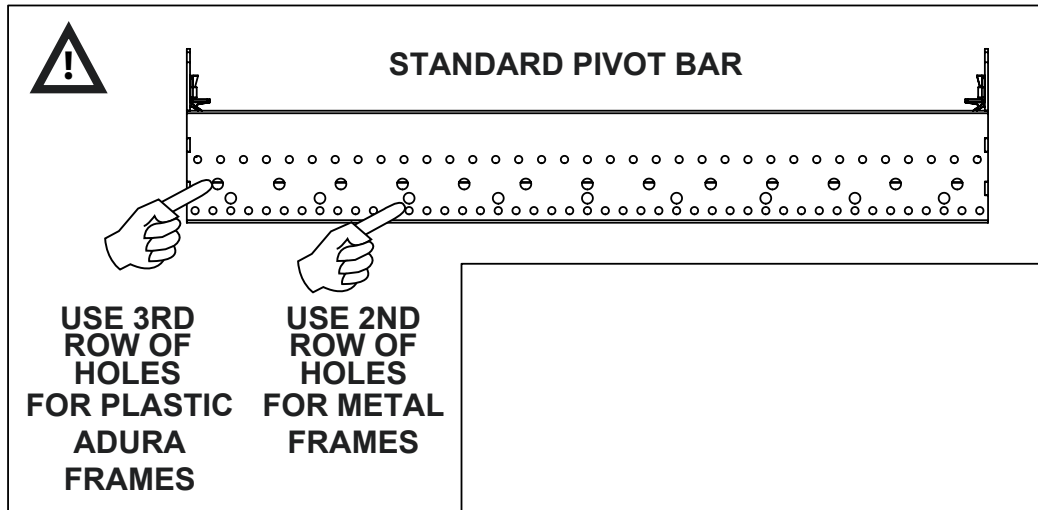
Step 8



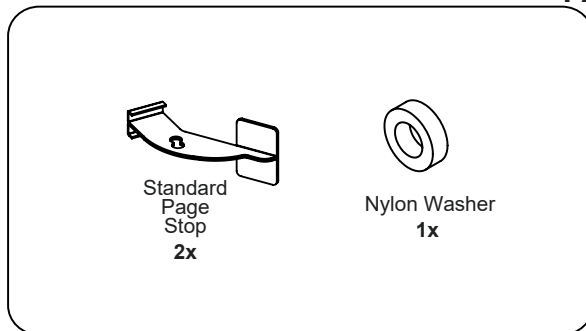
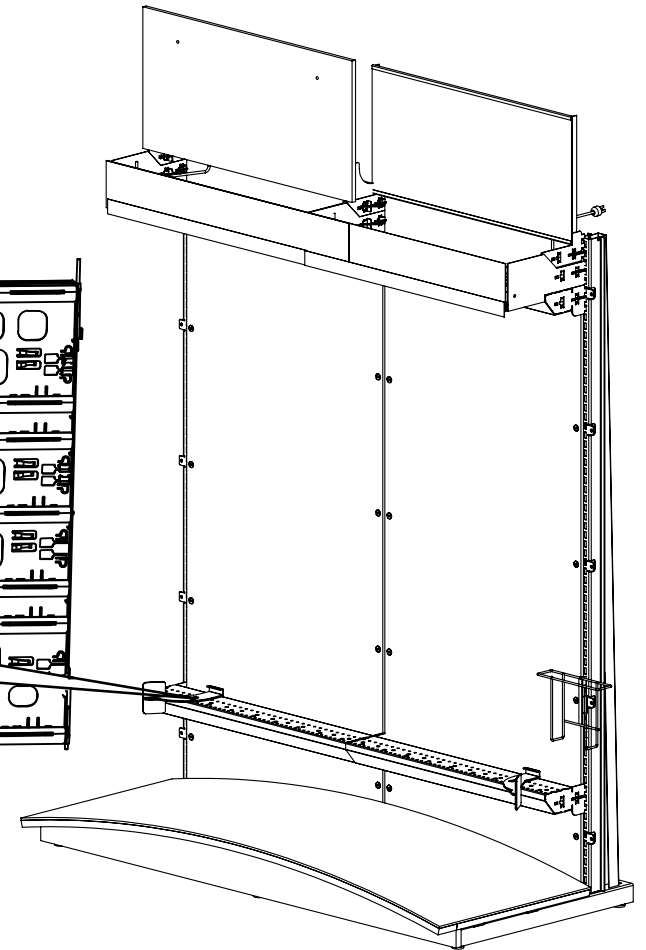
Step 9



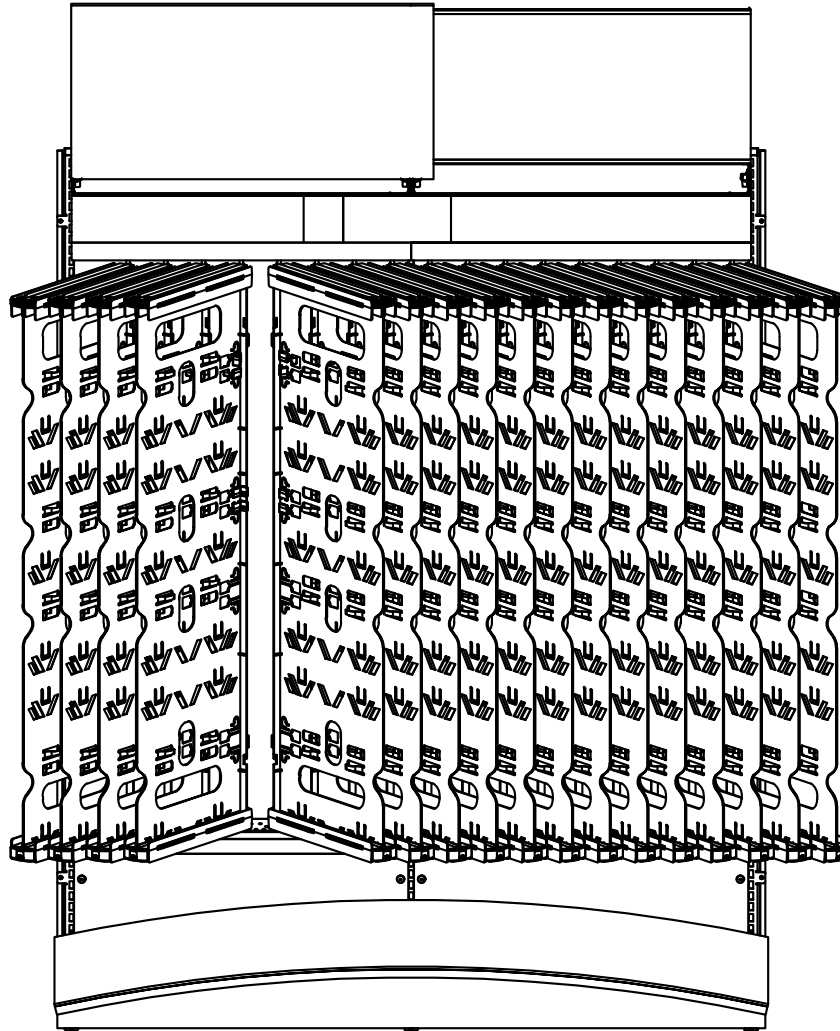
Step 10



USE PAGE STOP ON FAR LEFT AND PAGE STOP ON FAR RIGHT

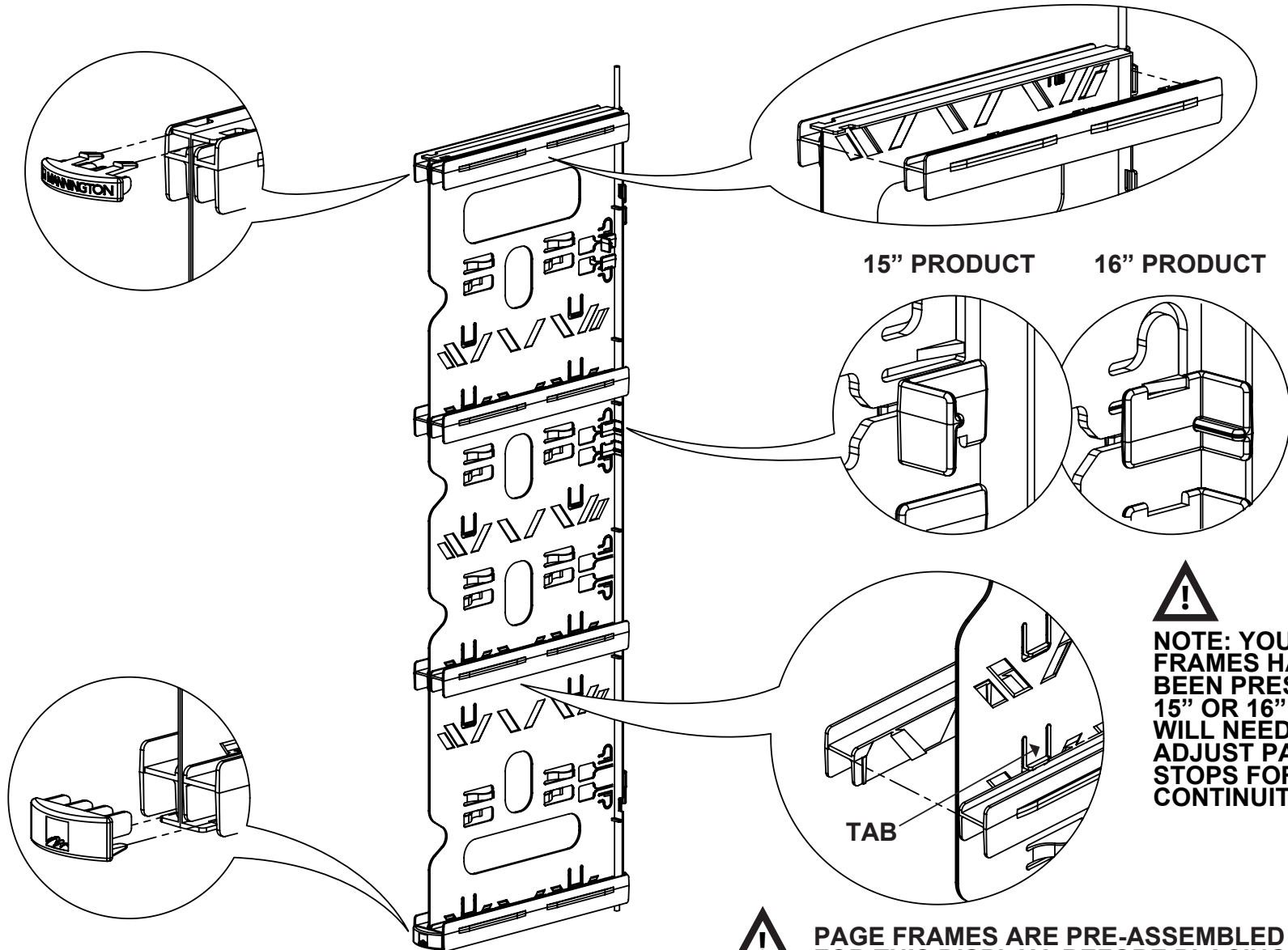


Step 11



SEE PLAN-O-GRAM FOR SAMPLES
AND PAGE FRAME LAYOUT

Page Frame Detail



NOTE: YOUR FRAMES HAVE BEEN PRESET AT 15" OR 16" YOU WILL NEED TO ADJUST PAGE STOPS FOR VISUAL CONTINUITY.



PAGE FRAMES ARE PRE-ASSEMBLED FOR THIS DISPLAY. BEFORE PLACING SAMPLES MAKE SURE THIS TAB IS ABOVE EACH RAIL TO ENSURE RAIL IS SECURE.