

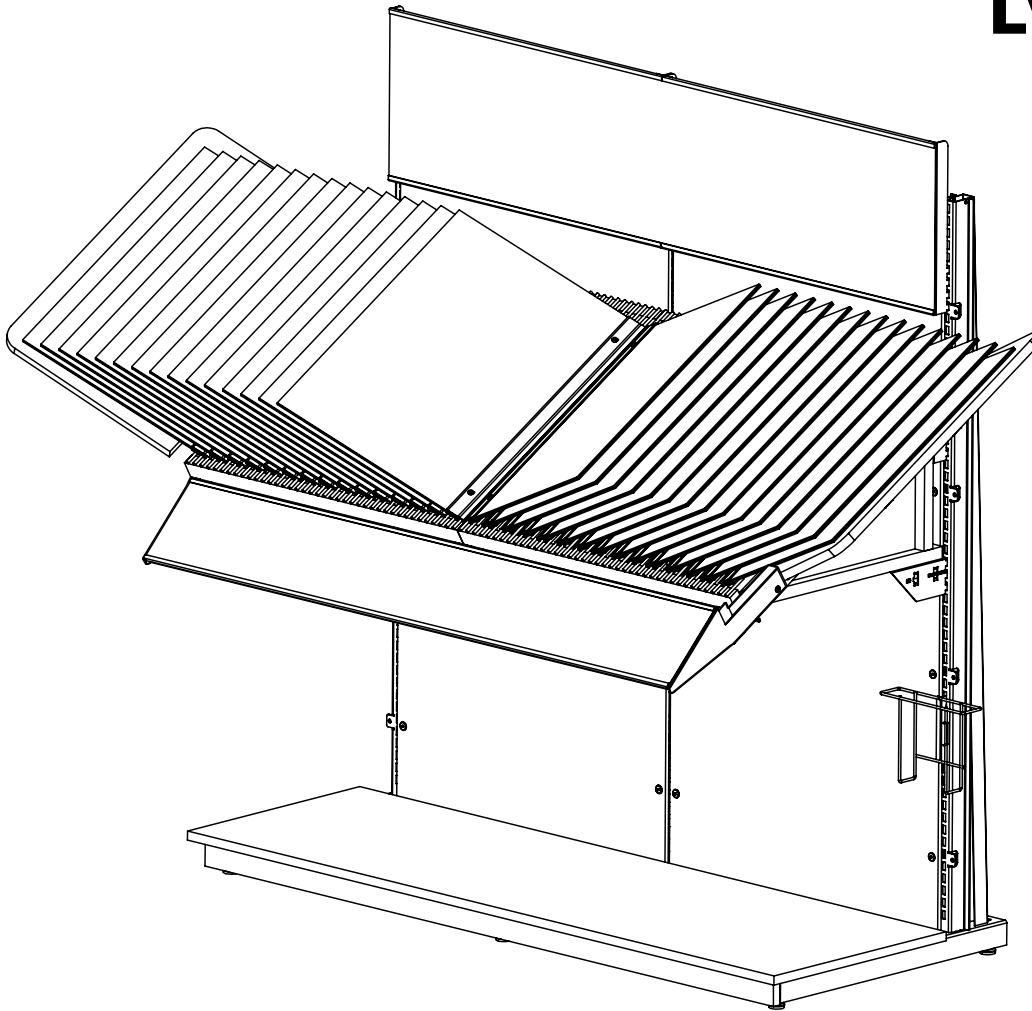


LVS ULTRA FLEX 60 DISPLAY

ASSEMBLY INSTRUCTIONS

Display Footprint:
36" x 65" x 68"

January 2017



LVS UltraFlex 60 Parts List

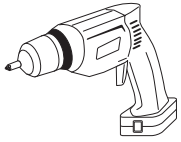
January, 2017

Order Code	Material	Description (cartons in BOLD)	Carton Qty	Part Qty	Order Code	Material	Description (cartons in BOLD)	Carton Qty	Part Qty
803024	214711	LVS UF 60 - Legs & Stretchers	1		801748	166636	UltraFlex 60 - Flat Base	1	
801755	166642	62" Leg		3	n/a	n/a	60" Flat Base		1
801611	148259	30" Stretcher		2					
801613	148261	Wire Literature Pocket		1	801749	166637	UltraFlex 60 - Back Panels - short	1	
n/a	n/a	LVS UF 60 Instruction Sheet		1	801763	166650	back panel - short		2
801757	166644	Short Leg Hardware Bag		1					
801747	166635	LVS UF60 - Main Components	1		900377	348248	LVS Graphics - 2017 update	1	
801758	166645	LVS Product Frame		2	803842	276205	LVS 60" Header Graphic - 2017 update		1
801759	166646	Header Frame - no lock		2	803843	276206	LVS 60" Shelf Graphic		1
801342	163232	Right Gusset		2	801857	173932	Left Graphic Support Bracket		2
801343	163233	Left Gusset		2	801858	173933	Right Graphic Support Bracket		2
801760	166647	Outrigger Support		4	801856	173931	Front Graphic Channel		1
701761	166648	LVS Outrigger		2	n/a	n/a	LVS instruction sheet		1
801762	166649	LVS 60 - Main Component Hardware Bag		1	803844	276207	LVS 60" Hardware Bag		1



For customer assistance call **877.233.7962**
to speak with a customer representative.

RECOMMENDED TOOLS



**CORDLESS
POWER DRILL**



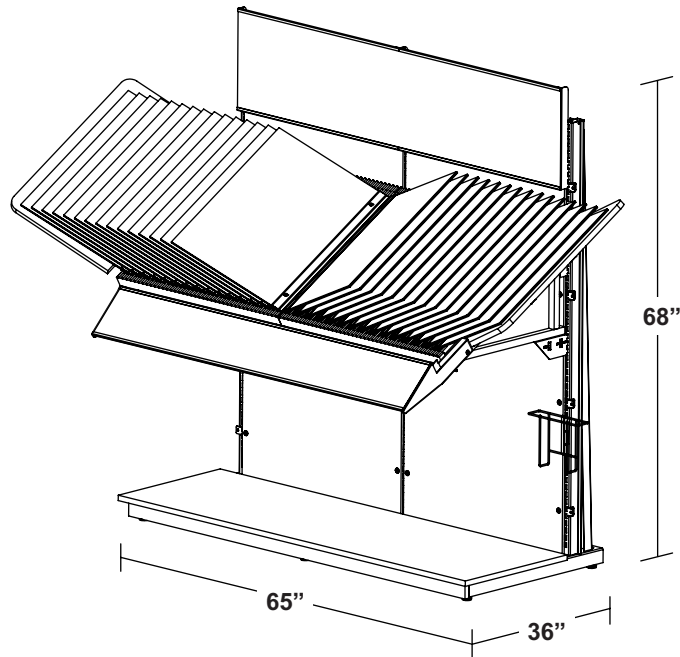
4MM HEX KEY
(included in hardware bag)



**PHILLIPS HEAD
SCREWDRIVER**



HAMMER



Be sure to provide a minimum of 65" to install this display.
Display Footprint: 65"W x 36"D x 68"H



**HAND TIGHTEN ALL FASTENERS
DURING ASSEMBLY.**

**WHEN ASSEMBLY IS COMPLETED
USE APPROPRIATE TOOLS TO SECURE
ALL FASTENERS PERMANENTLY.**

SAFETY GUIDELINES

Failure to follow the assembly directions could result in damage or injury.

Install in a level and stable location. If not on a level surface please level before final installation.

Assemble display in the area it will occupy. Never attempt to move display after loading.

When using any power tools, always use eye protection.



Do not work on this display with product in it. Unload display before relocating unit. Failure to do this may result in damage or injury.



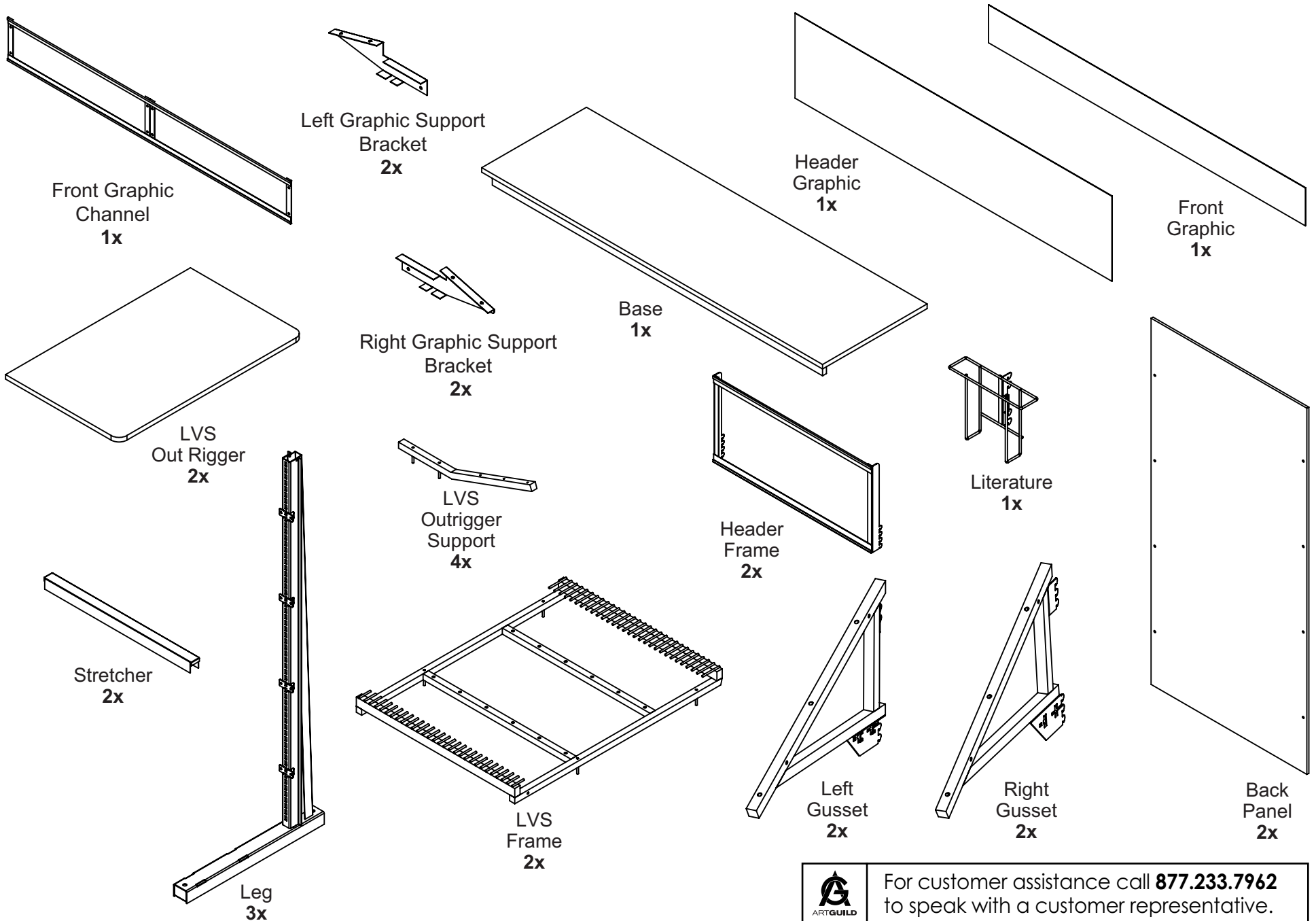
For proper installation and safety follow all steps in sequential order.

Two people preferred to set up this display.



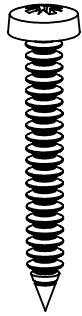
For customer assistance call **877.233.7962** to speak with a customer representative.

PARTS

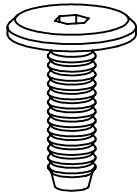


For customer assistance call **877.233.7962** to speak with a customer representative.

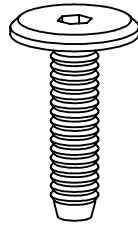
HARDWARE



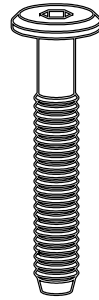
#10 x 1 1/2
Screw
12x



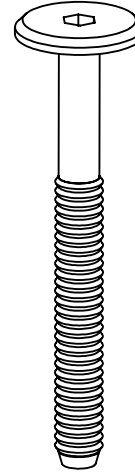
20mm
Bolt
8x



25mm
Bolt
16x



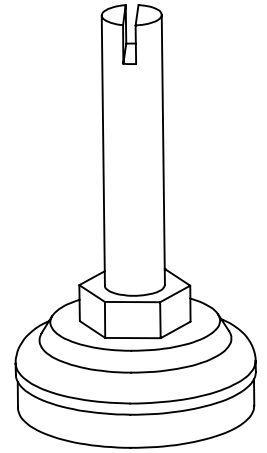
40mm
Bolt
2x



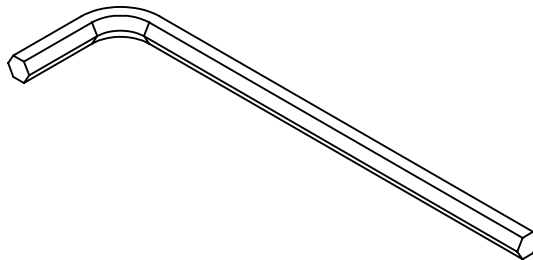
65mm
Bolt
2x



1/4-20
Wingnut
20x



Leveler
6x

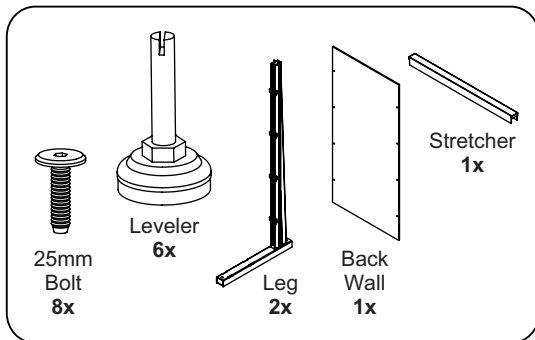
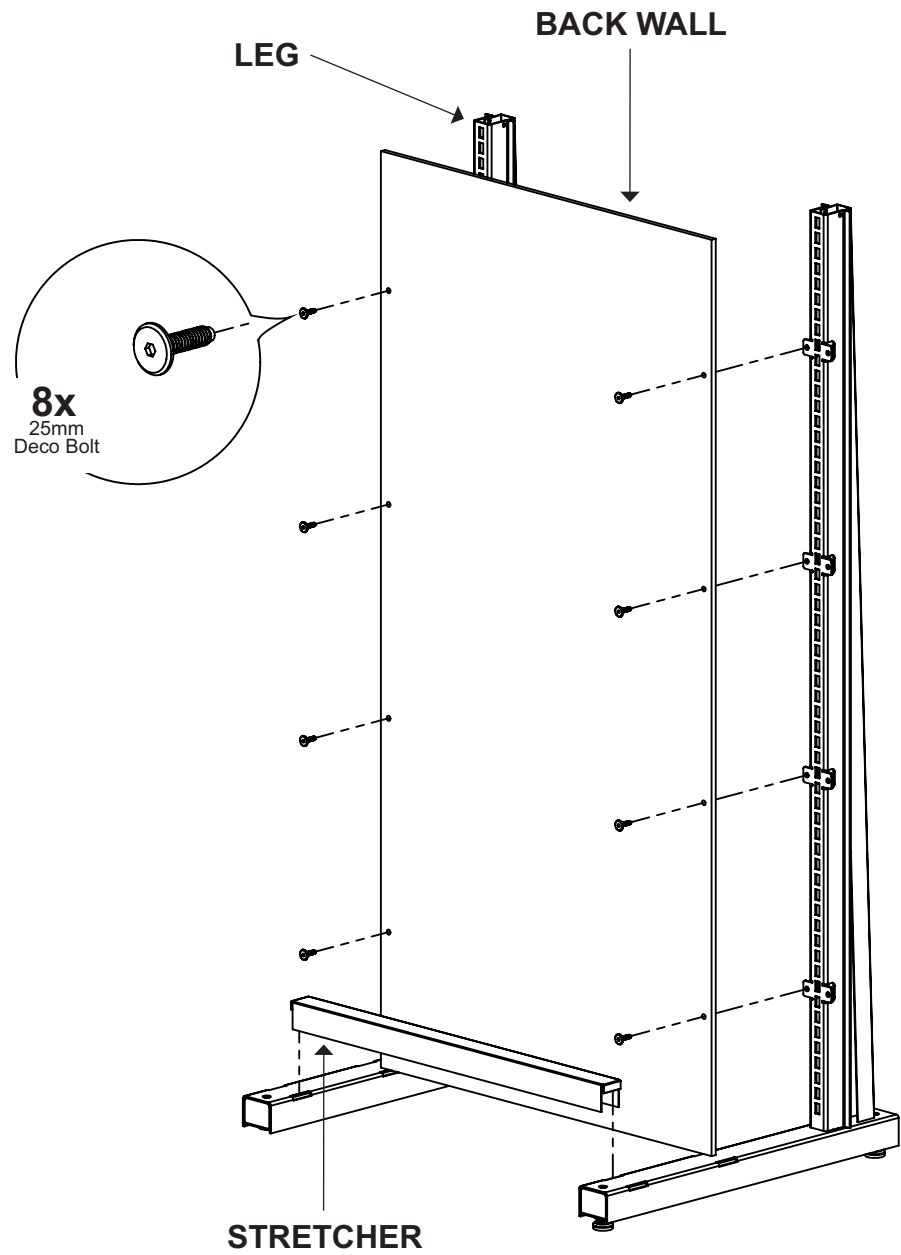
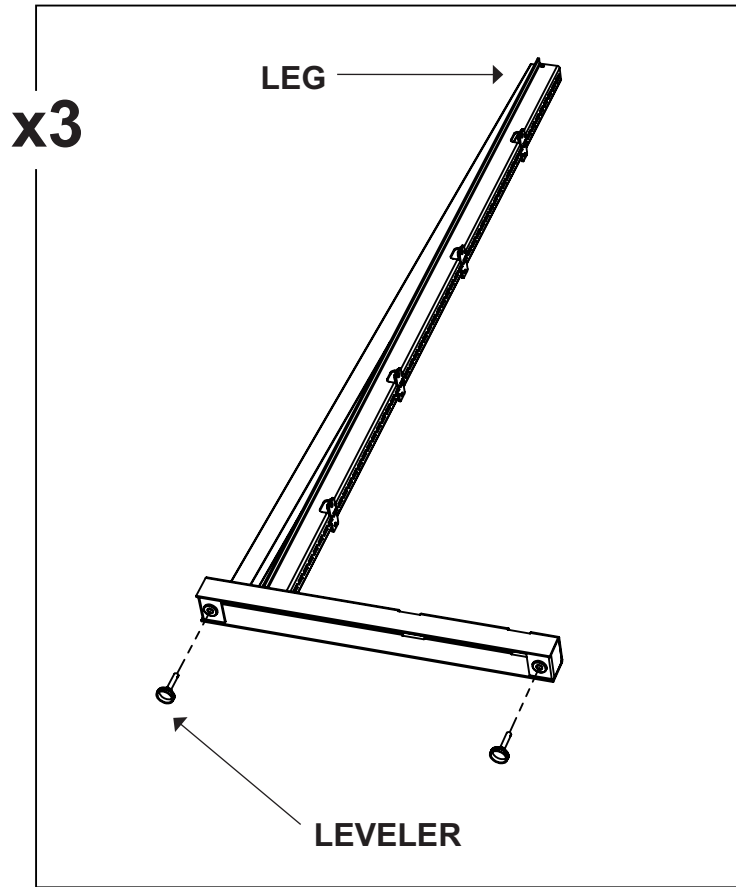


4mm
Hex Key

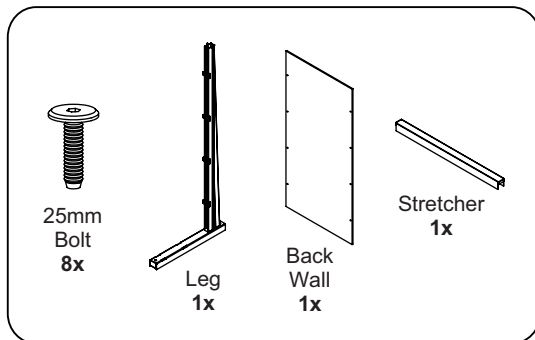
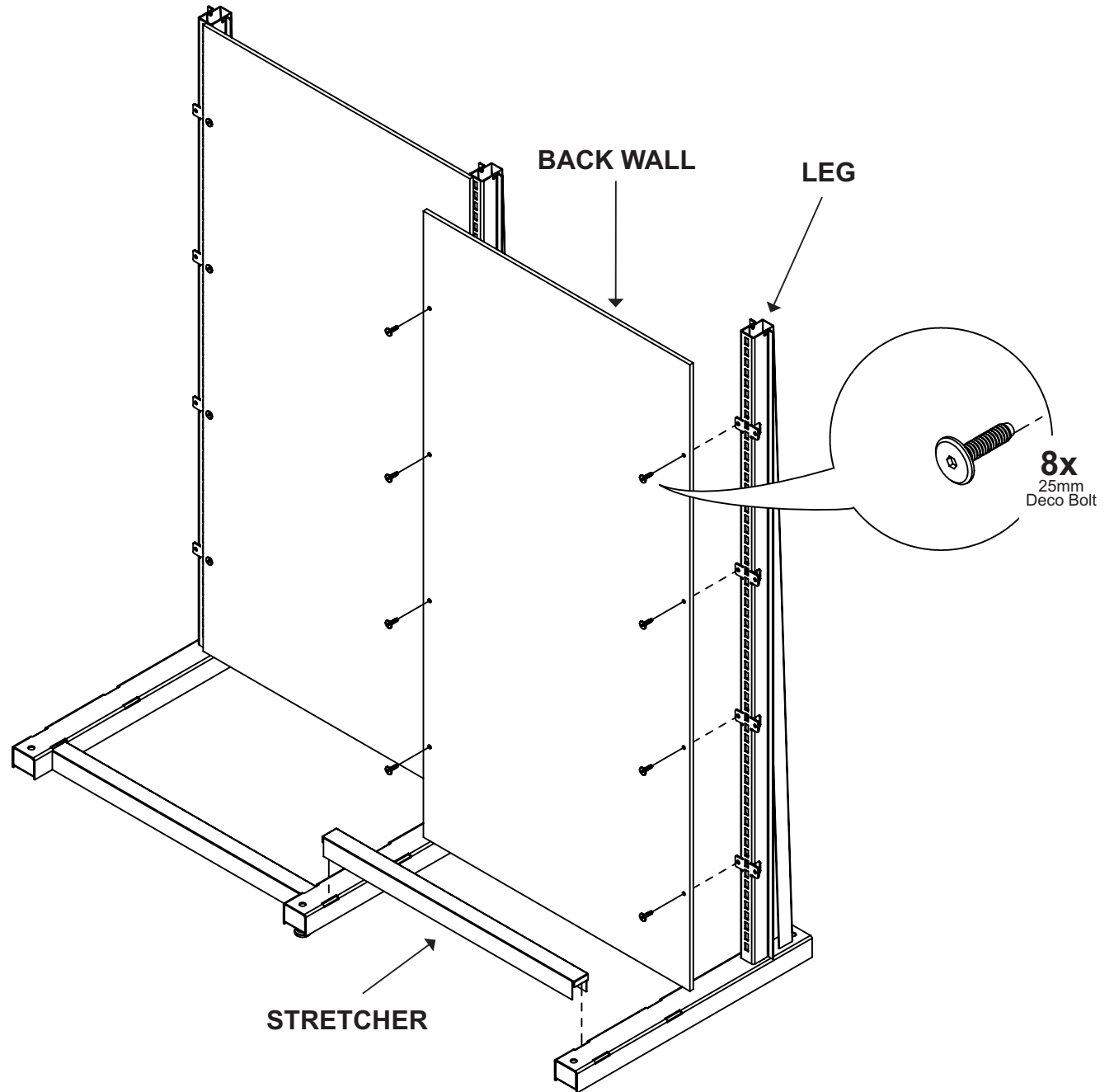


For customer assistance call **877.233.7962**
to speak with a customer representative.

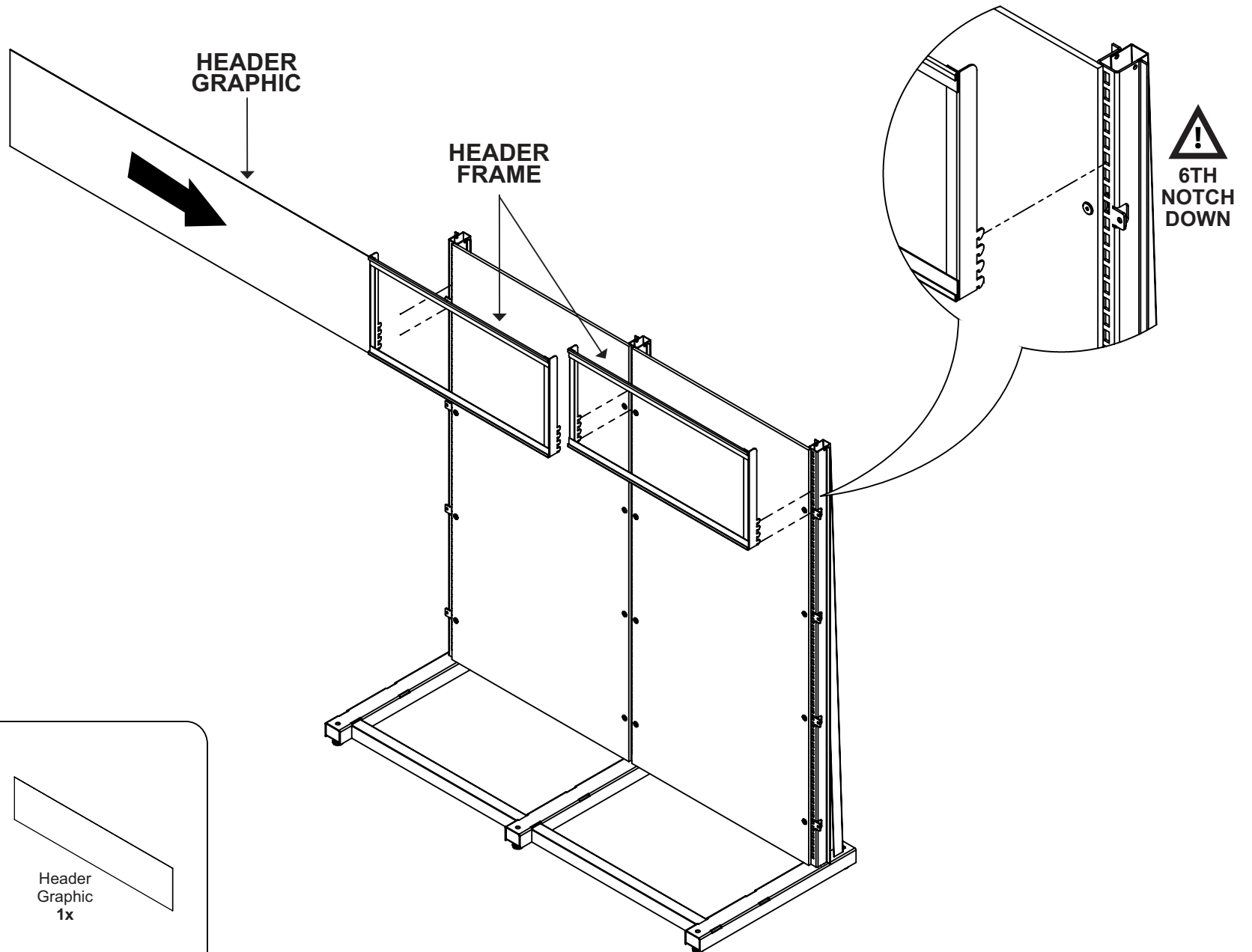
Step 1



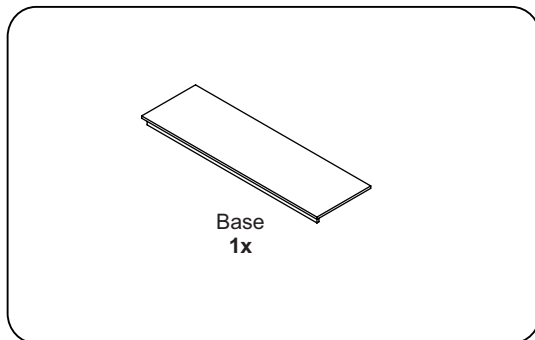
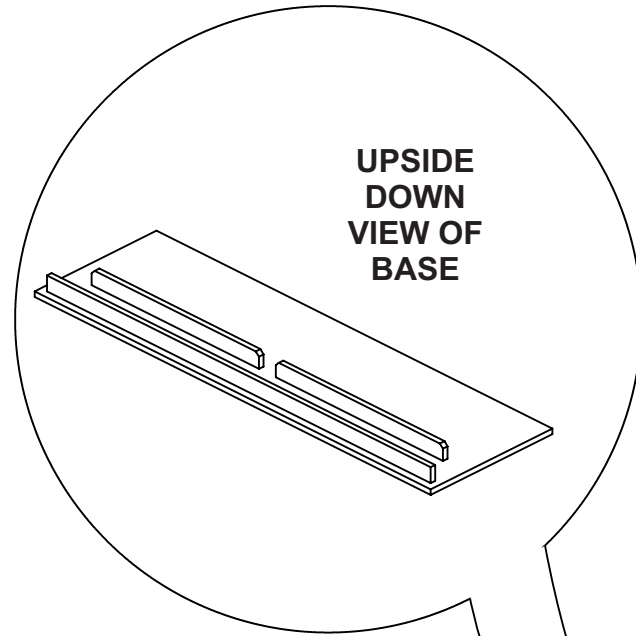
Step 2



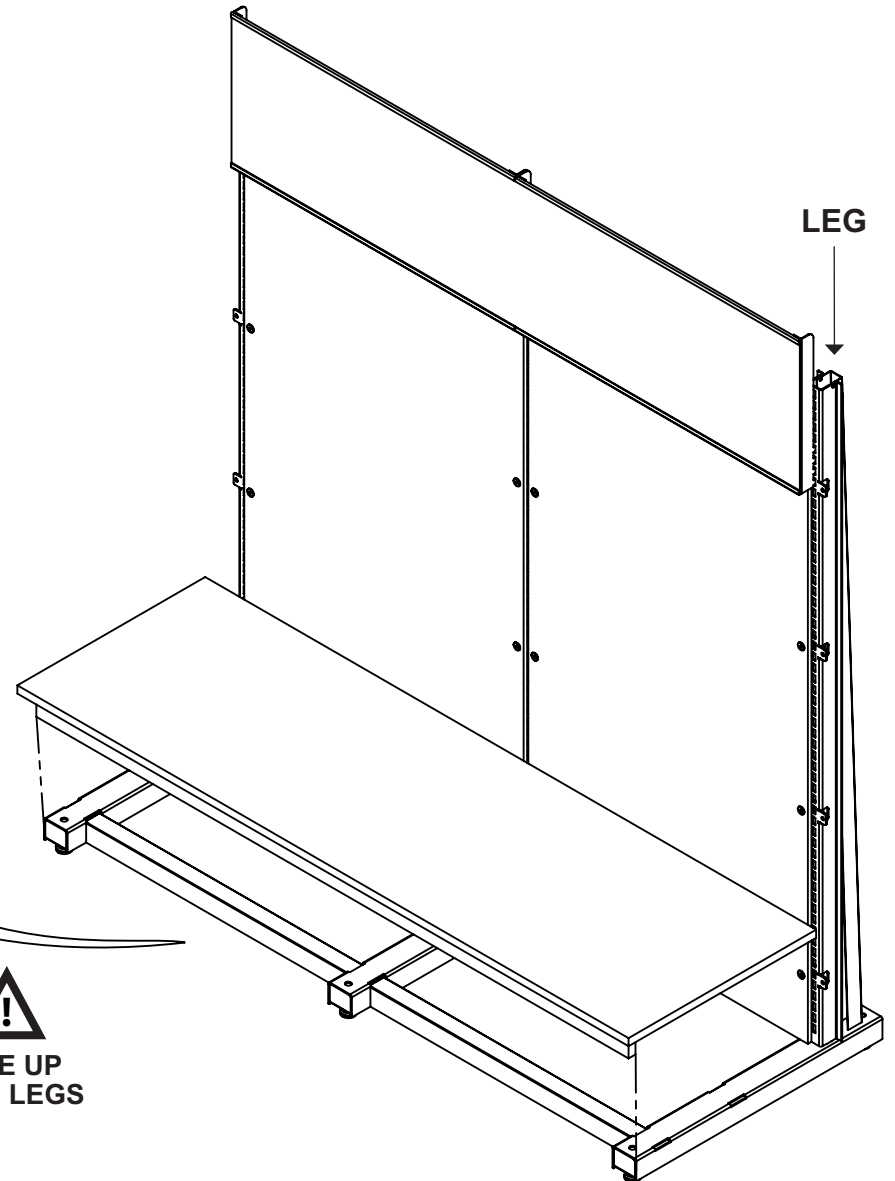
Step 3



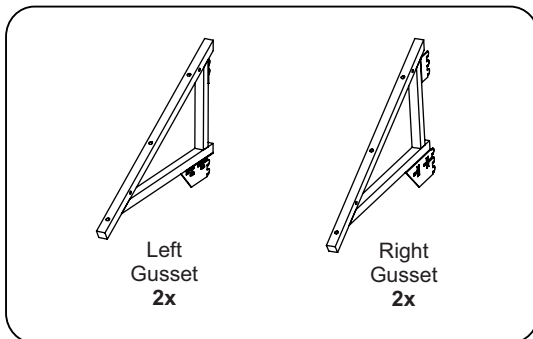
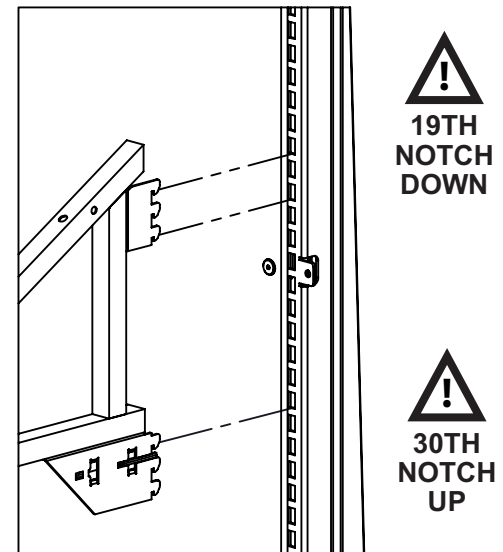
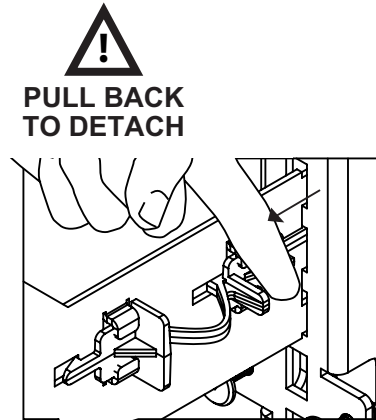
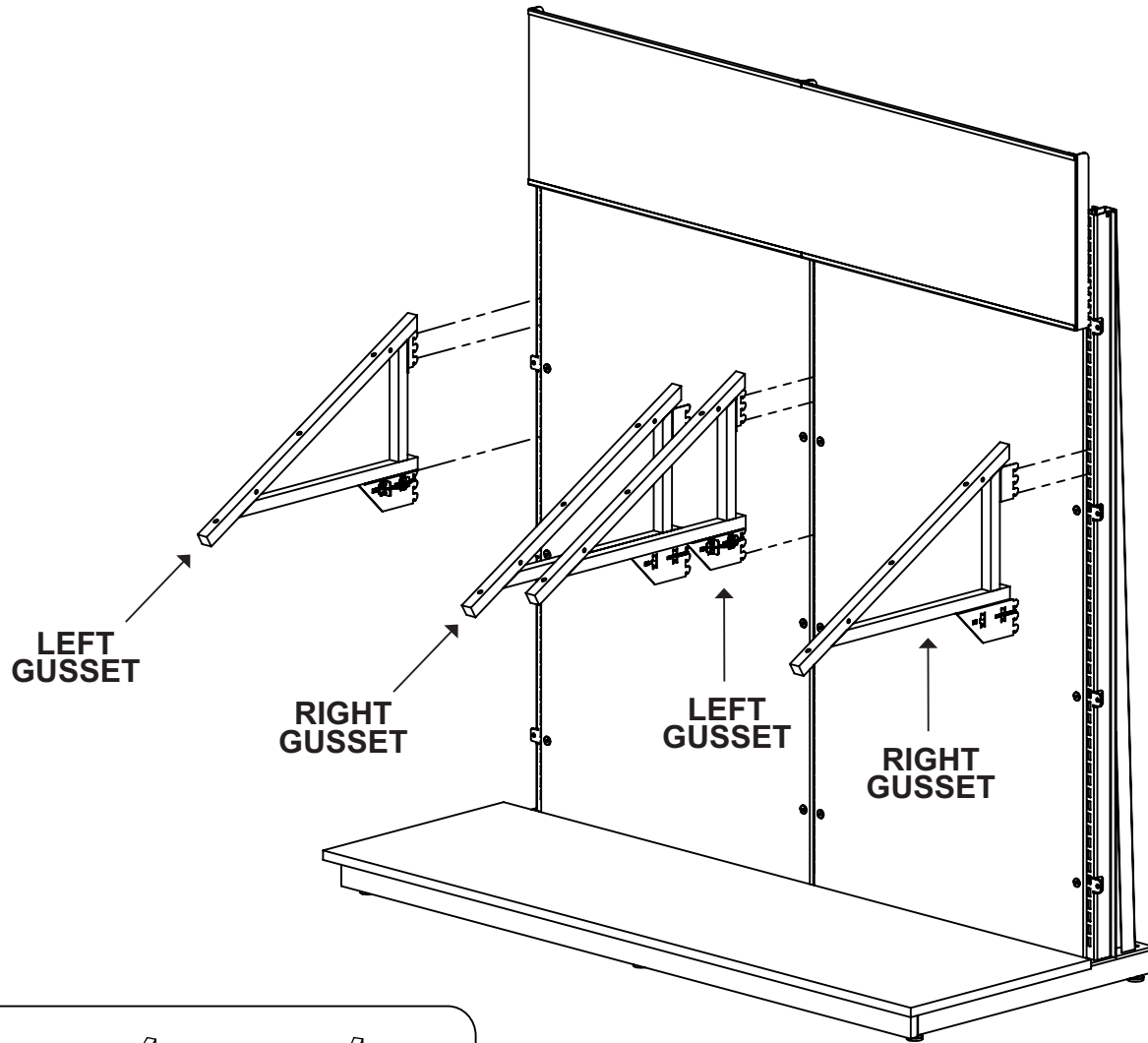
Step 4



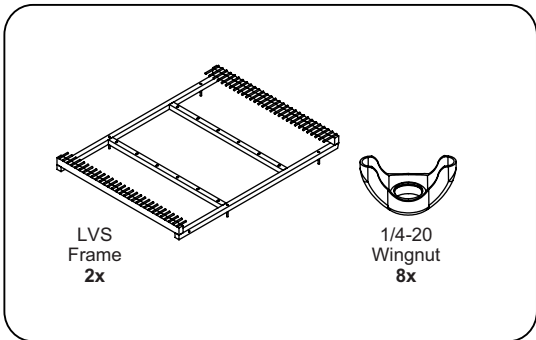
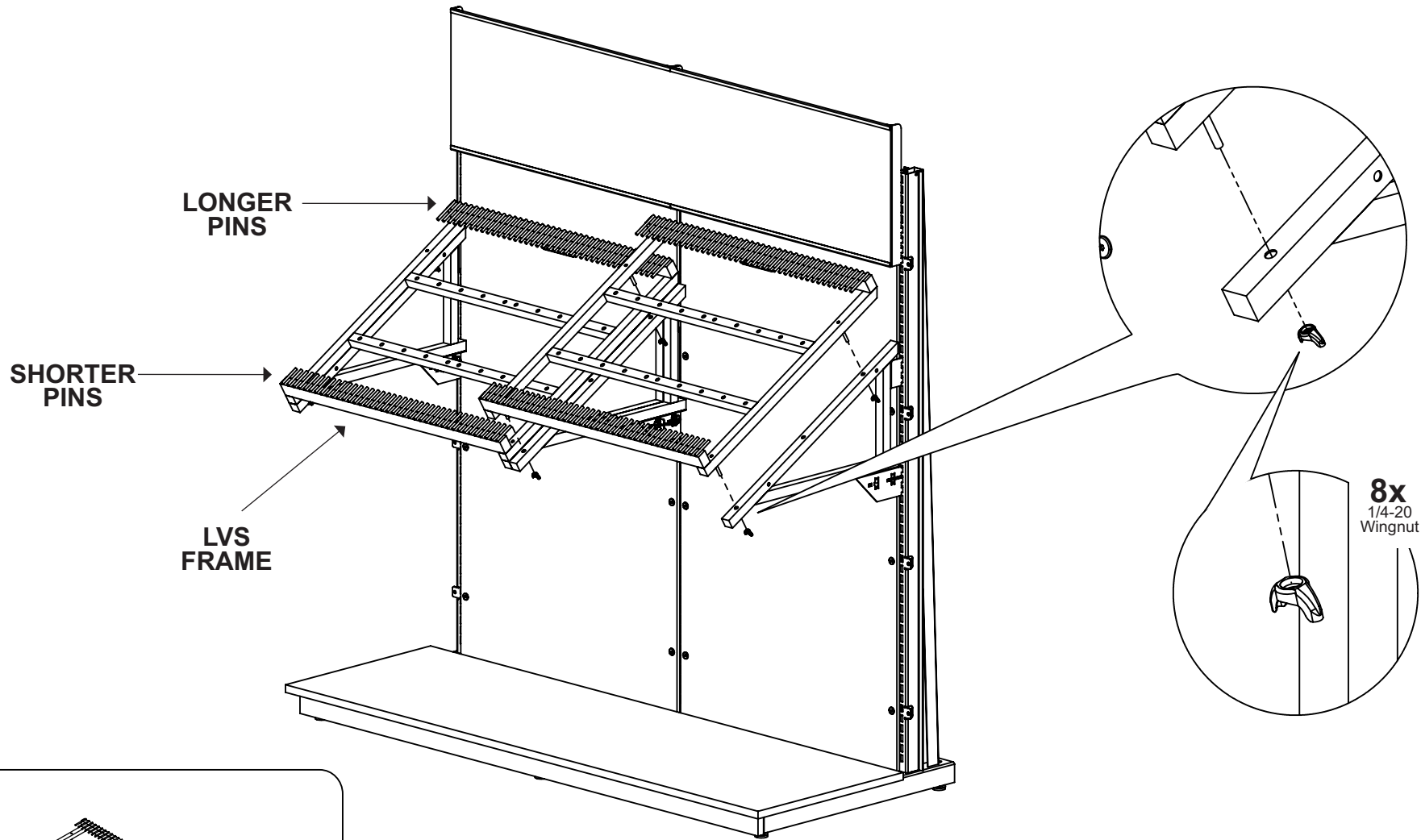
⚠
LINE UP
WITH LEGS



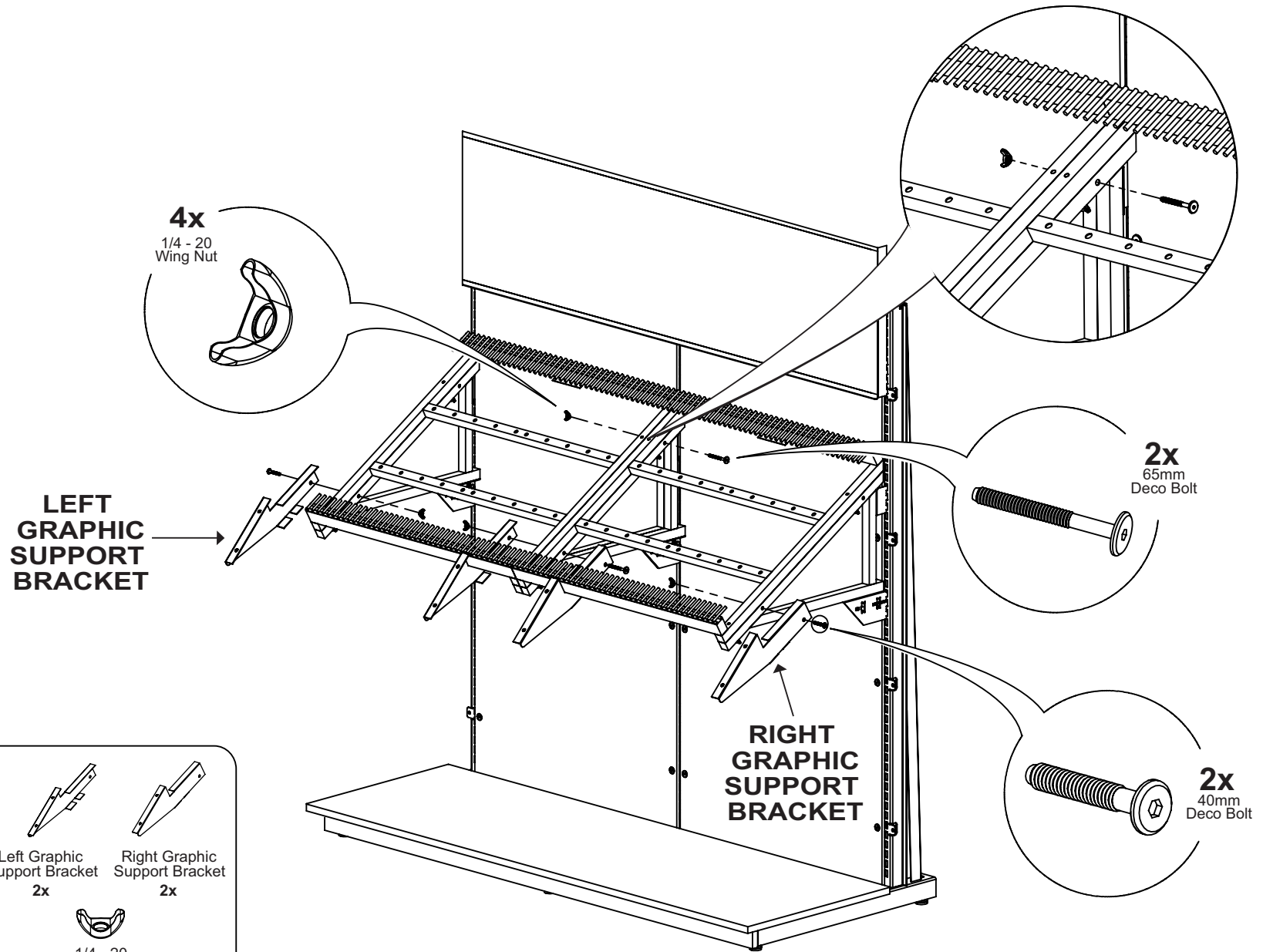
Step 5



Step 6



Step 7



65mm
Deco Bolt
2x

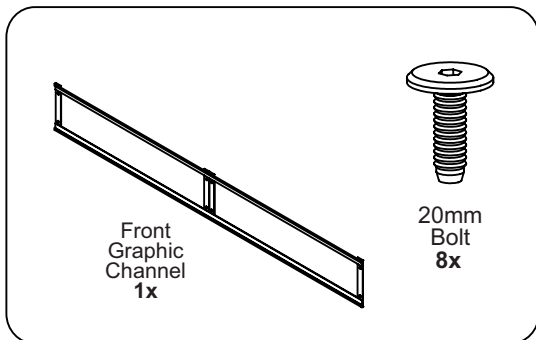
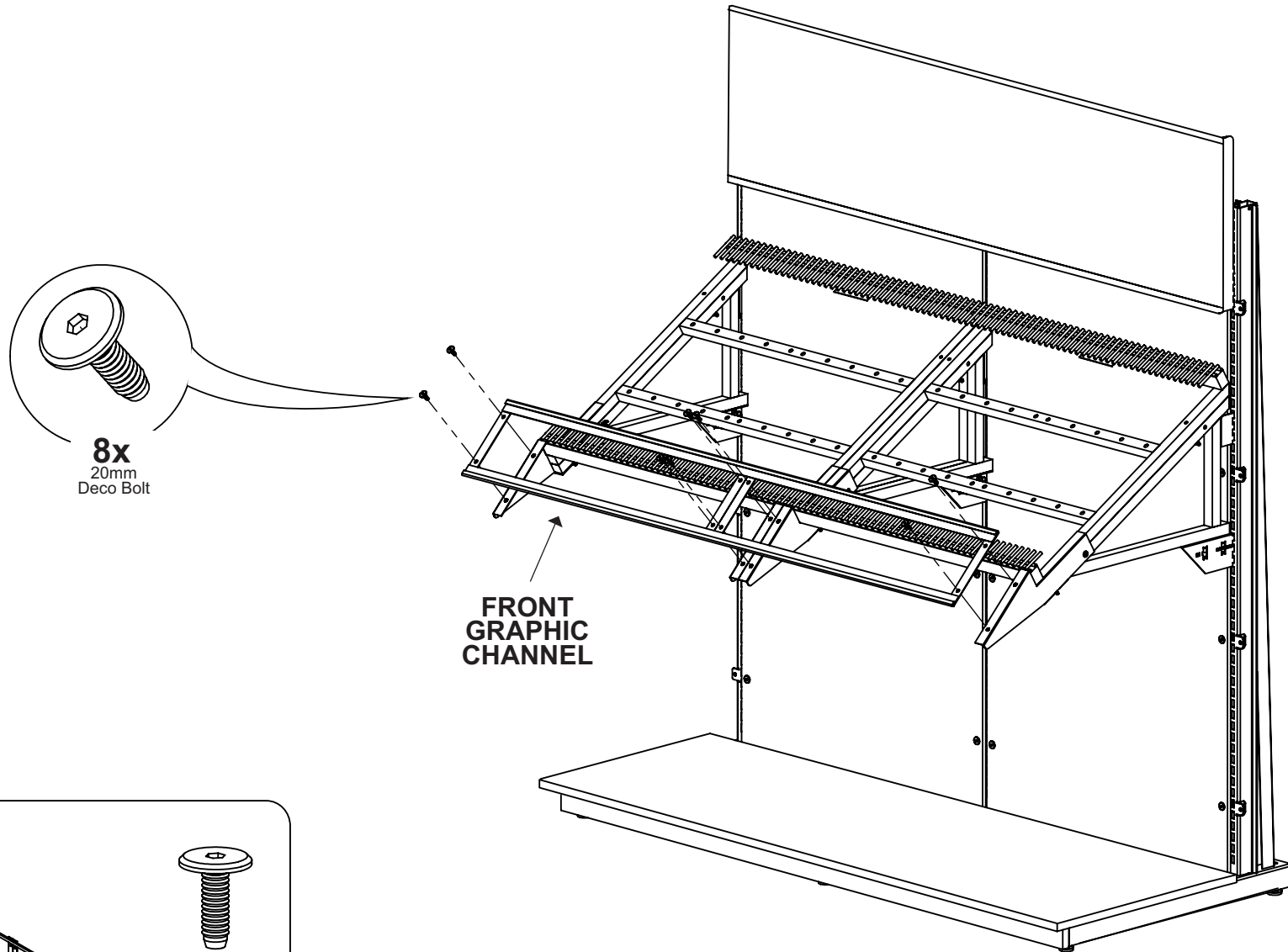
40mm
Deco Bolt
2x

Left Graphic
Support Bracket
2x

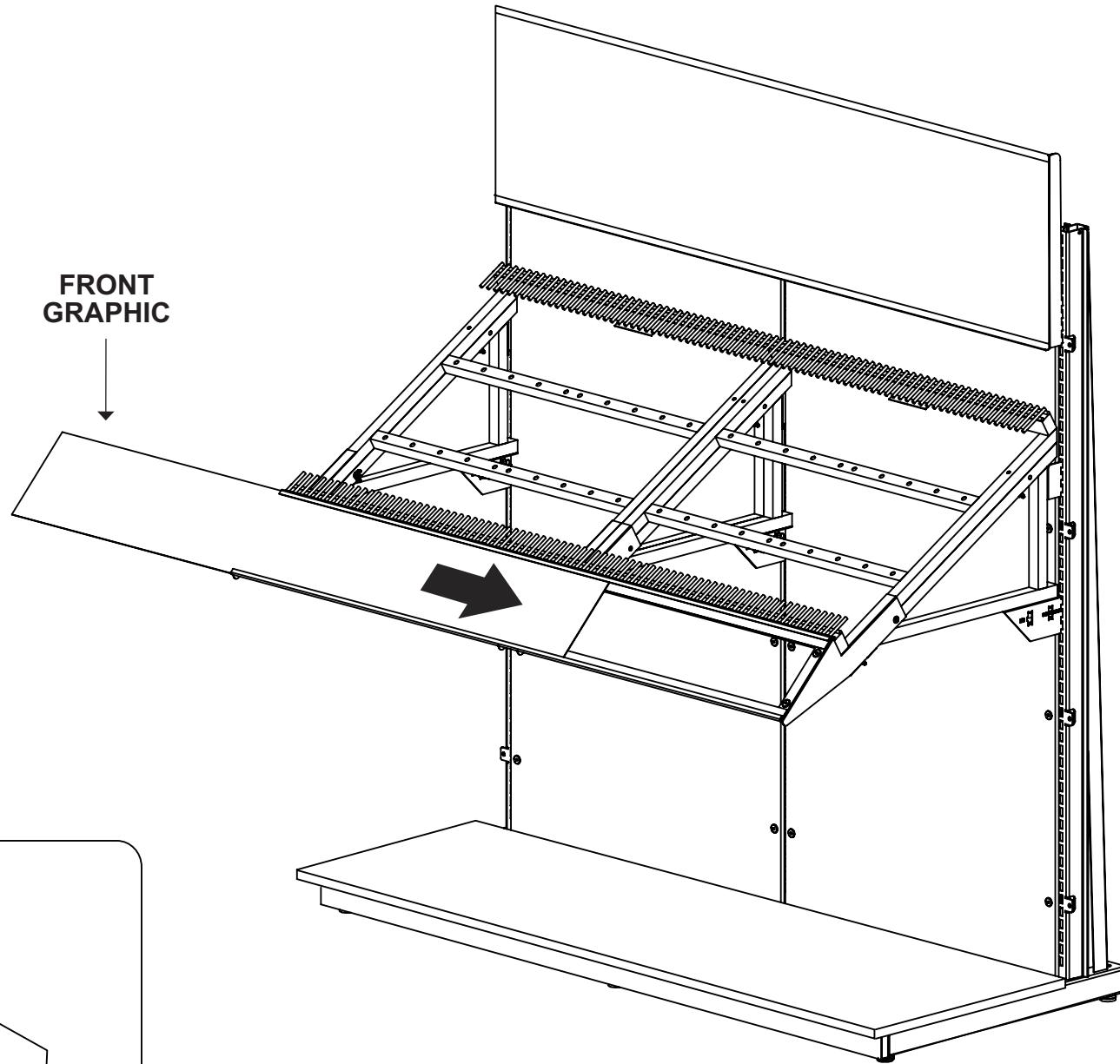
Right Graphic
Support Bracket
2x

1/4 - 20
Wing Nut
4x

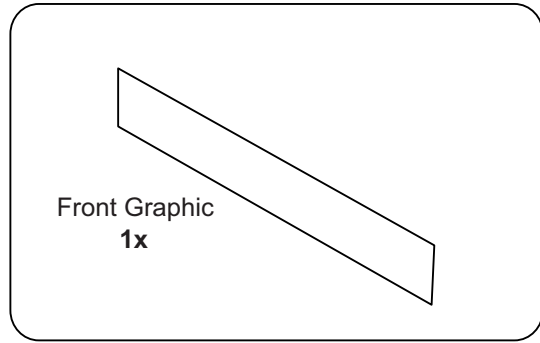
Step 8



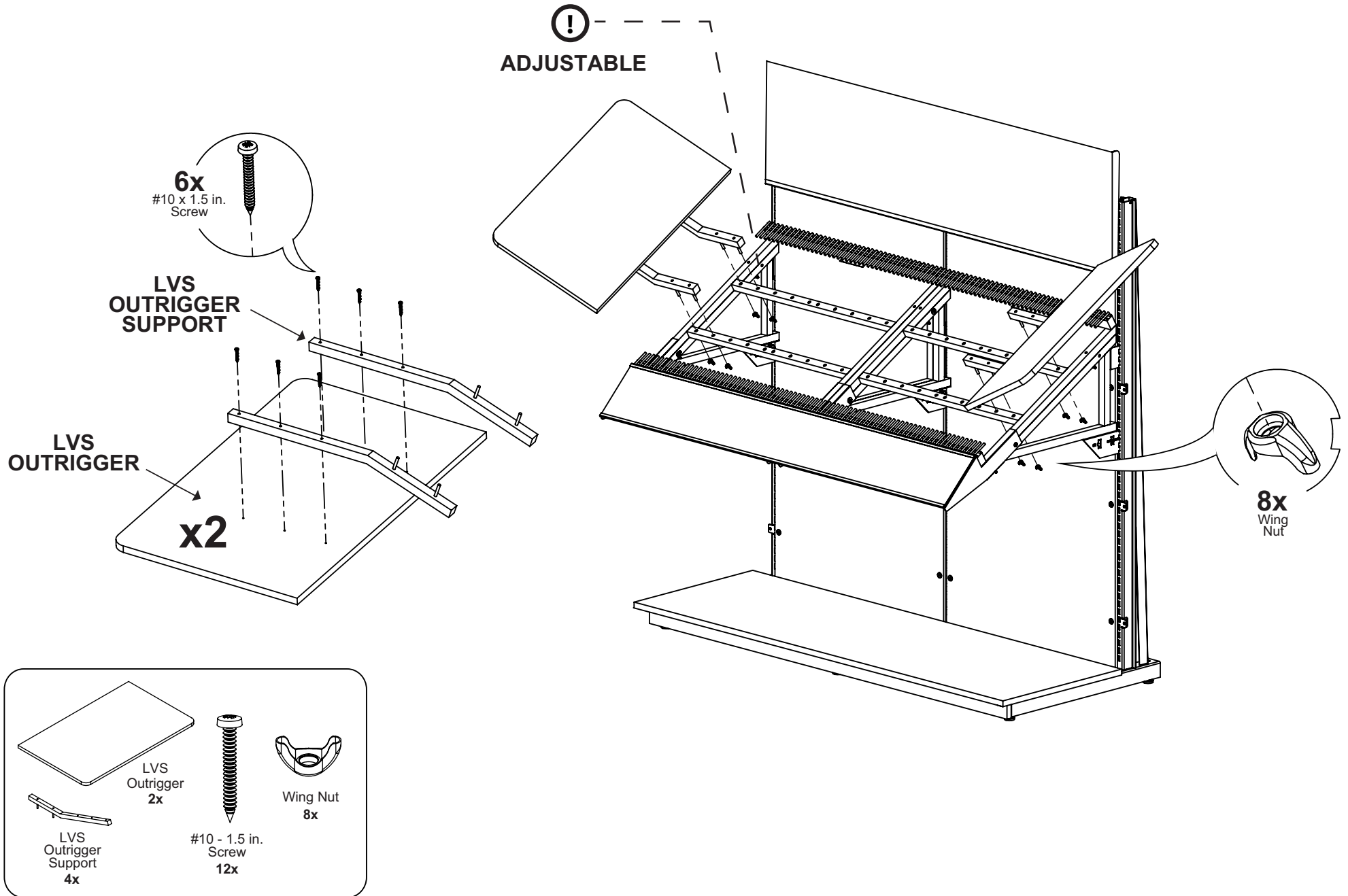
Step 9



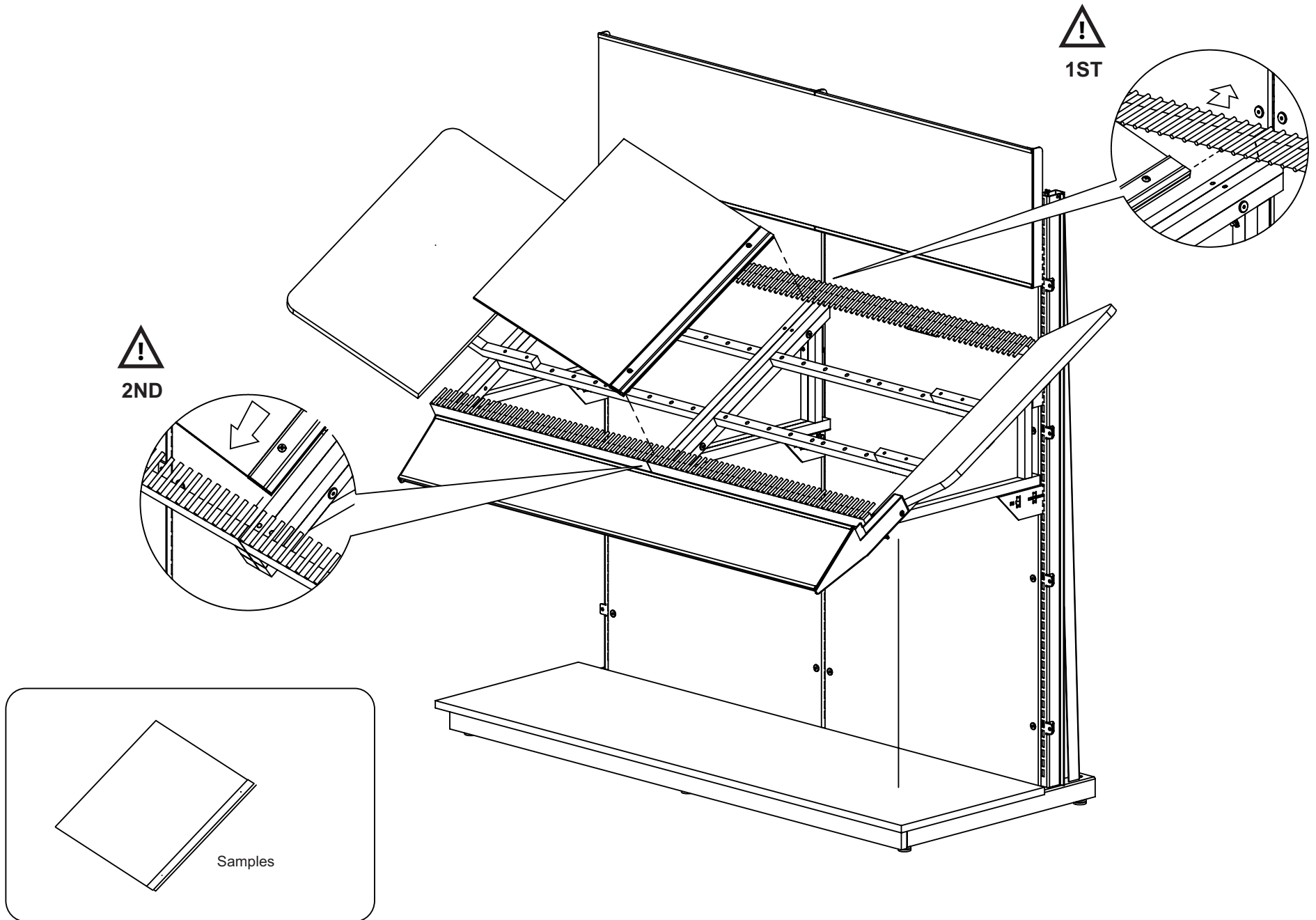
FRONT
GRAPHIC



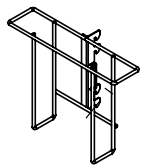
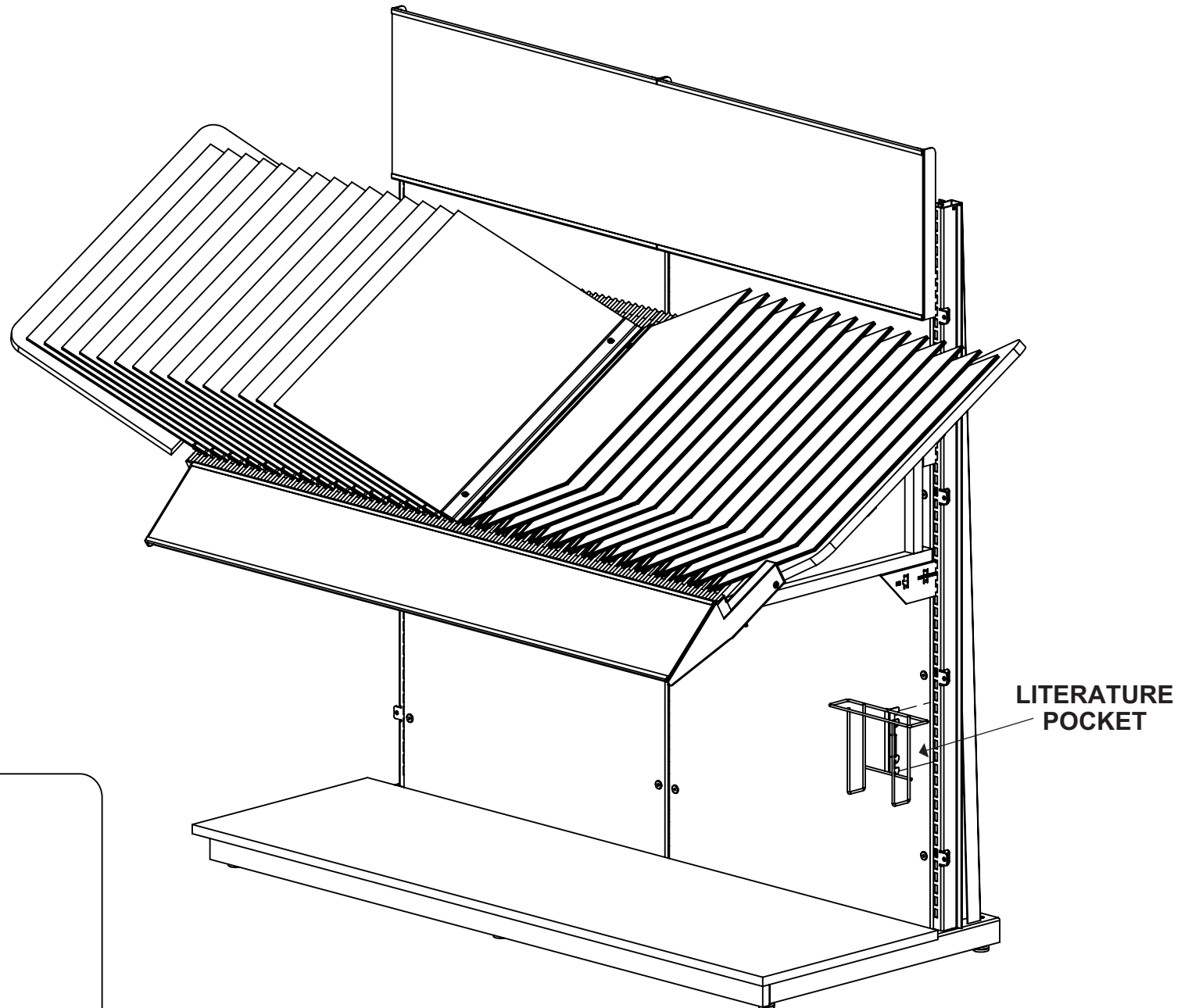
Step 10



Step 11



Step 12



Literature
Pocket
1x

**CONGRATULATIONS YOU HAVE SUCCESSFULLY ASSEMBLED
THE MANNINGTON LVS ULTRA FLEX 60 DISPLAY**

NEVER MOVE LOADED DISPLAY

MAKE SURE ALL FASTENERS ARE TIGHTENED