

 **MANNINGTON®**

PREMIUM WATERFALL DISPLAY

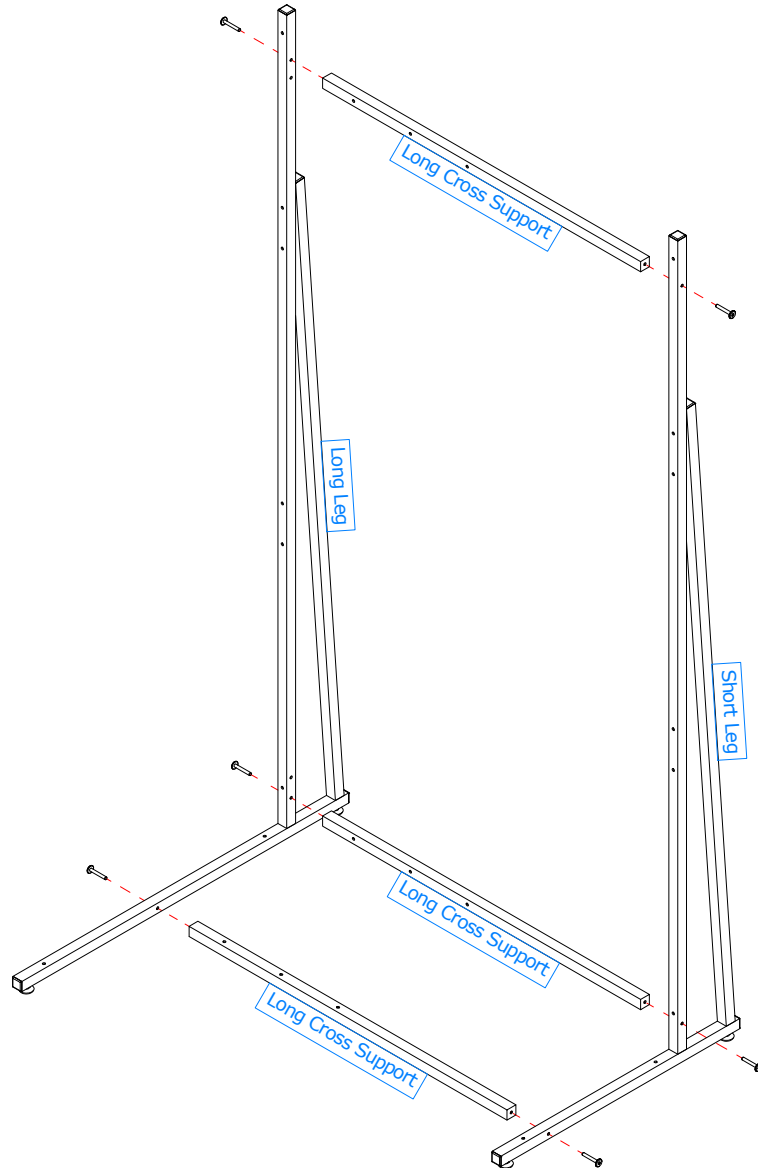
ASSEMBLY INSTRUCTIONS

89"h x70"w x 38"d



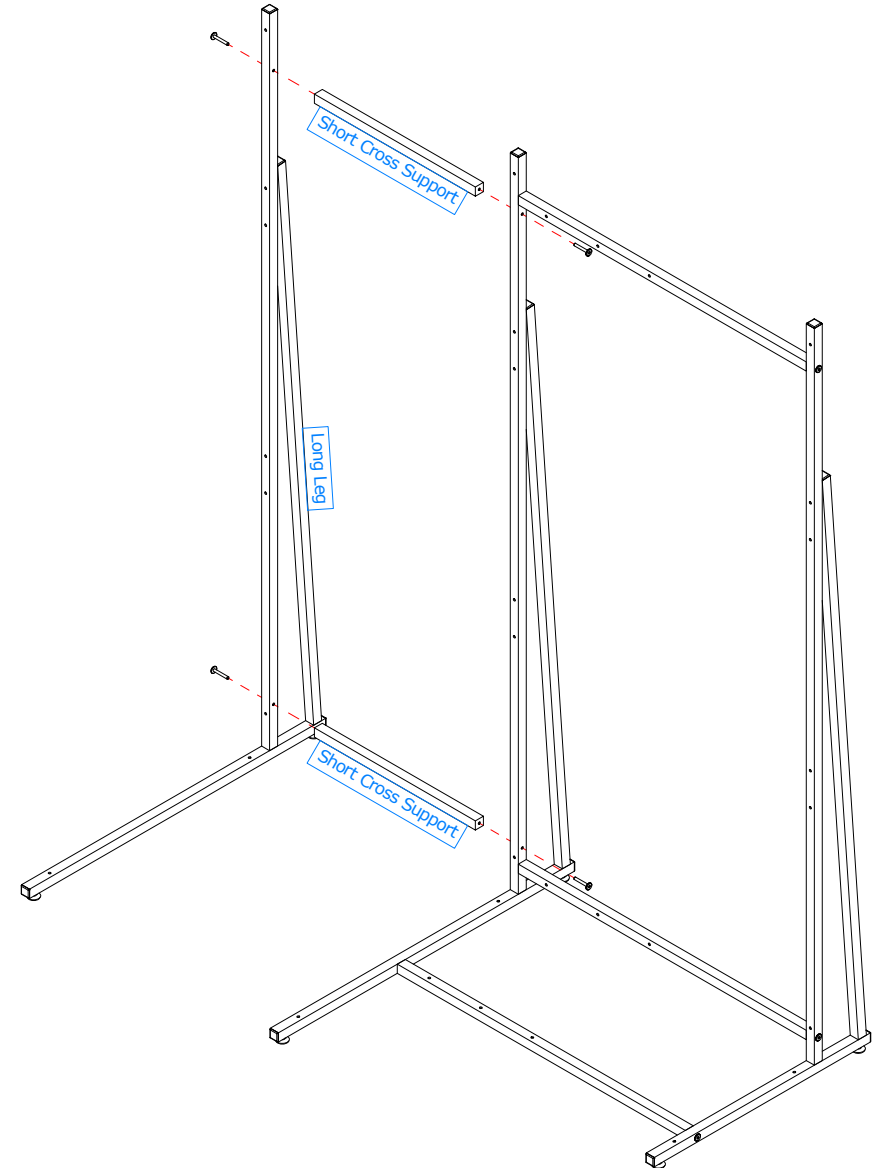
STEP: 1

- Important! Use 2 ½" screws from the hardware bag labeled "Metal Tubing".
- **Make sure the holes for the cross supports are positioned to the Left.**
- Position the "Front" Cross Support with the holes to the left and facing up.



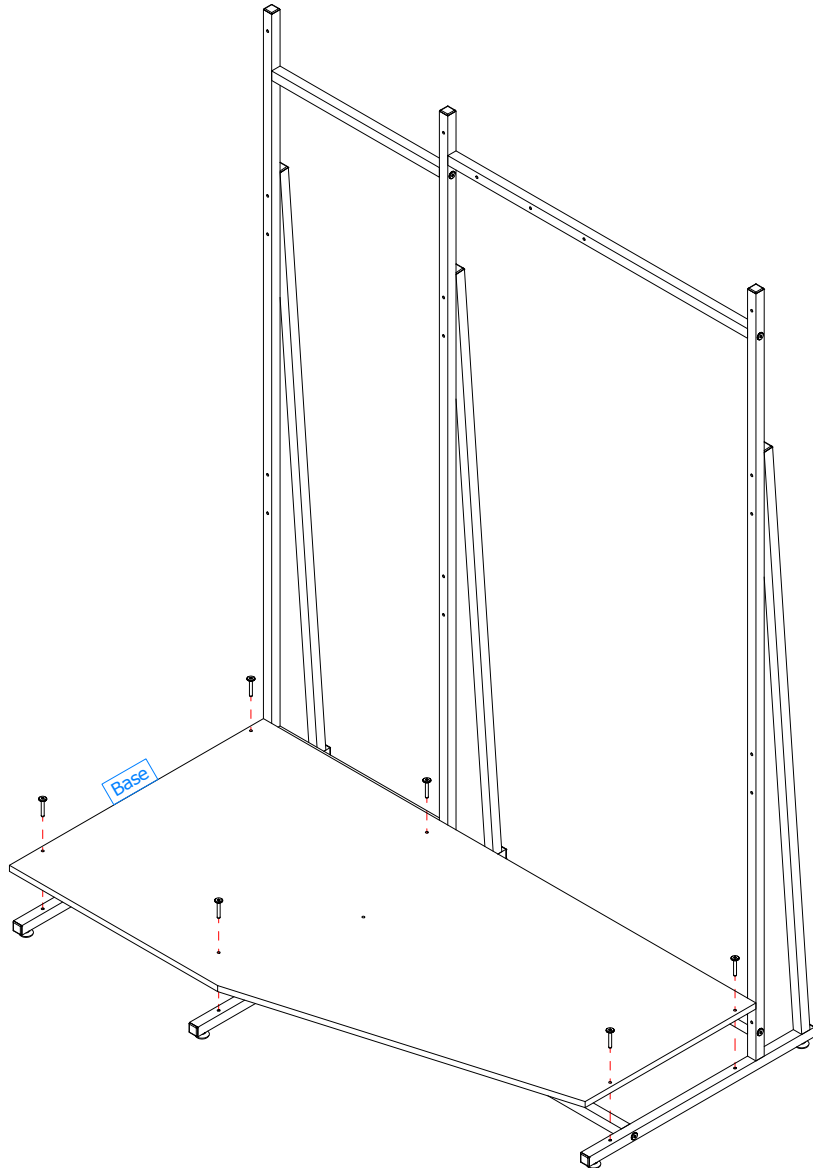
STEP: 2

- Important! Use 2 ½" screws from the hardware bag labeled "Metal Tubing".



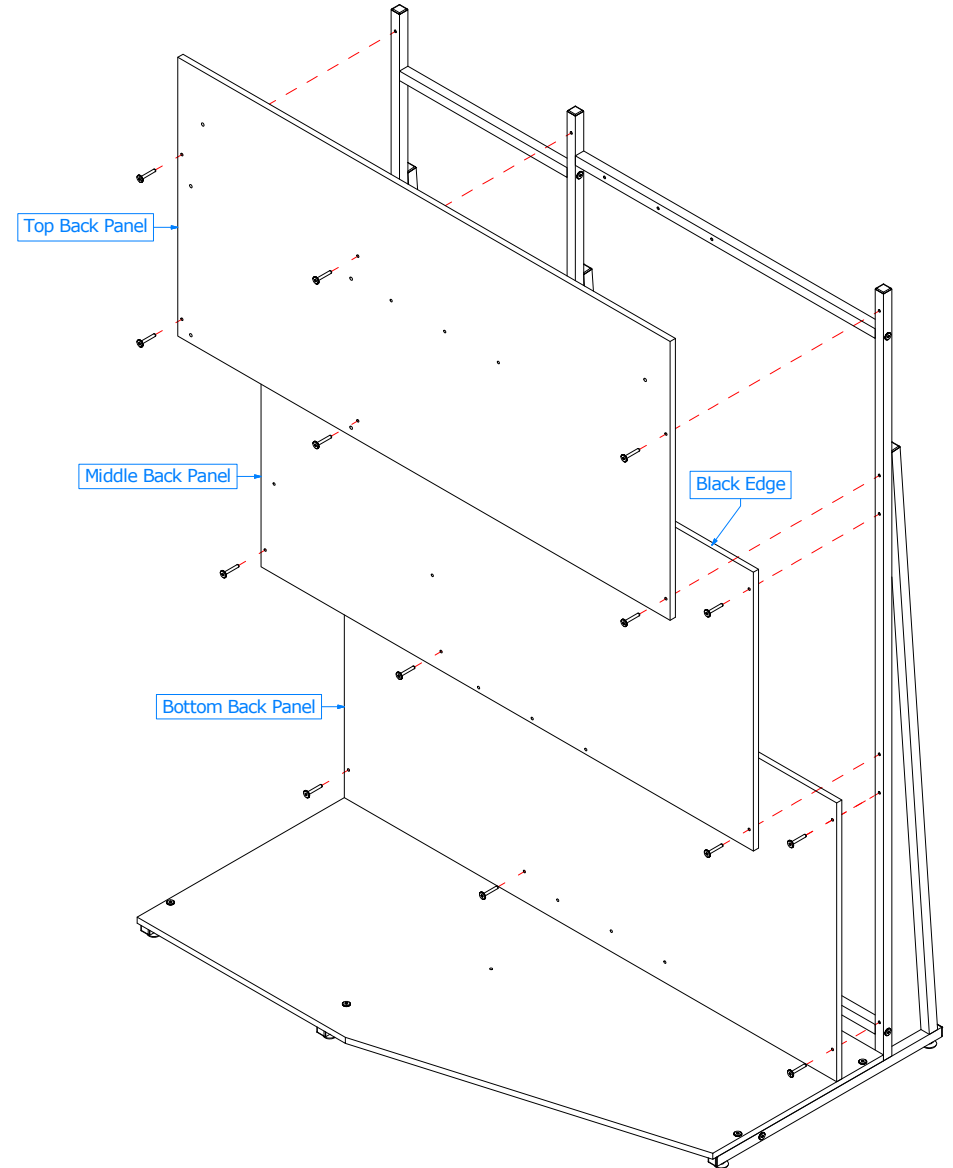
STEP: 3

- Screws for step #3 and #4 are in the hardware bag labeled "Wood Panels".



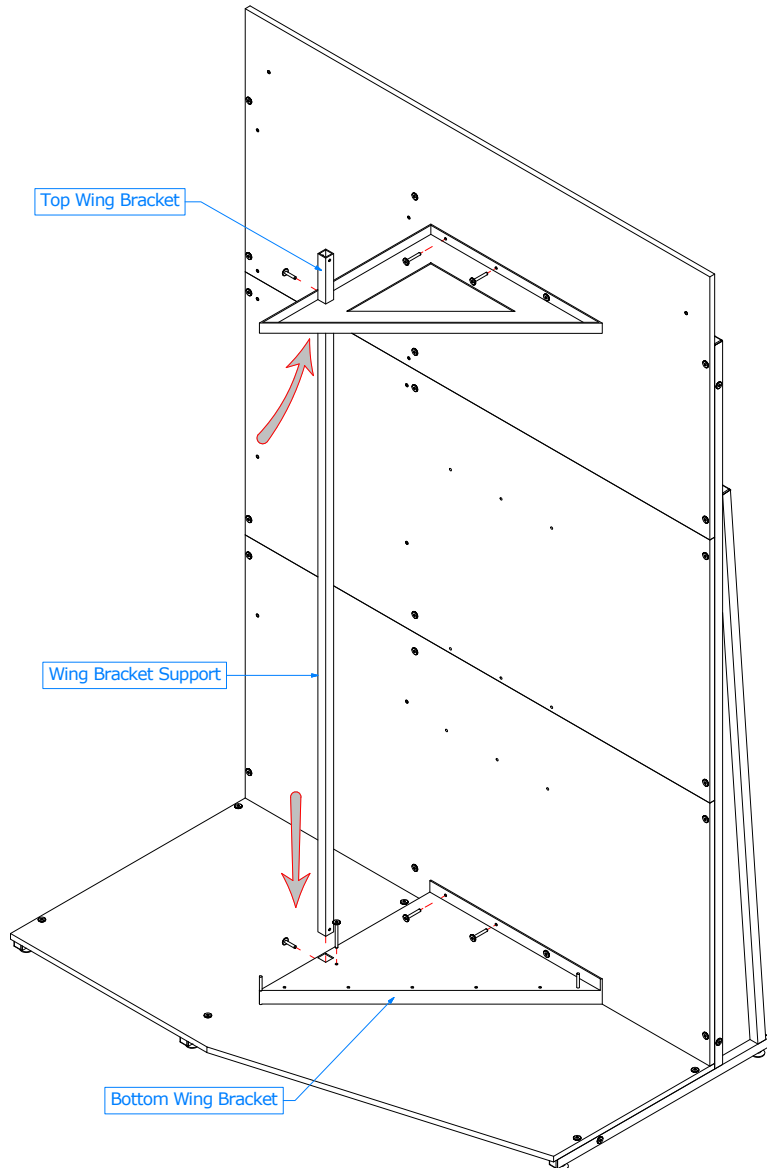
STEP: 4

- Do Not fully tighten screws until all 3 panels are in place.
- "Bottom Back Panel" - Make sure the 3 holes are at the bottom, align with the holes in the "Bottom Cross Support".
- Make sure holes in the "Top Back Panel" align with holes in the "Top Cross Support".
- Now tighten all screws!



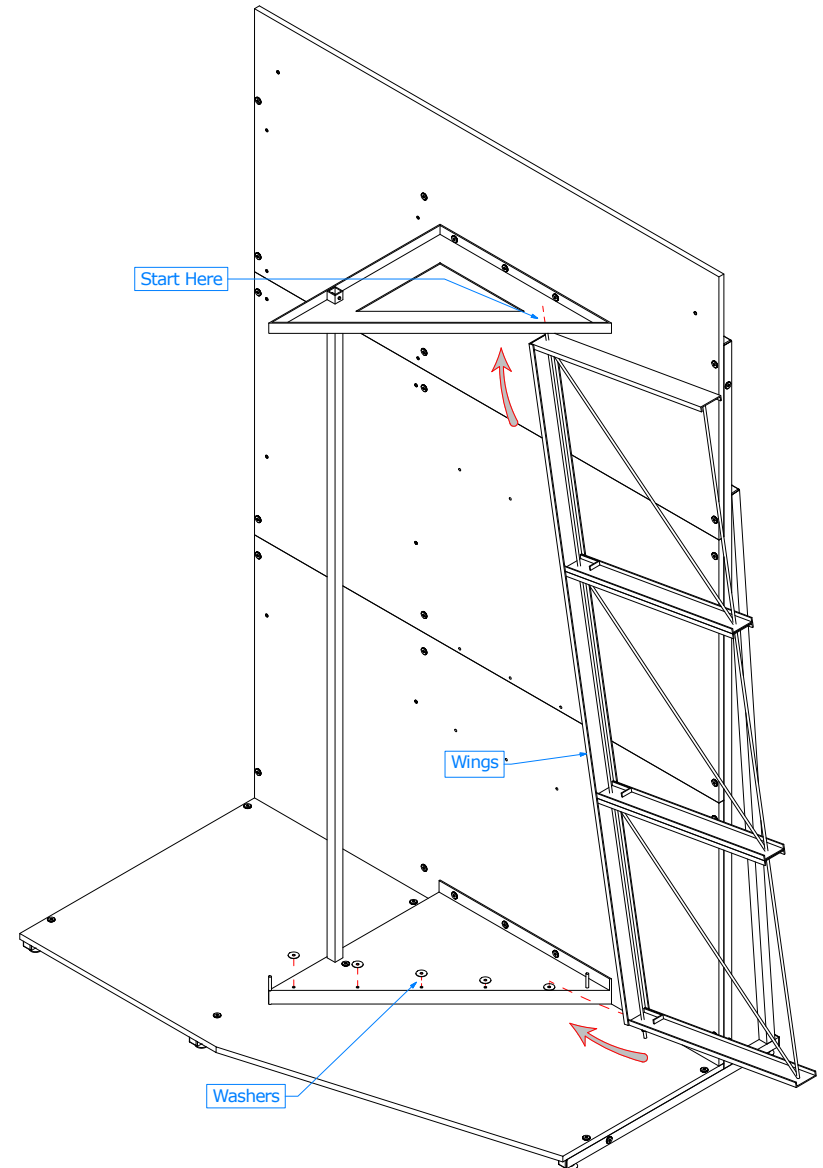
STEP: 5

- Attach the "Wing Brackets" using screws from the "Wood Panels" bag.
 - Use short $\frac{3}{4}$ " screws to attach the "Wing Bracket Support".
- Important! Bottom Wing Bracket has a metal "Wing Stop".



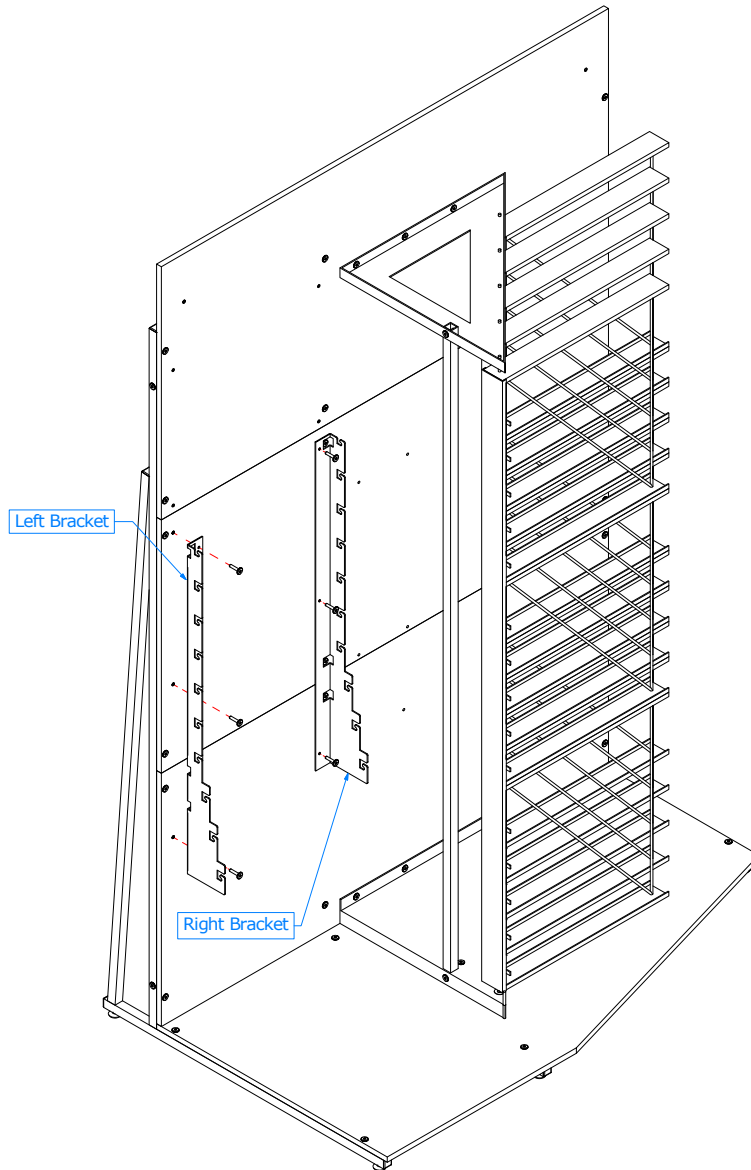
STEP: 6

- Insert wings.
- Place plastic washers onto "Bottom Wing Bracket" before inserting the wing.



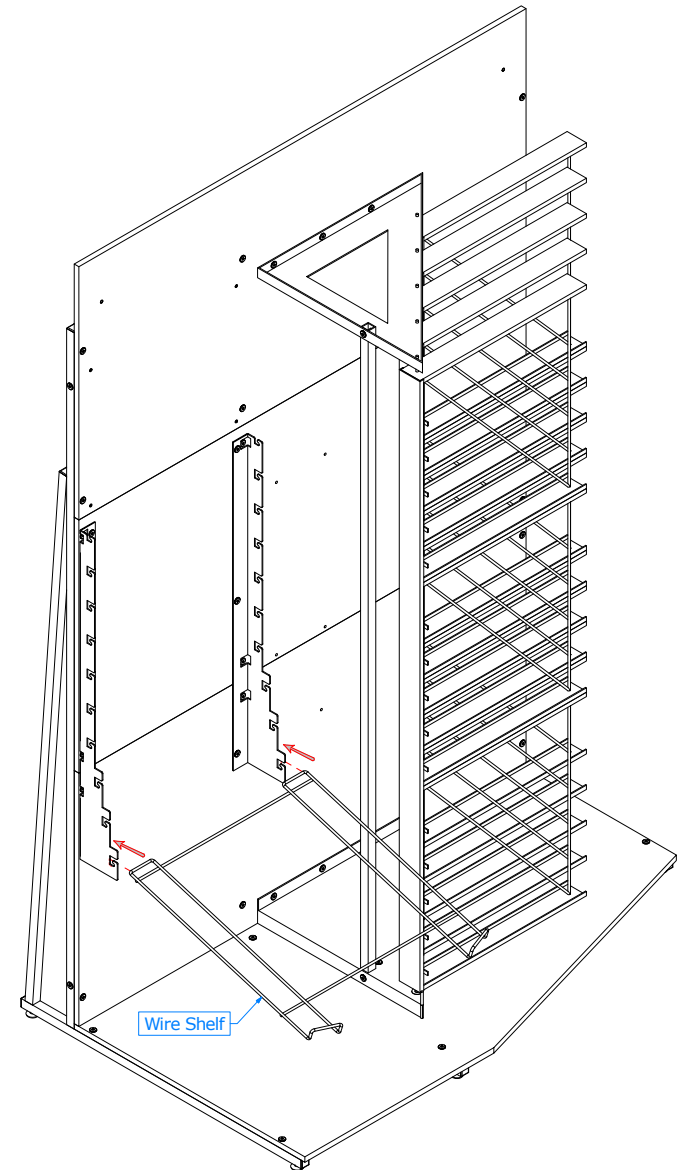
STEP: 7

- Attach brackets using screws from the hardware bag labeled "Wire Shelf Brackets".



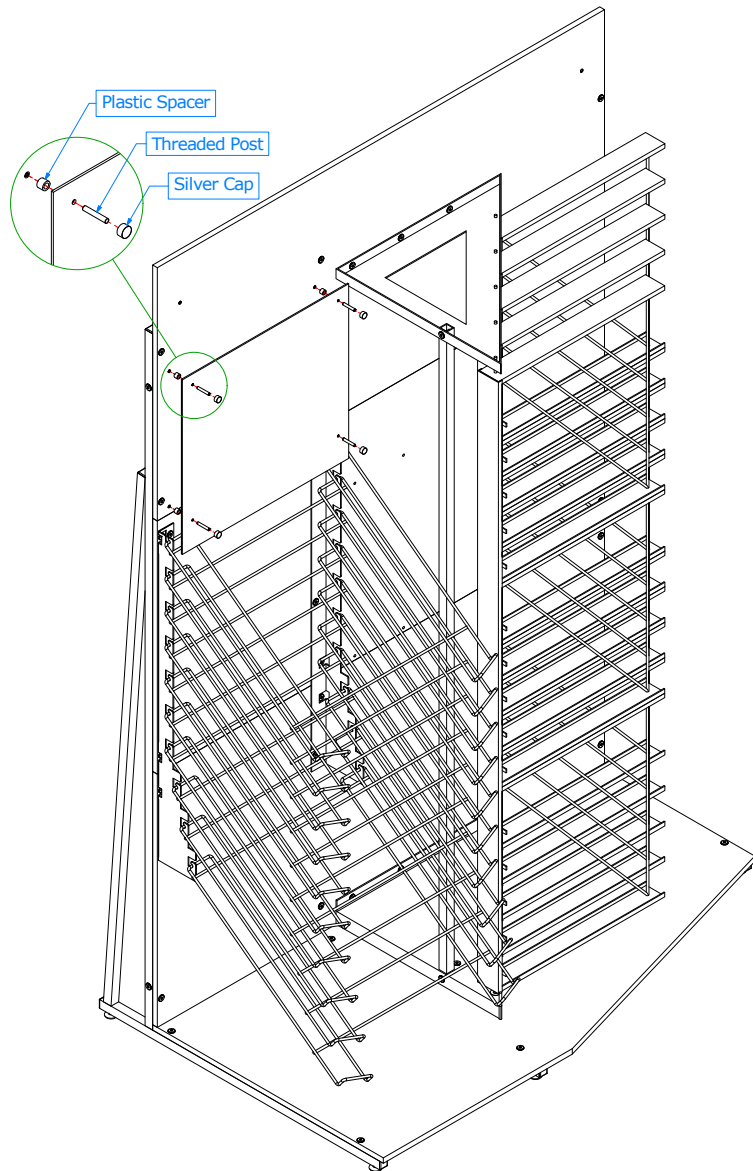
STEP: 8

- Insert the wire shelves. Start from the bottom and work up.



STEP: 9

- Attach the Graphic to the top panel using hardware from the bag labeled "Graphics".



STEP: 10

- Attach header using (2) screws from the hardware bag labeled "Graphics".

