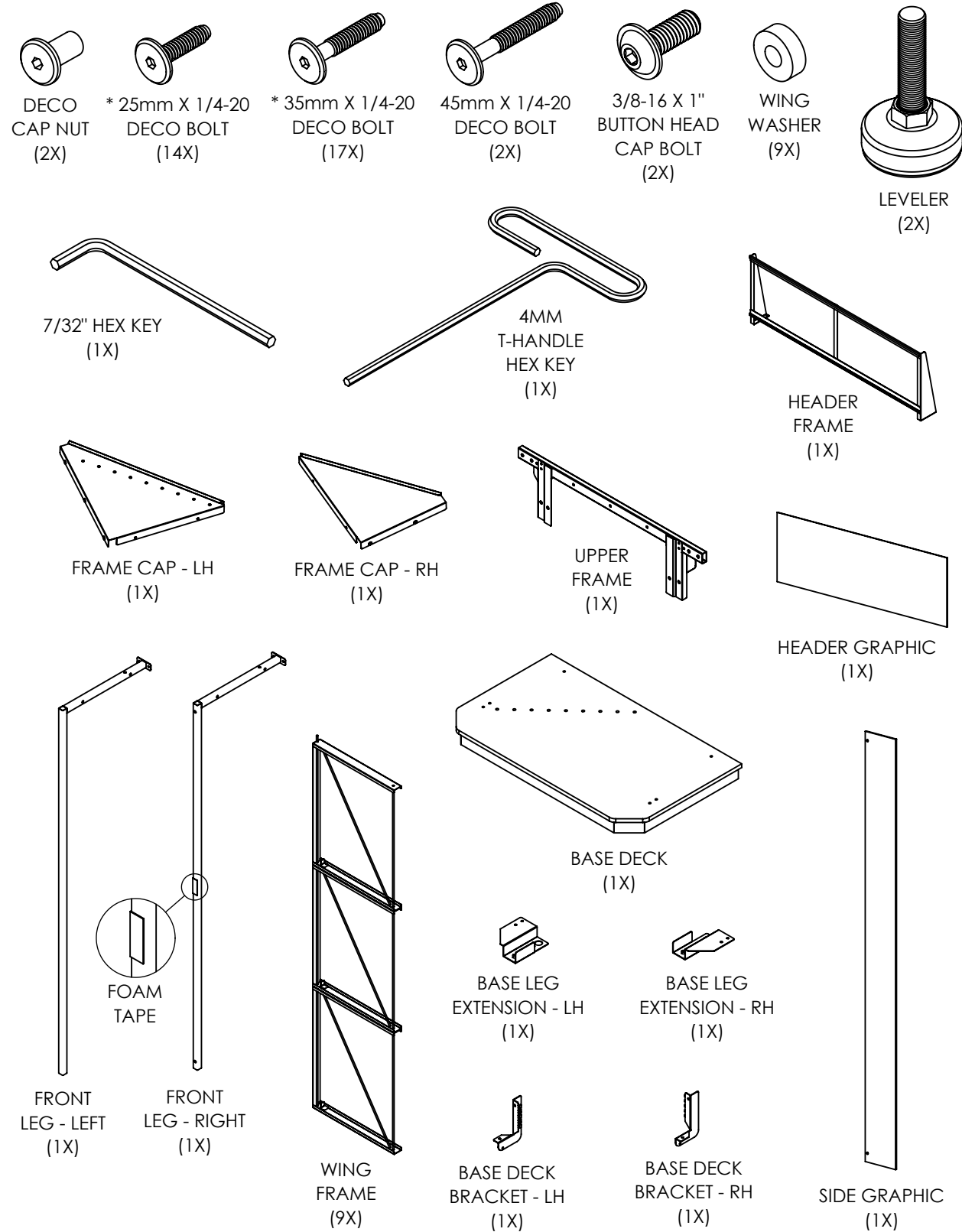


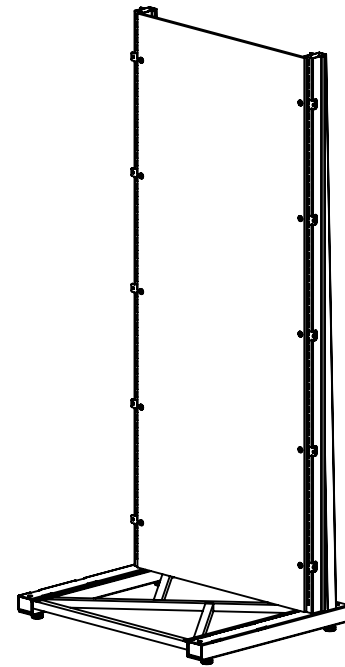
RETROFIT COMPONENT LIST



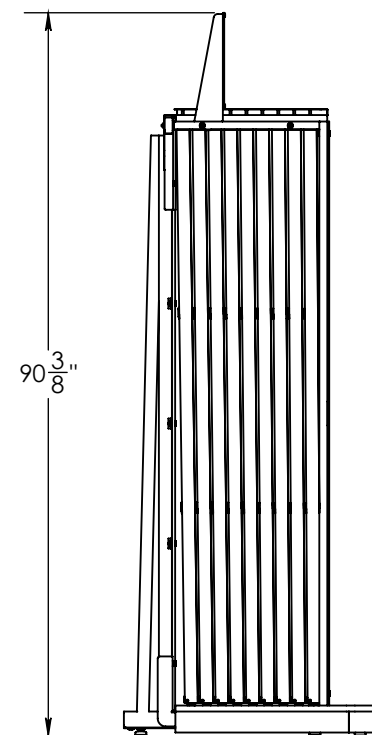
* (2) EXTRA BOLTS HAVE BEEN INCLUDED

EXISTING UNIT RETROFIT APPLICATIONS

PROCEED TO PAGE 3 FOR UNIT ASSEMBLY.



PRE-EXISTING UNIT FIXTURE

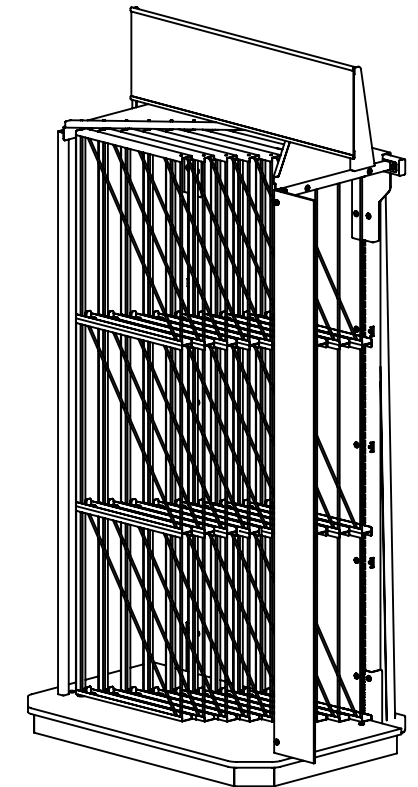
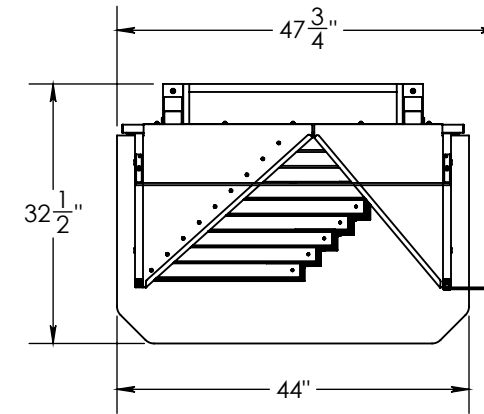


COMPLETE NEW DISPLAY UNIT APPLICATIONS

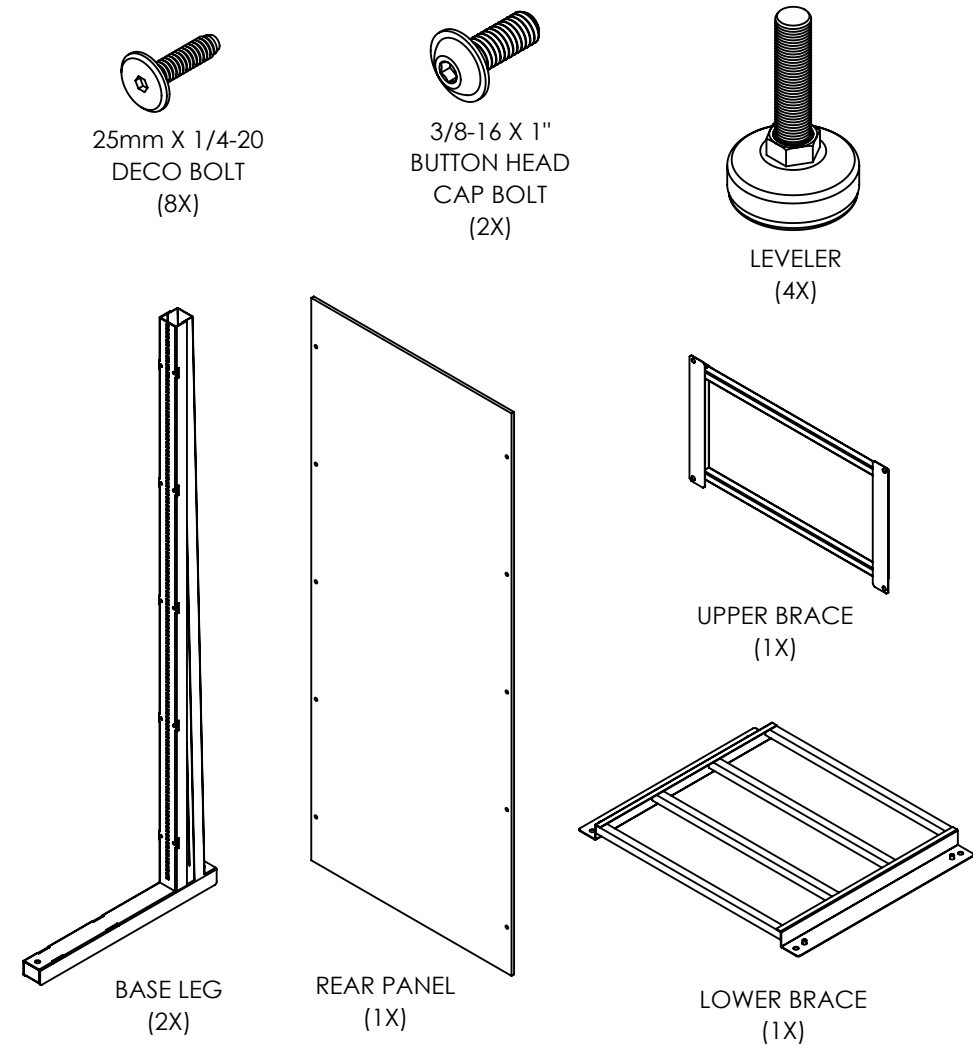
PROCEED TO PAGE 2 FOR BASE FIXTURE ASSEMBLY.



SCAN THE QR CODE OR USE THE LINK BELOW TO ACCESS VIDEO INSTRUCTION:
[HTTPS://YOUTU.BE/XE1UVIWF0ZQ](https://youtu.be/xE1UVIWF0ZQ)



BASE FIXTURE COMPONENT LIST



COMPLETE NEW DISPLAY UNIT APPLICATIONS

START HERE

IMPORTANT: TO ALLOW FOR EASY ALIGNMENT OF ALL PARTS, LEAVE ALL BOLTS LOOSE UNTIL STEP-5

STEP - 1A & B

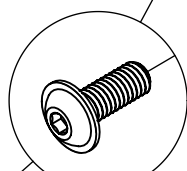
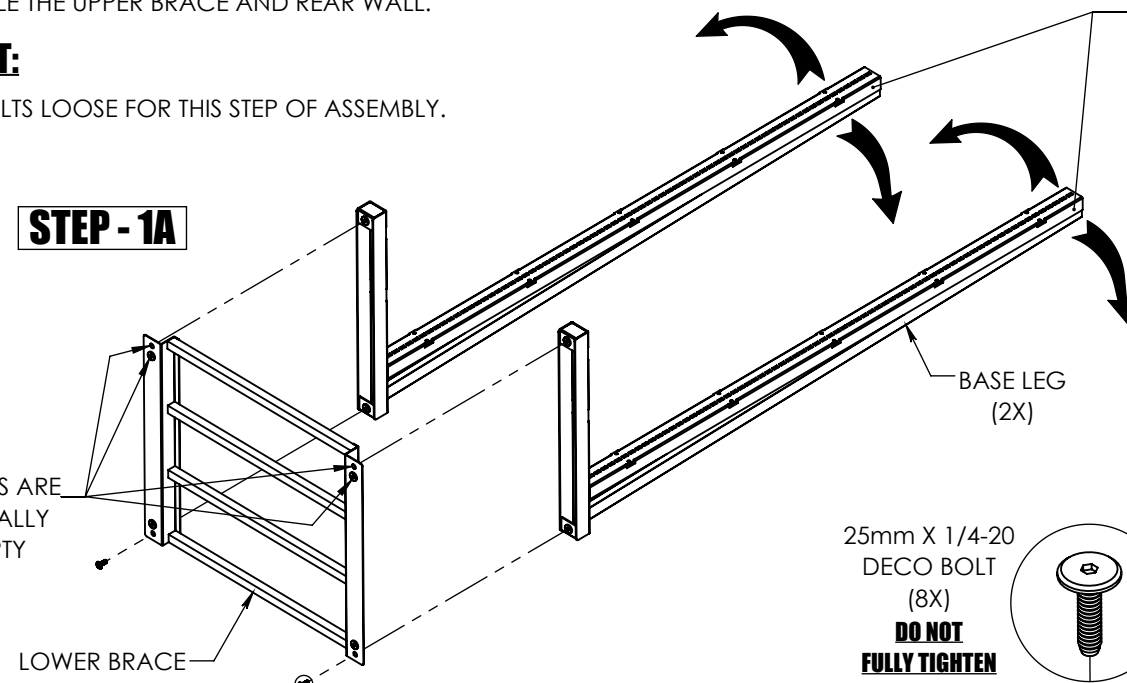
ASSEMBLE THE LOWER BRACE TO THE BASE LEGS. THEN ASSEMBLE THE UPPER BRACE AND REAR WALL.

IMPORTANT:

LEAVE ALL BOLTS LOOSE FOR THIS STEP OF ASSEMBLY.

STEP - 1A

NOTE: THESE HOLES ARE INTENTIONALLY LEFT EMPTY



3/8-16 X 1" BUTTON HEAD CAP BOLT (2X)
DO NOT FULLY TIGHTEN

USE THE 7/32" HEX KEY TO INSTALL

IMPORTANT:

LEAVE THE FIXTURE POSITIONED AS ASSEMBLED THEN PROCEED TO STEP 2 ON PAGE 4.

EXISTING UNIT RETROFIT APPLICATIONS

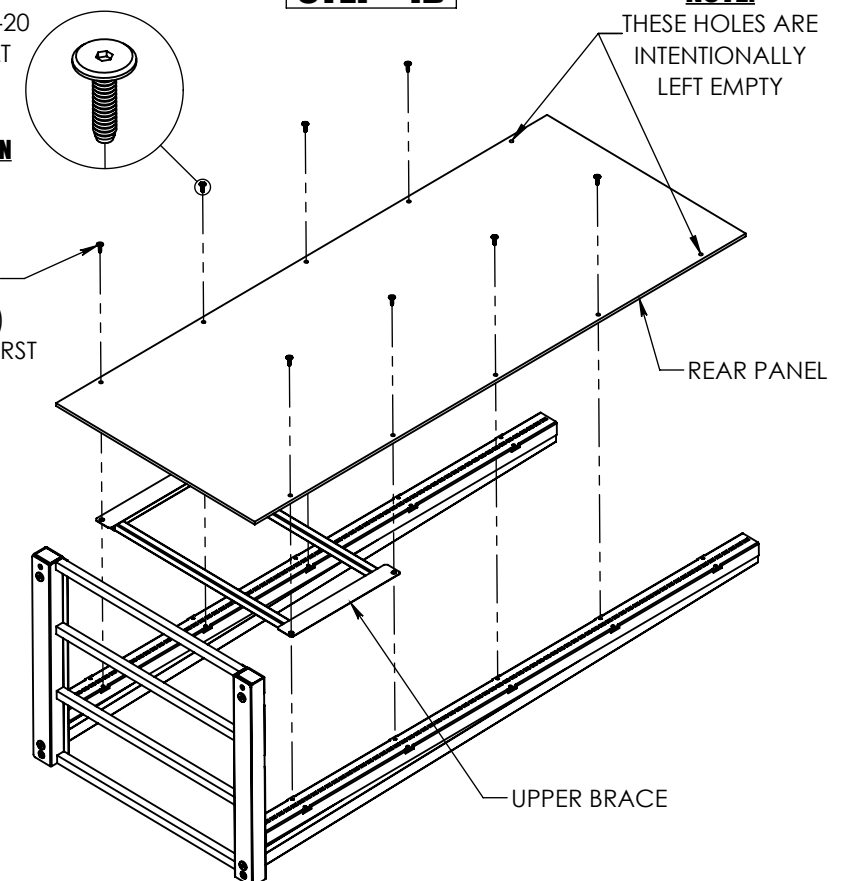
PROCEED TO PAGE 3 FOR UNIT ASSEMBLY.

STEP - 1B

NOTE: THESE HOLES ARE INTENTIONALLY LEFT EMPTY

25mm X 1/4-20 DECO BOLT (8X)
DO NOT FULLY TIGHTEN

IMPORTANT: INSTALL THE (4) BOTTOM BOLTS FIRST



EXISTING UNIT RETROFIT APPLICATIONS

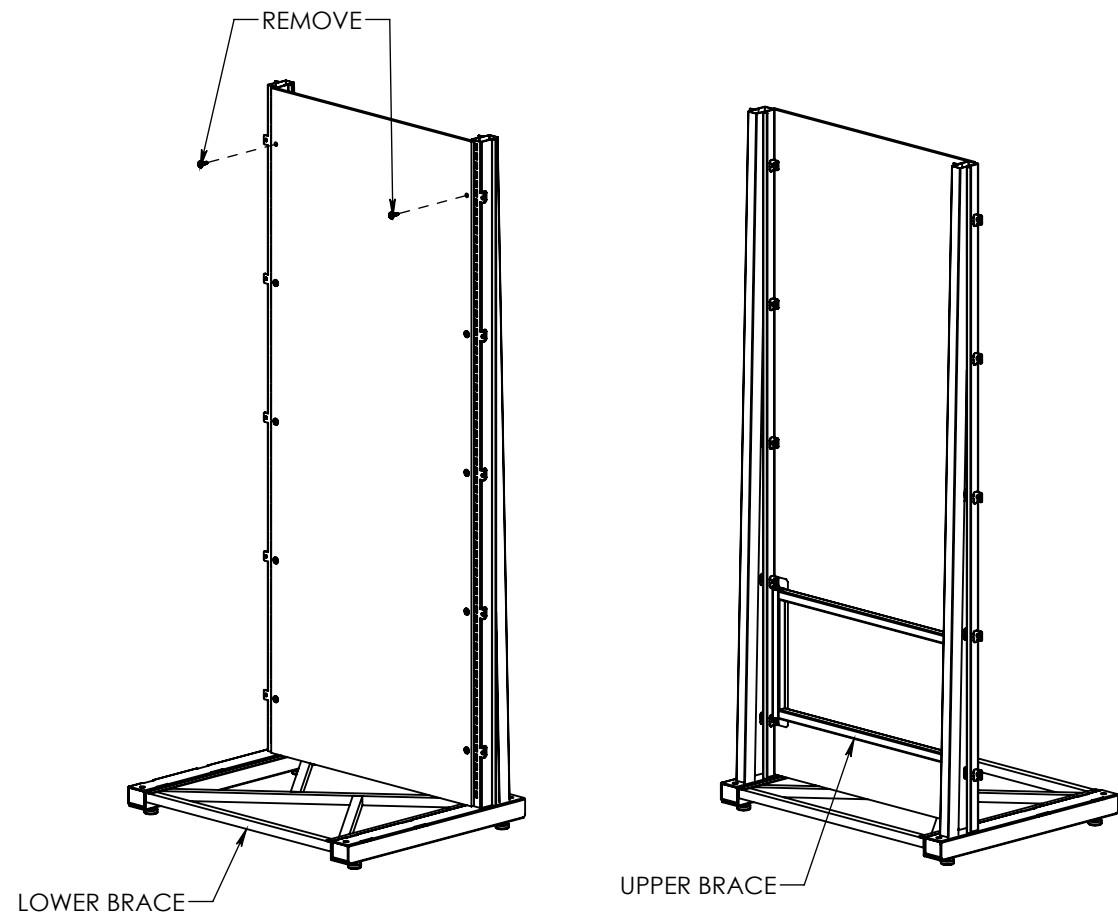
START HERE

IMPORTANT: TO ALLOW FOR EASY ALIGNMENT OF ALL PARTS, LEAVE ALL BOLTS LOOSE UNTIL STEP-5

STEP - 1A

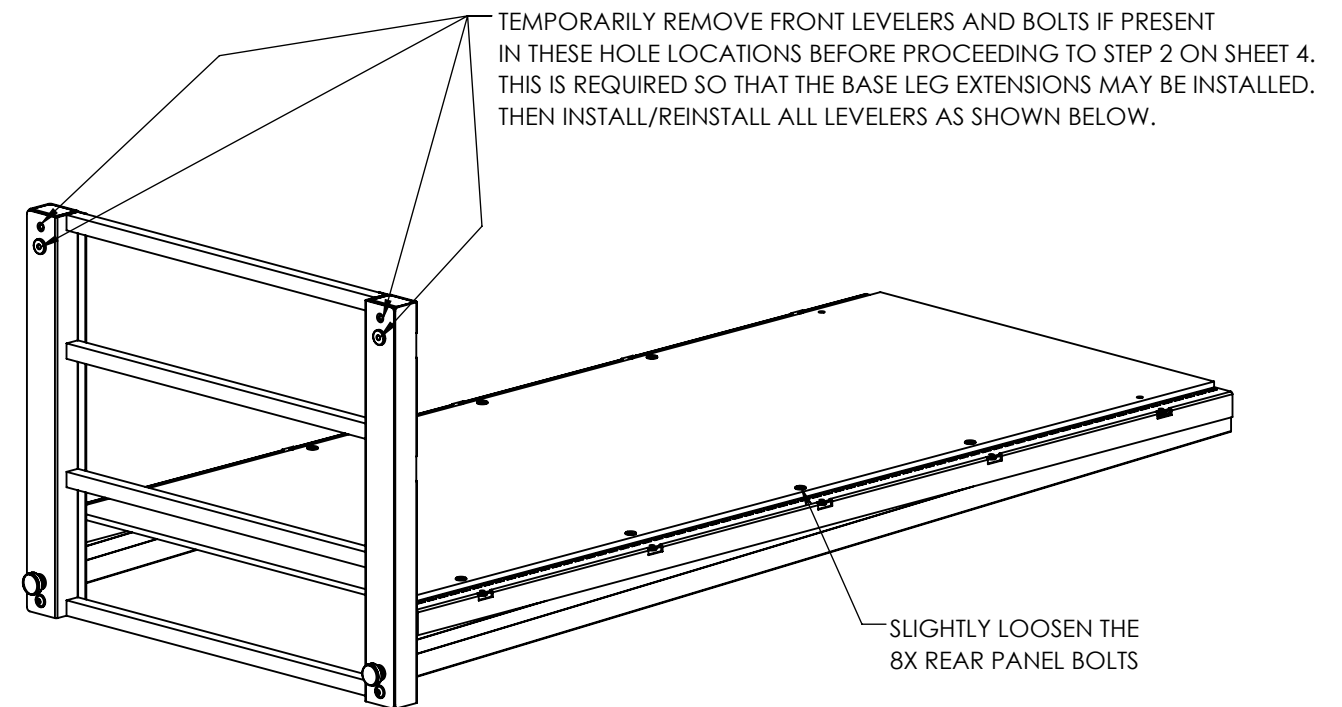
REMOVE ALL COMPONENTS FROM THE PRE-EXISTING BASE FIXTURE UNTIL THE UNIT APPEARS EXACTLY AS SHOWN.

THEN REMOVE THE TOP TWO REAR WALL BOLTS AS SHOWN.



STEP - 1B

CAREFULLY POSITION THE UNIT AS SHOWN BEFORE ATTEMPTING THIS STEP.



STOP HERE - IMPORTANT !

THE LOWER AND UPPER BRACE COMPONENTS MUST BE PRESENT TO CONTINUE WITH THE ASSEMBLY OF THIS UNIT.

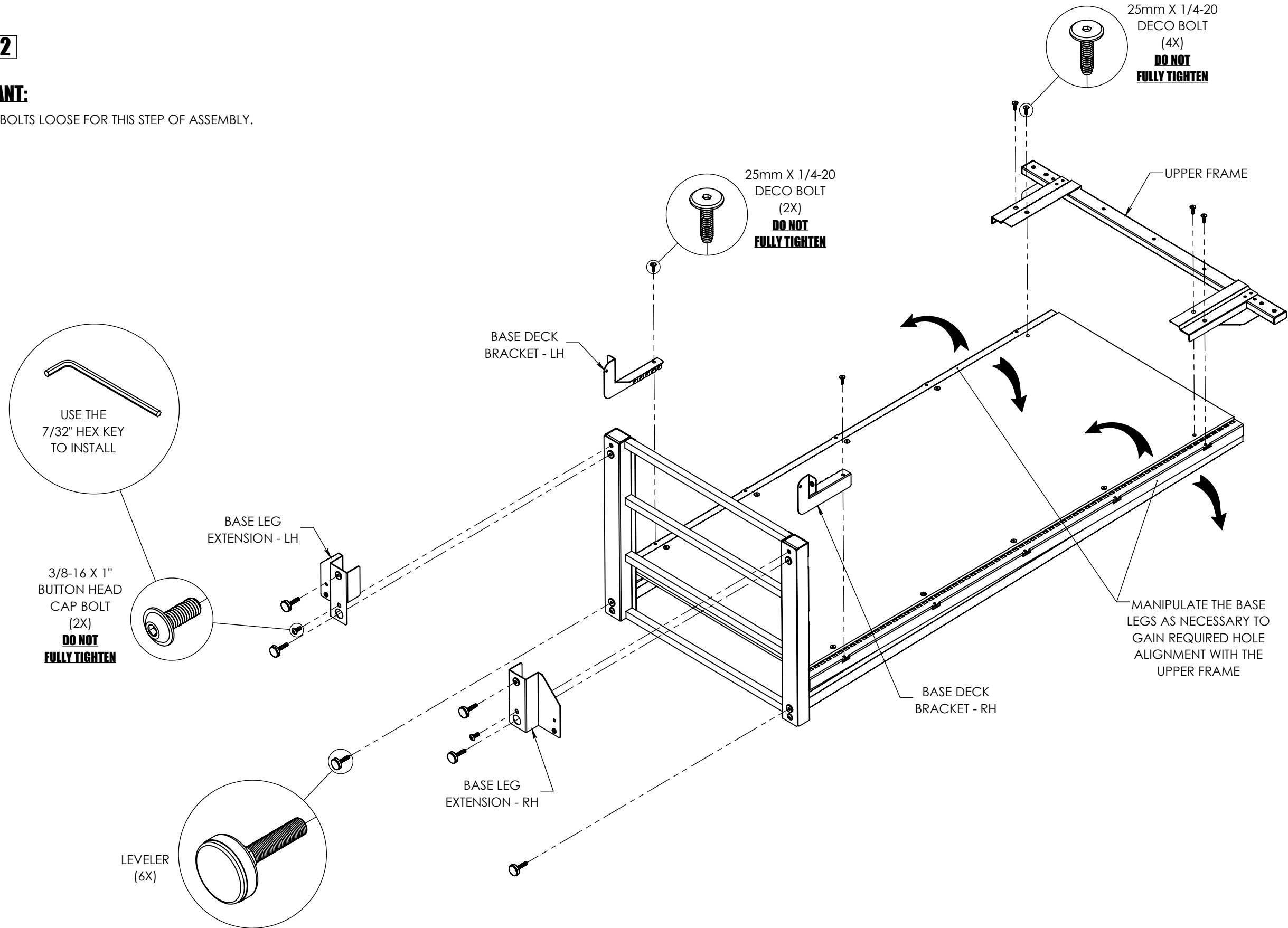
IF ANY ONE OR BOTH OF THESE CRITICAL STRUCTURAL COMPONENTS ARE MISSING THEN DISCONTINUE ASSEMBLY UNTIL THEY ARE LOCATED AND INSTALLED AS SHOWN.

CONTINUING UNIT ASSEMBLY WITHOUT THESE KEY STRUCTURAL COMPONENTS IS VERY DANGEROUS AND INJURY TO YOURSELF OR OTHERS MAY OCCUR.

STEP - 2

IMPORTANT:

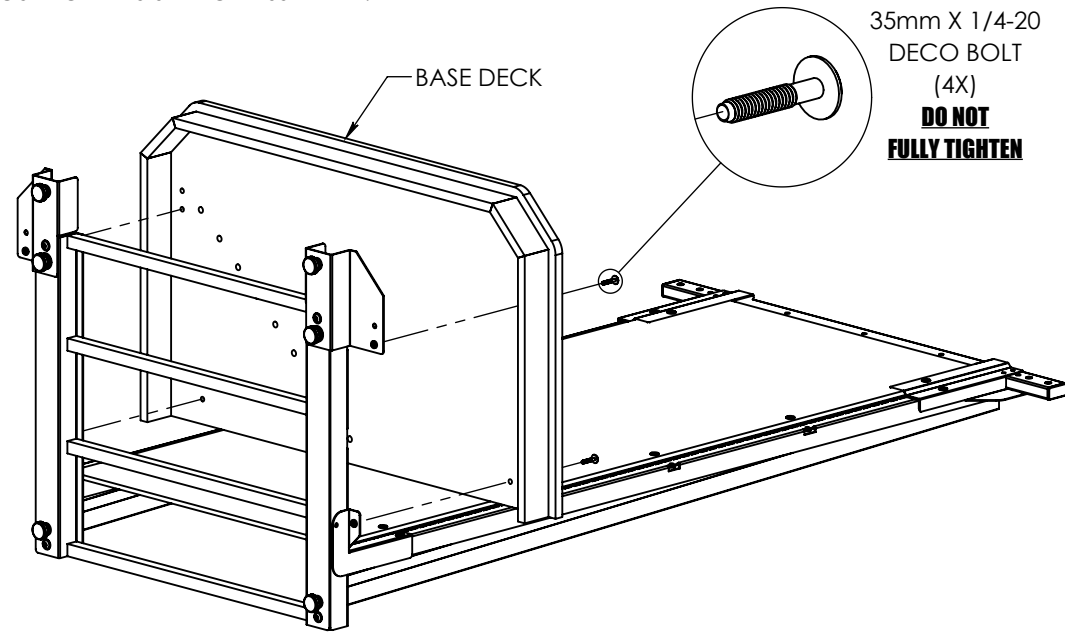
LEAVE ALL BOLTS LOOSE FOR THIS STEP OF ASSEMBLY.



STEP - 3

IMPORTANT:

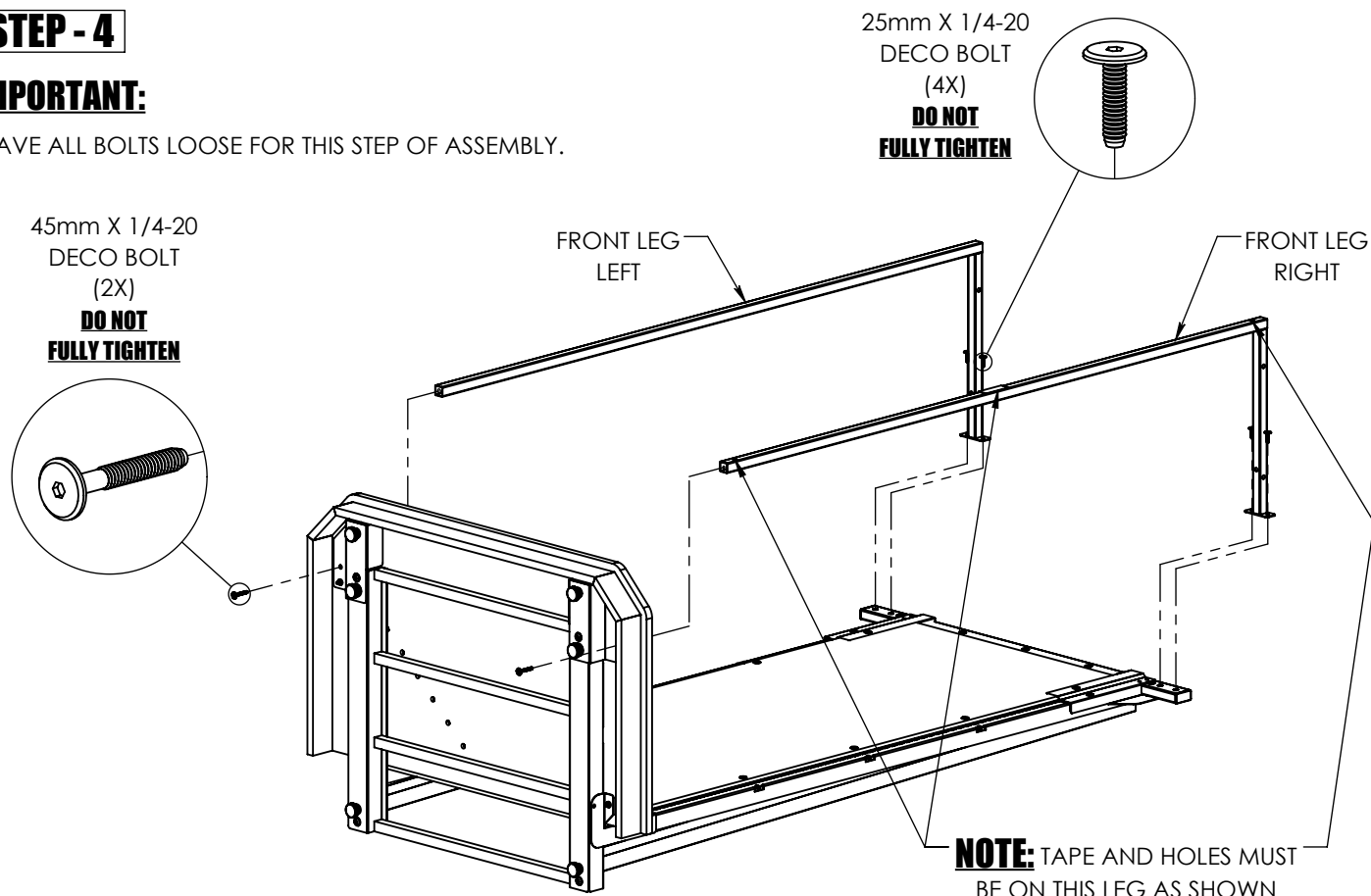
LEAVE ALL BOLTS LOOSE FOR THIS STEP OF ASSEMBLY.



STEP - 4

IMPORTANT:

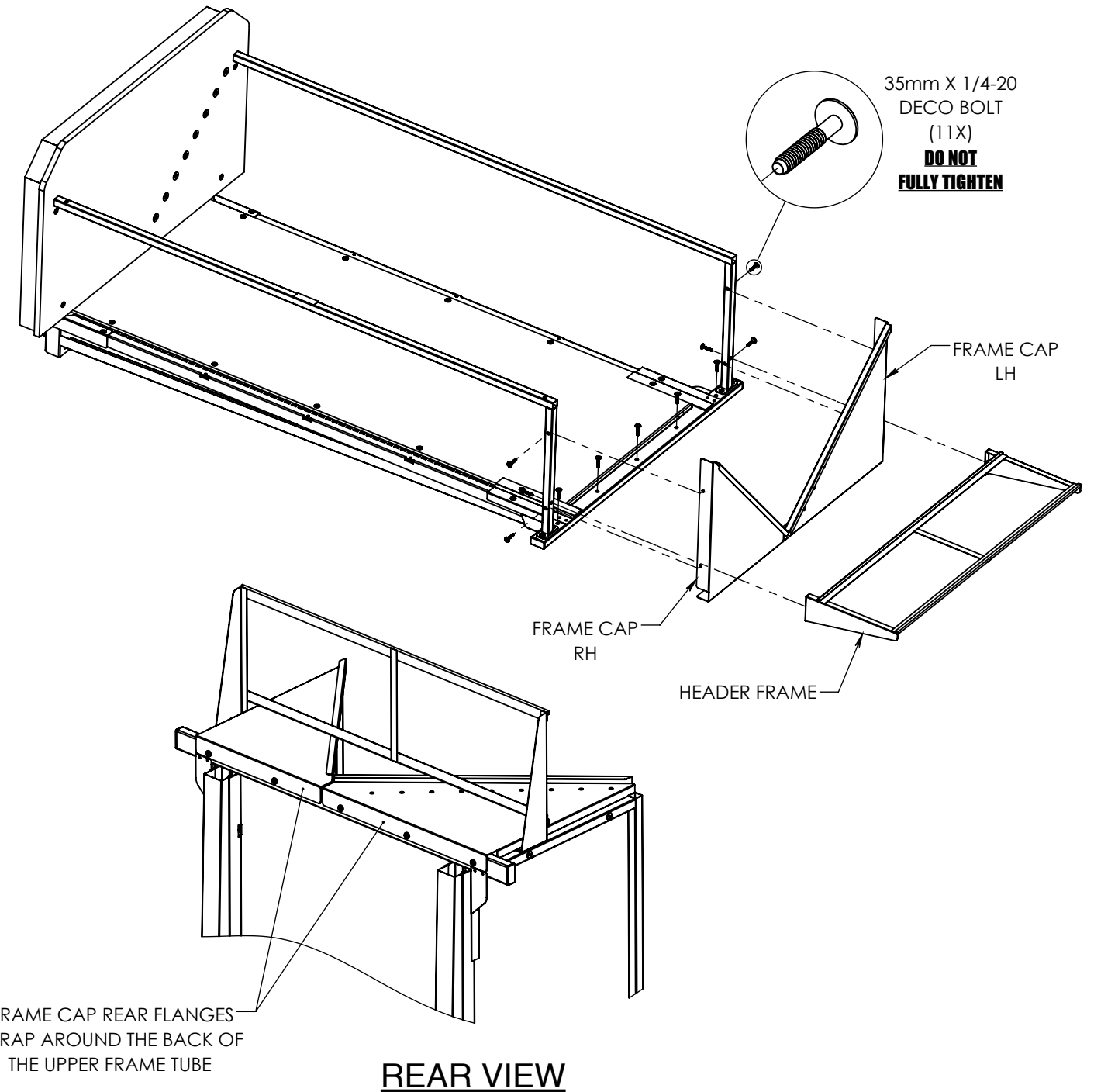
LEAVE ALL BOLTS LOOSE FOR THIS STEP OF ASSEMBLY.



STEP - 5

IMPORTANT:

LEAVE ALL BOLTS LOOSE FOR THIS STEP OF ASSEMBLY.

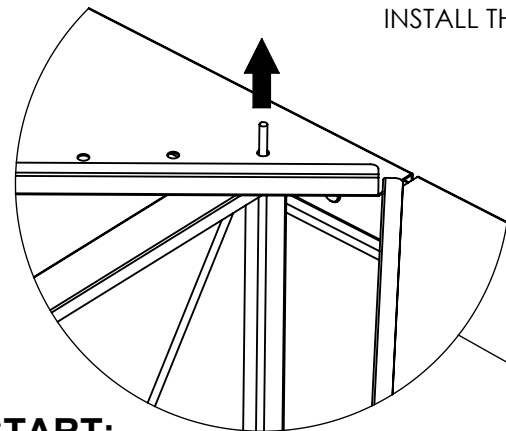


IMPORTANT:

FINAL TIGHTEN ALL BOLTS UPON THE COMPLETION OF THIS STEP AND PRIOR TO STANDING THE DISPLAY FIXTURE TO THE UPRIGHT POSITION.

STEP - 6

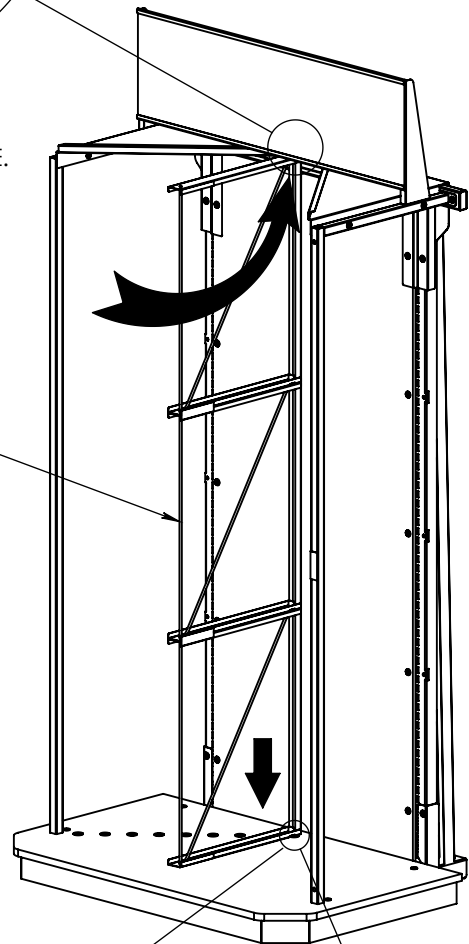
INSTALL THE FIRST WING FRAME AS SHOWN.



START:

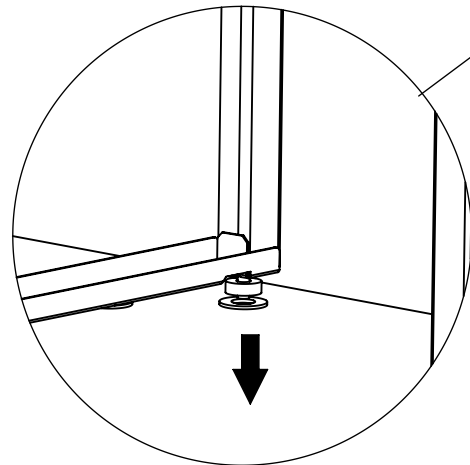
LIFT UP TO INSTALL THE WING UPPER PIN INTO THE DESIGNATED FRAME CAP HOLE.

WING FRAME
(9X)



FINISH:

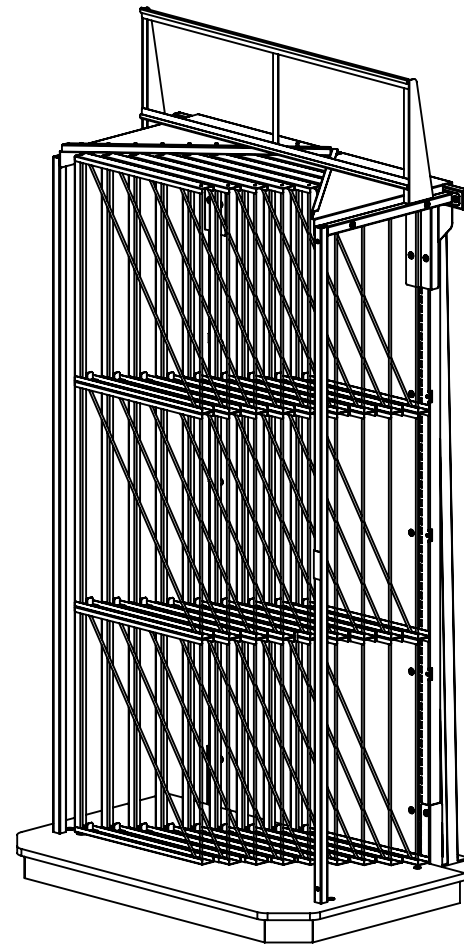
SLIP A WING WASHER ONTO THE LOWER PIN AND THEN DROP DOWN INTO THE DESIGNATED BASE DECK HOLE.



WING WASHER
(9X)

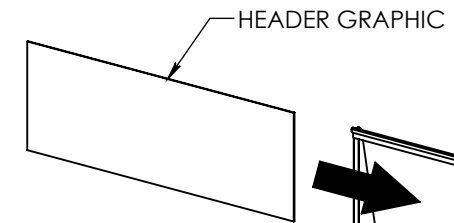
STEP - 7

REPEAT STEP 6 TO INSTALL THE REMAINING WING FRAMES WORKING FROM BACK TO FRONT.



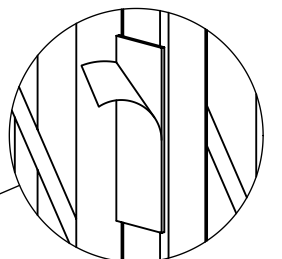
STEP - 8

INSTALL UNIT GRAPHICS AS SHOWN.



HEADER GRAPHIC

SIDE GRAPHIC

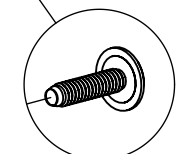


FOAM TAPE
(1X)

REMOVE PAPER BACKER FROM FOAM TAPE BEFORE INSTALLATION OF SIDE GRAPHIC



DECO
CAP NUT
(2X)



25mm X 1/4-20
DECO BOLT
(2X)