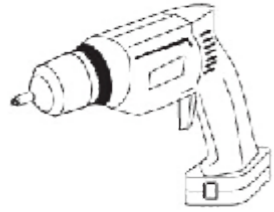


# **REALTA SIMPLESTAIRS DISPLAY ASSEMBLY INSTRUCTIONS**

**AUGUST 2020**

# RECOMMENDED TOOLS



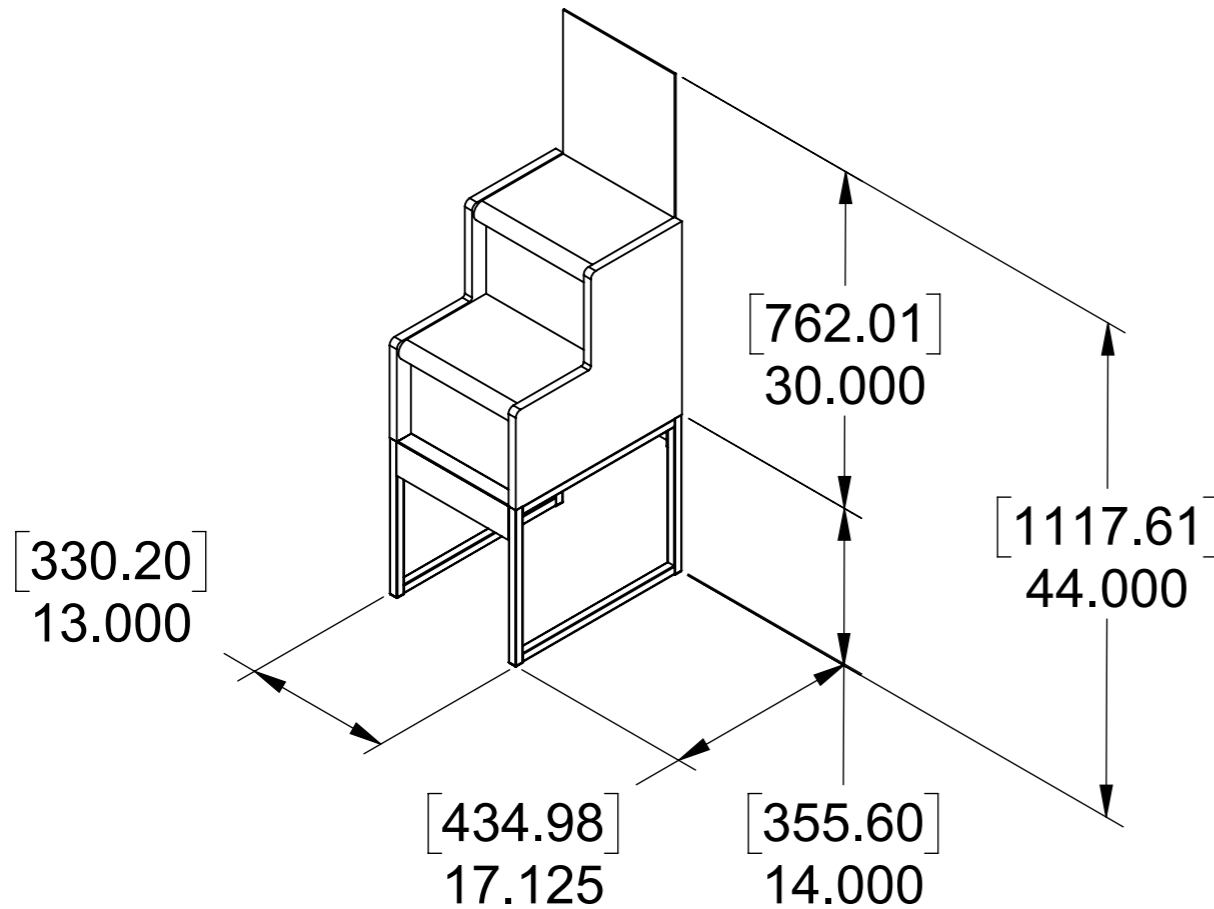
CORDLESS  
POWER DRILL



4mm HEX BIT



4mm HEX KEY



Be sure to provide a minimum of 13.0" to install this display.  
Display Foot Print: 13.0" x 17.125" x 44.0"



**HAND TIGHTEN ALL FASTENERS  
DURING ASSEMBLY.**

**WHEN ASSEMBLY IS COMPLETED  
USE APPROPRIATE TOOLS TO SECURE  
ALL FASTENERS PERMANENTLY.**

# SAFETY GUIDELINES

**Failure to follow the assembly instructions could result in damage or injury.**

**Install in a level and stable location. If not on a level surface please level before installation.**

**Assemble display in the area it will occupy. Never attempt to move display after loading.**

**When using any power tools, always use eye protection.**



**Do not work on this display with product in it. Unload display before relocating unit. Failure to do this may result in damage or injury.**



**For proper installation and safety follow all steps in sequential order.**

**Two people required to set up this display.**



For customer assistance: [POPServices@artguildinc.com](mailto:POPServices@artguildinc.com)  
or call 877.233.7962 and ask for Customer representative.

---

# CARTON CONTENTS

---

## Realta SimpleStairs™ Display Parts List

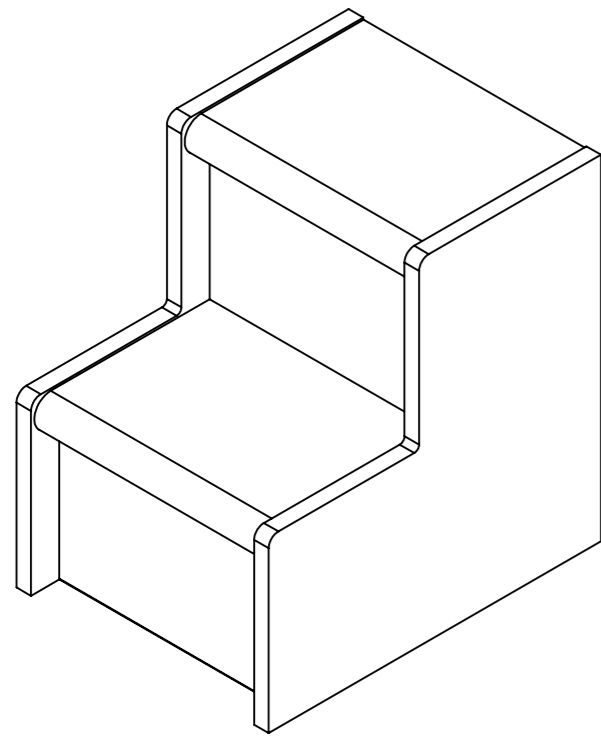
<u>Order Code</u>	<u>Material</u>	<u>Description (cartons in <b>BOLD</b>)</u>	<u>Carton QTY</u>	<u>Part QTY</u>
<b>805222</b>	<b>467962</b>	<b>Realta SimpleStairs™ Display</b>	<b>1</b>	
805223	468139	Assembled stair unit		1
805224	468140	front spreader		1
805225	468141	rear spreader		4
805226	468142	stand end		2
805227	468143	header graphic		1
805228	468144	logo magnet		1
805229	468145	SimpleStairs™ hardware bag		1
n/a	n/a	Instruction sheet		1

---

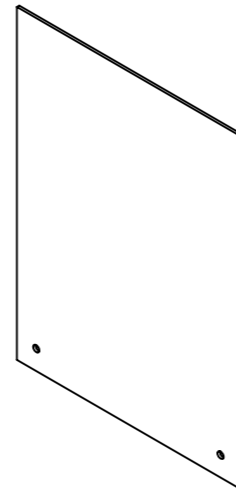
---

# PARTS

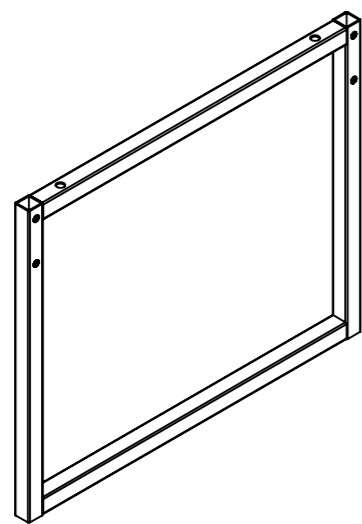
---



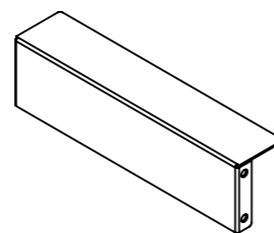
STEP BASE ASSEMBLY  
1x



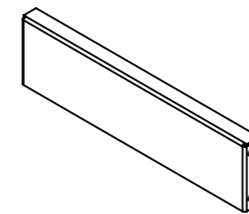
BACK GRAPHIC  
1x



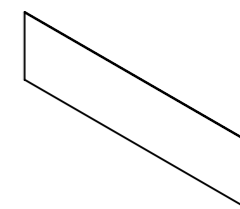
STAND END  
2x



FRONT SPREADER  
1x



REAR SPREADER  
1x



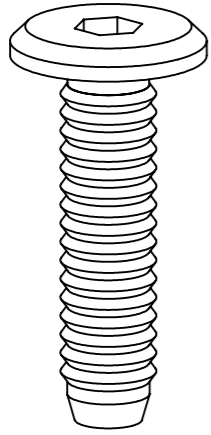
BASE GRAPHIC  
1x

---

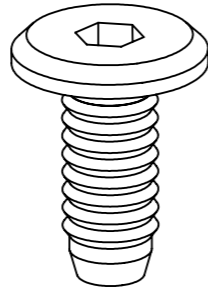
---

# HARDWARE

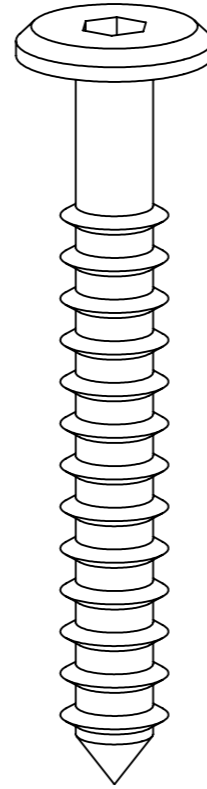
---



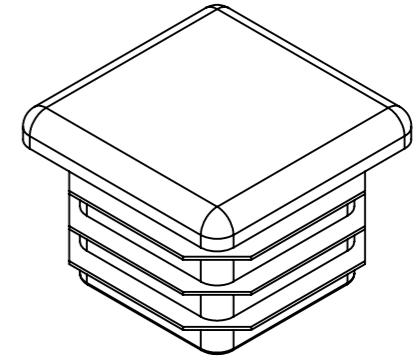
25mm DECO BOLT  
**2x**



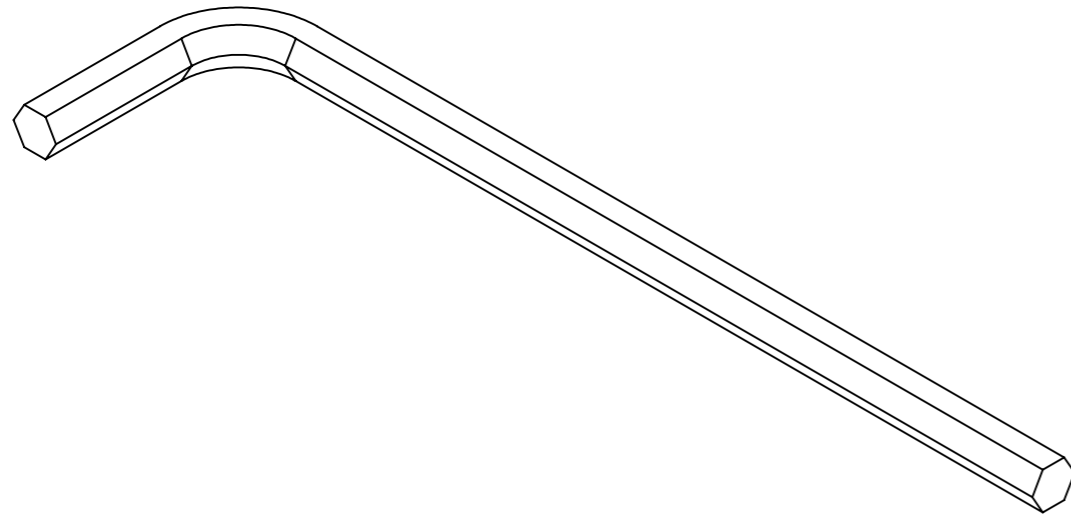
15mm DECO BOLT  
**8x**



50mm DECO WOOD  
SCREW  
**4x**



SQUARE TUBE CAP  
**4x**

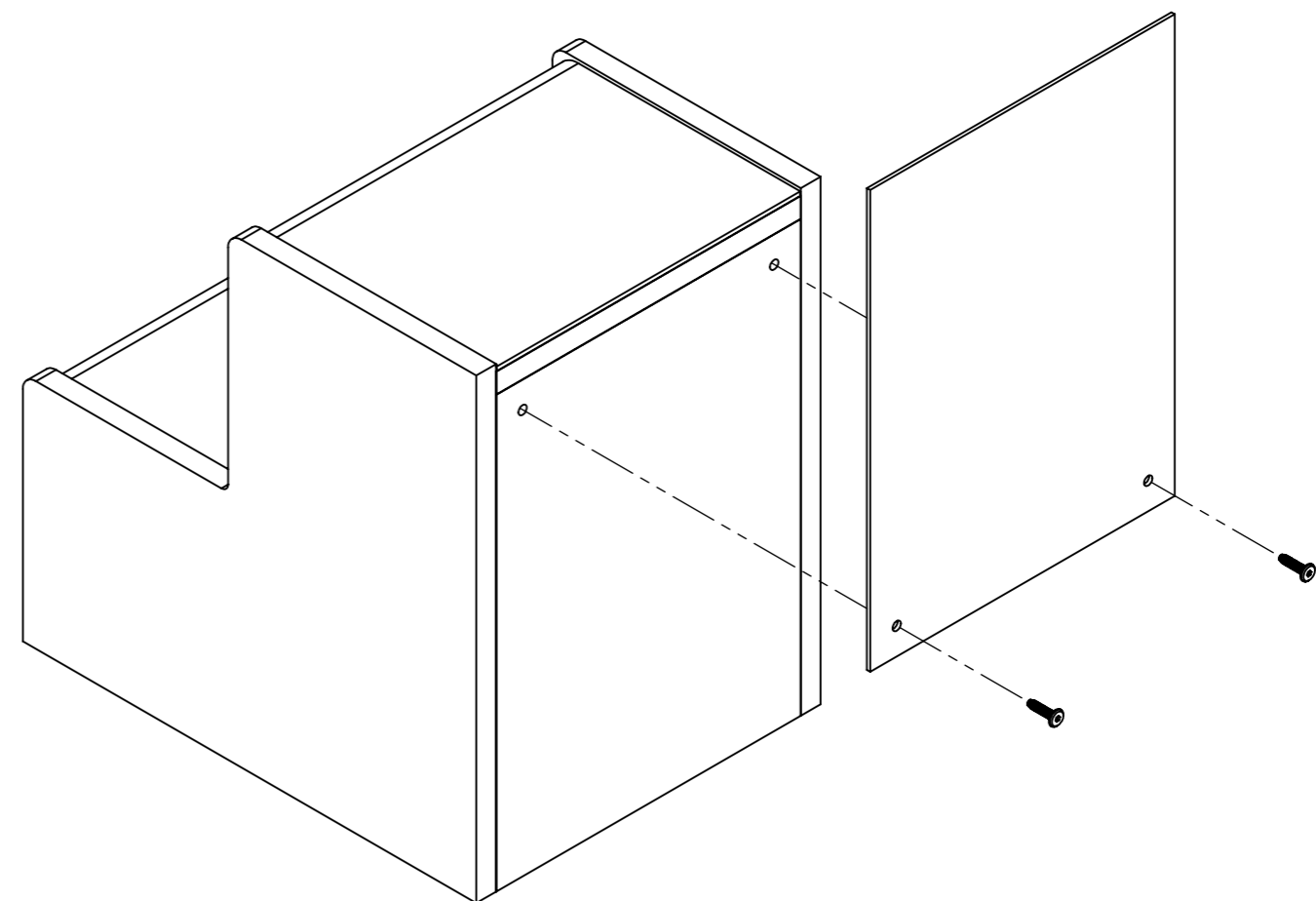
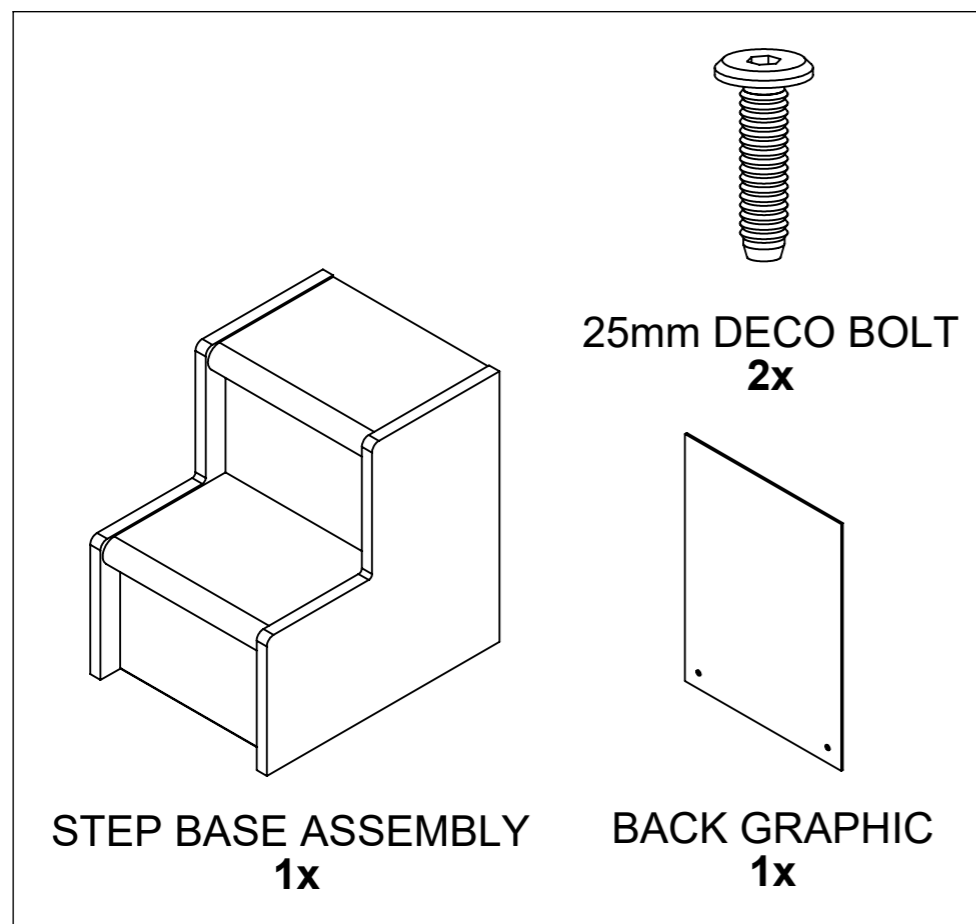


4mm HEX KEY  
**1x**

---

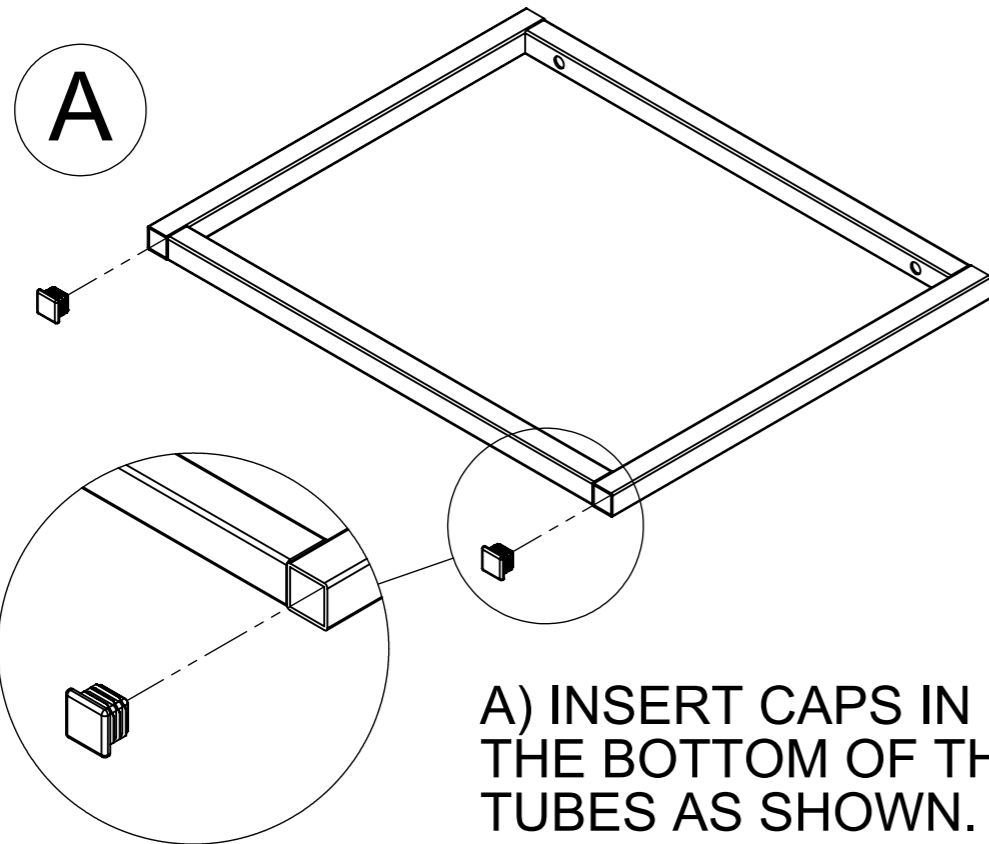
# Step 1

ATTACH THE BACK GRAPHIC TO THE STEP BASE ASSEMBLY WITH (2) 25mm DECO BOLTS AS SHOWN.

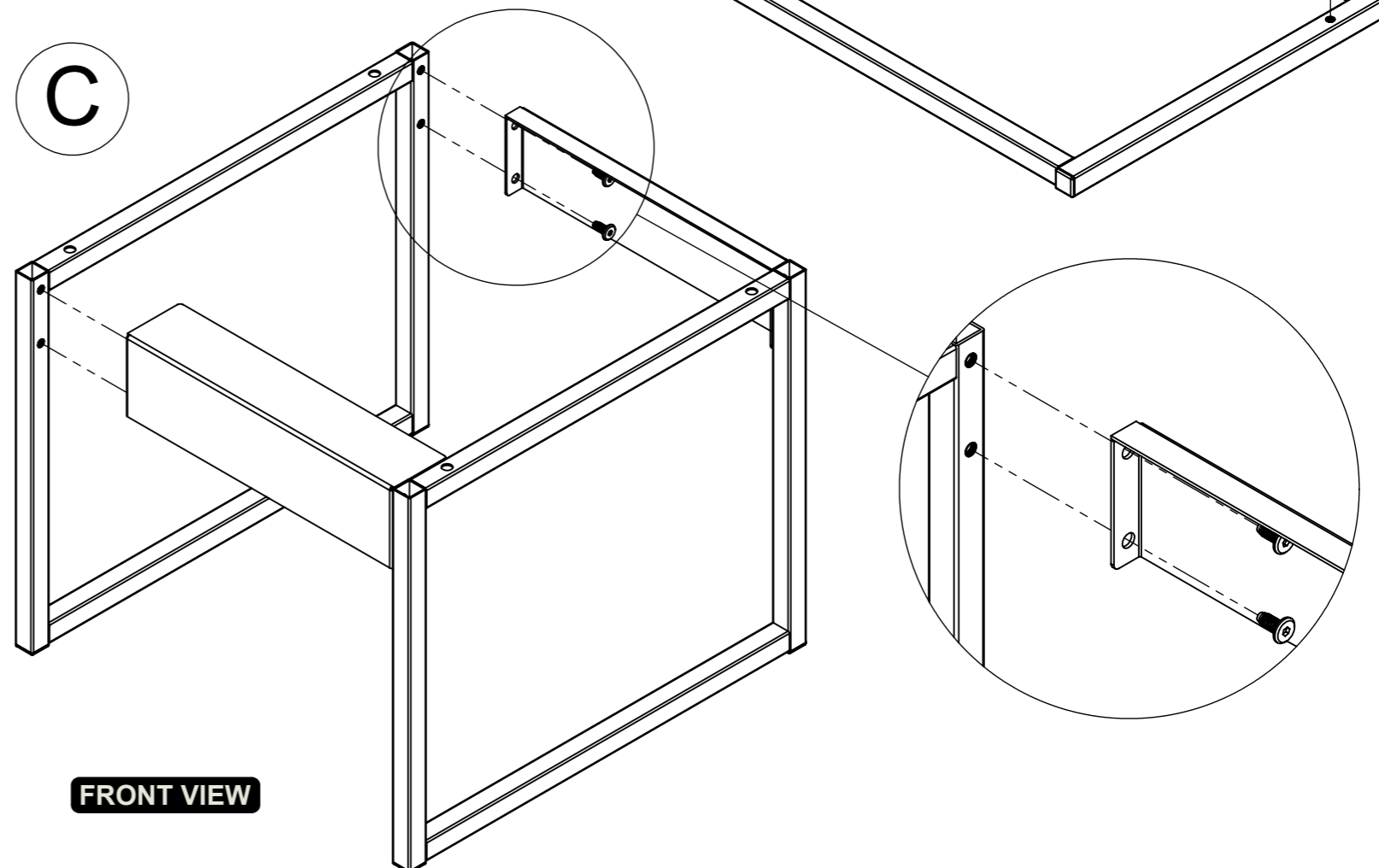
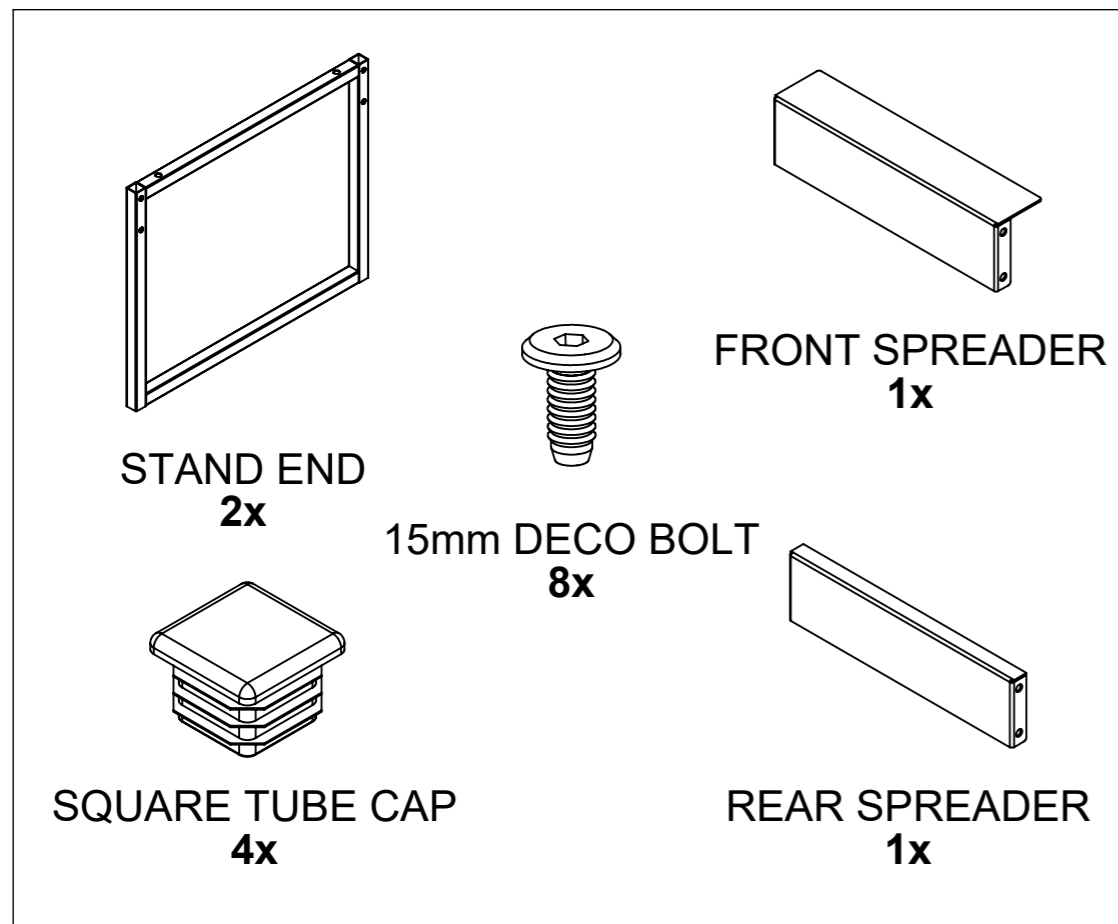
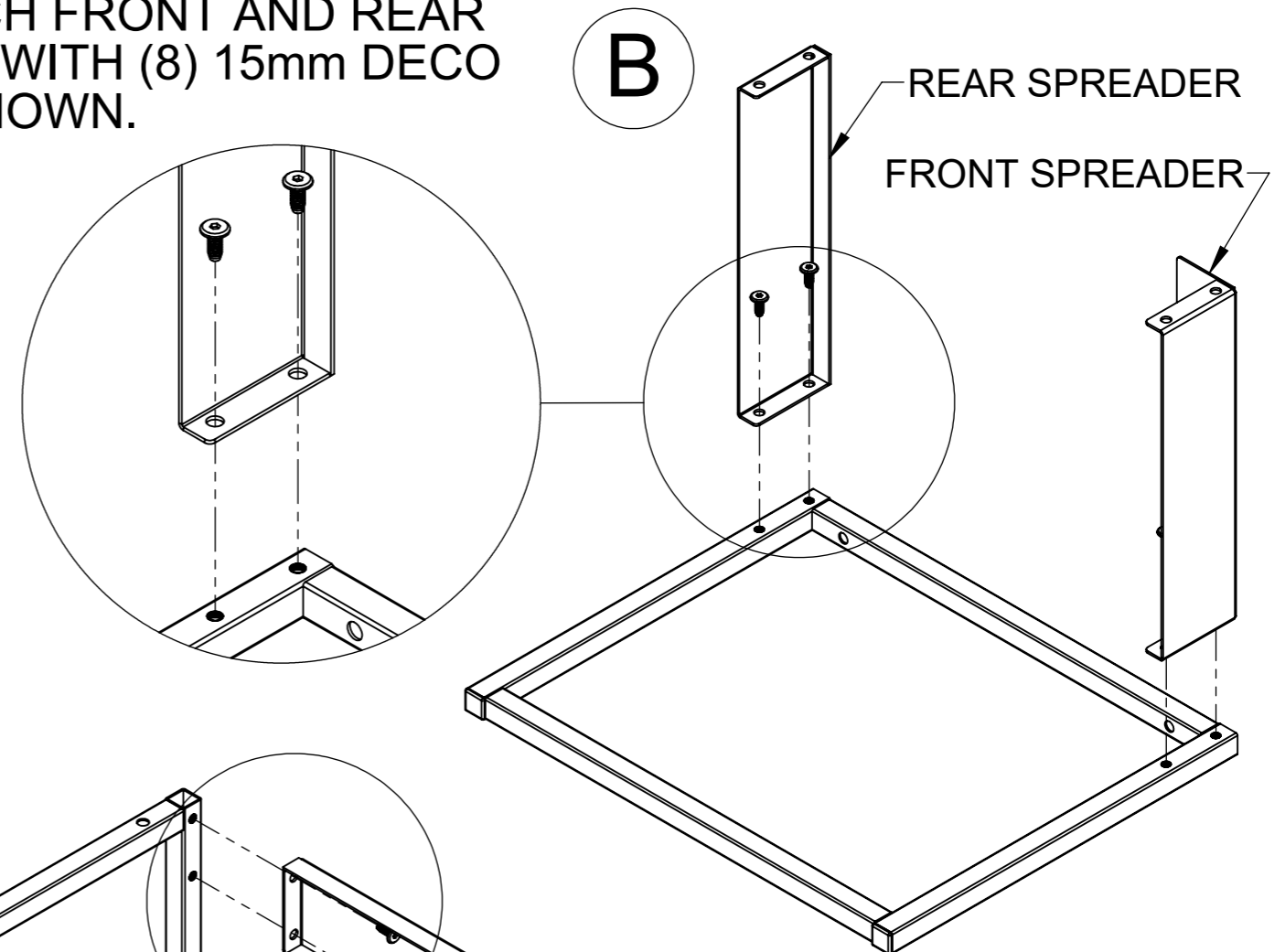


**BACK VIEW**

# Step 2

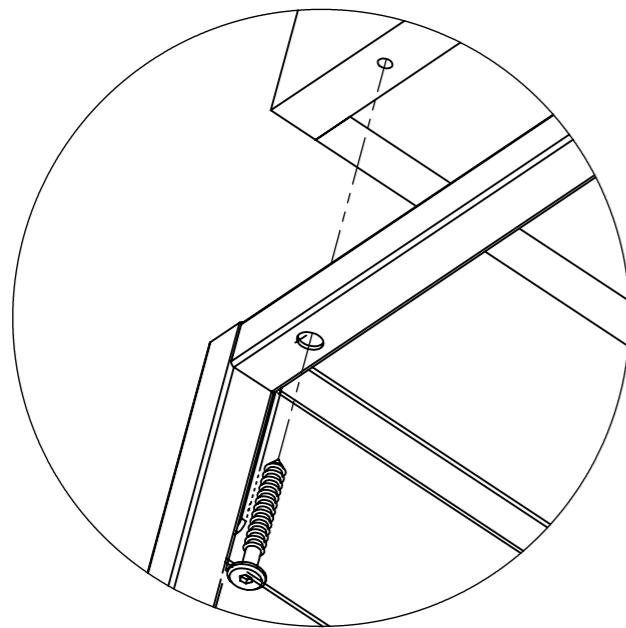


B & C) ATTACH FRONT AND REAR SPREADERS WITH (8) 15mm DECO BOLTS AS SHOWN.

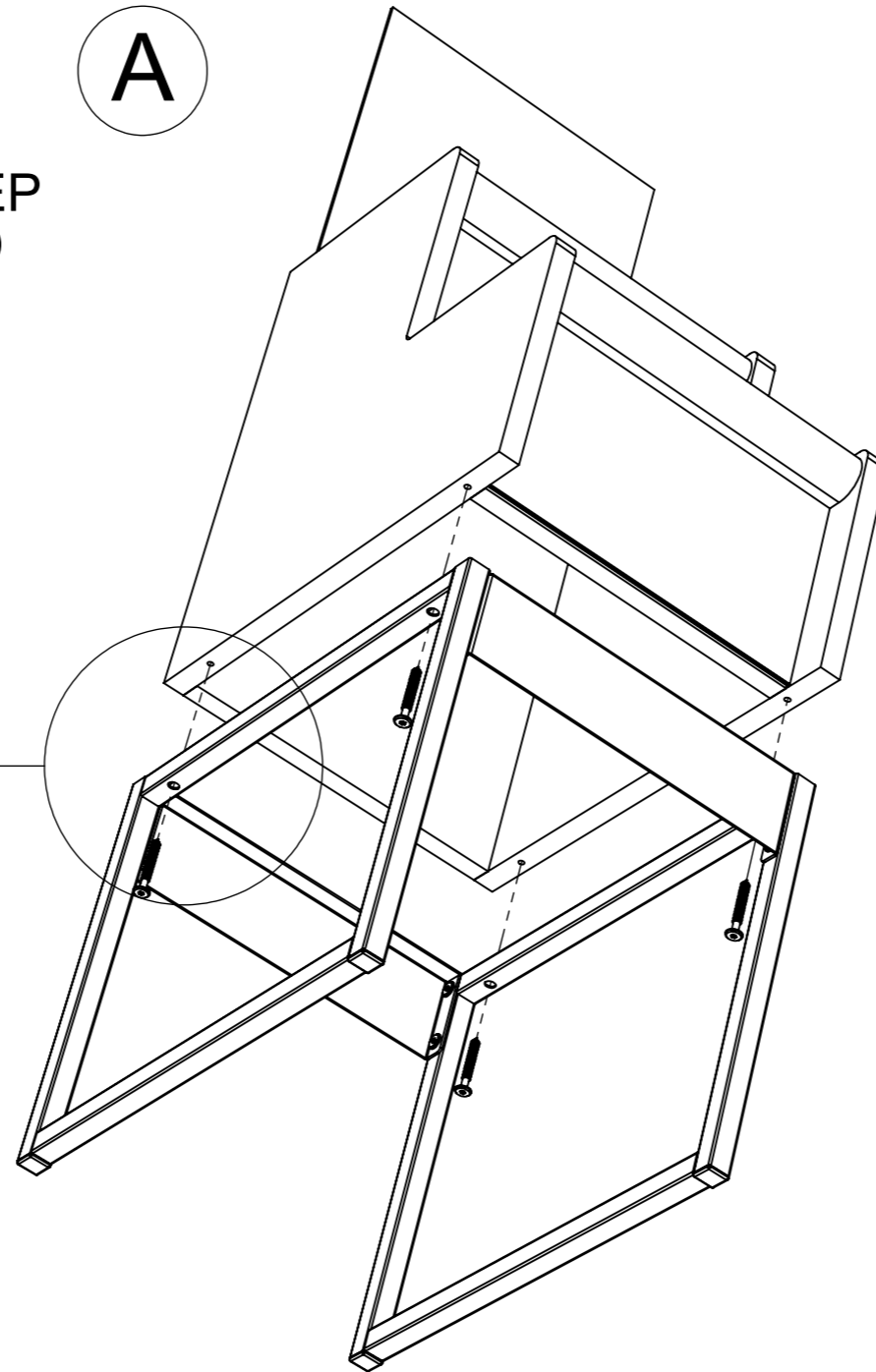


# Step 3

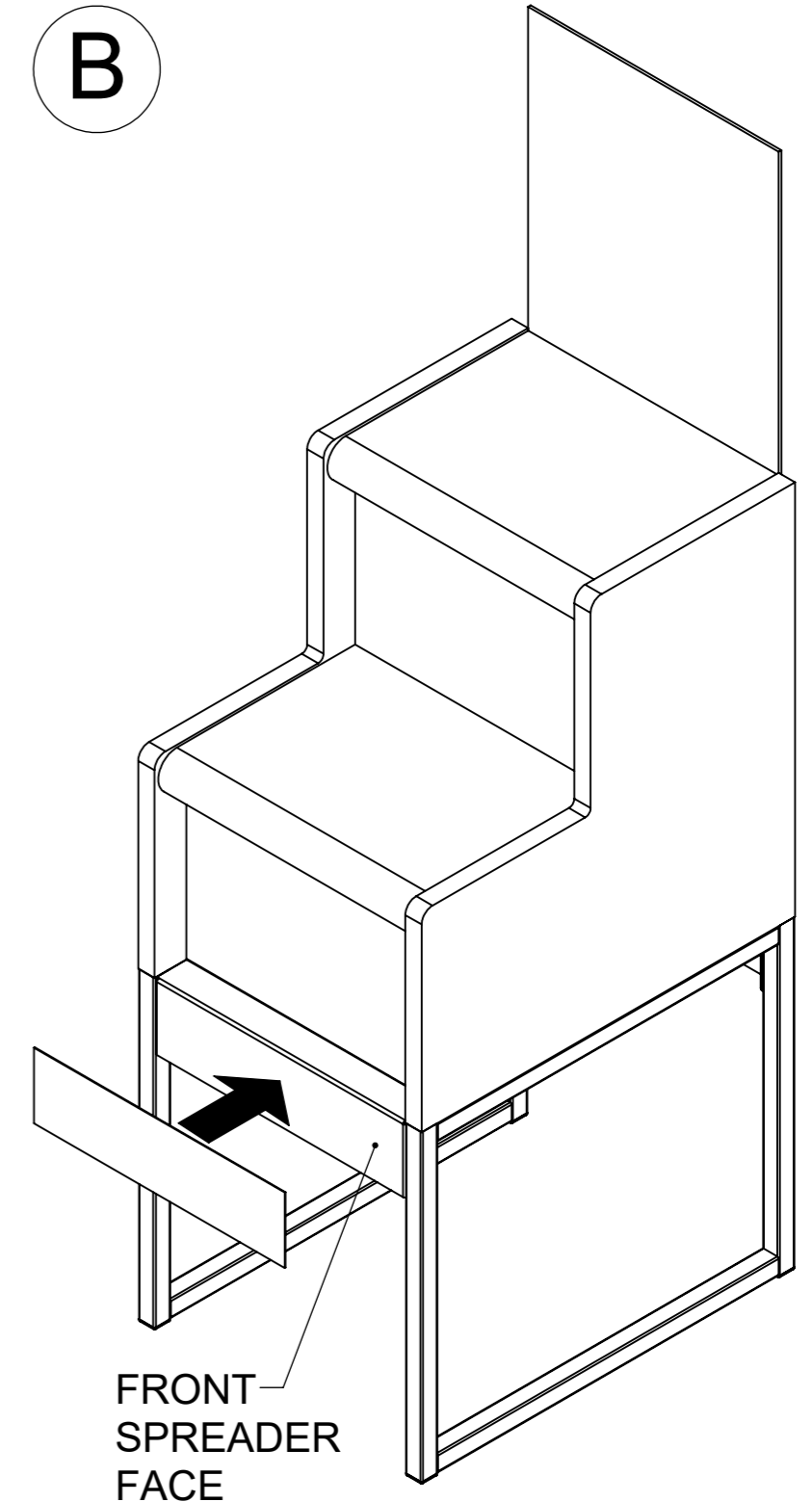
A) ATTACH THE STAND TO THE STEP BASE USING (4) 50mm DECO WOOD SCREWS AS SHOWN.



A



B



50mm DECO WOOD SCREW 4x  
BASE GRAPHIC 1x

B) CENTER THE MAGNETIC BASE GRAPHIC ON THE FACE OF THE FRONT SPREADER.

FRONT SPREADER FACE



---

**CONGRATULATIONS YOU HAVE SUCCESSFULLY ASSEMBLED  
THE REALTA SIMPLESTAIRS DISPLAY.**

**NEVER MOVE LOADED DISPLAY**

**MAKE SURE ALL FASTENERS ARE TIGHTENED**