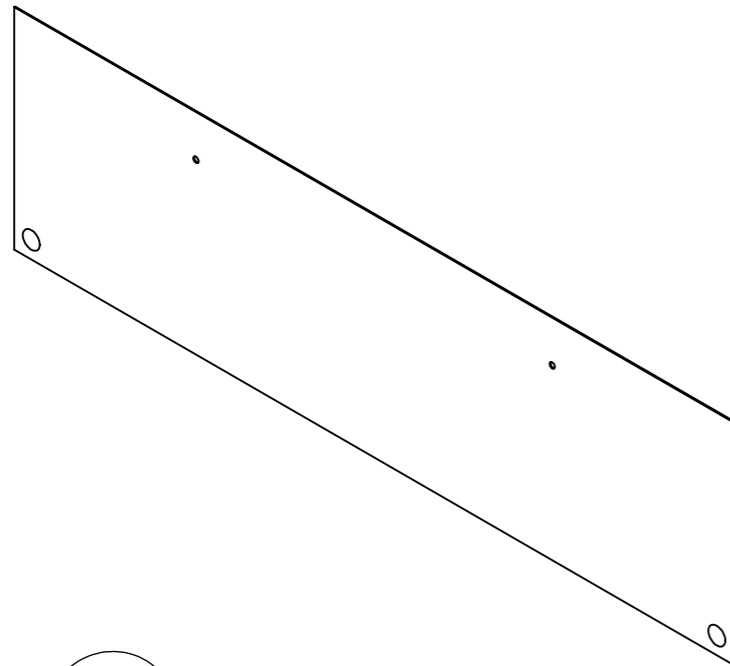


MANNINGTON REALTA™ 2020

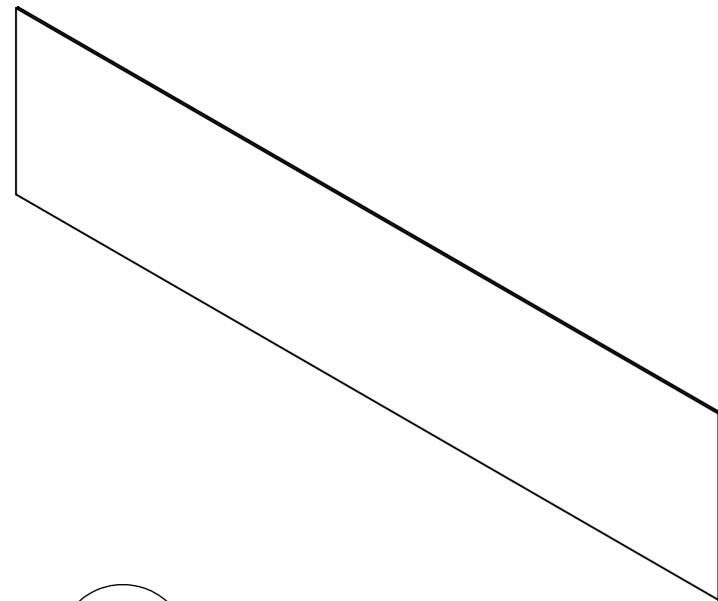
GRAPHIC UPDATE

ASSEMBLY INSTRUCTIONS

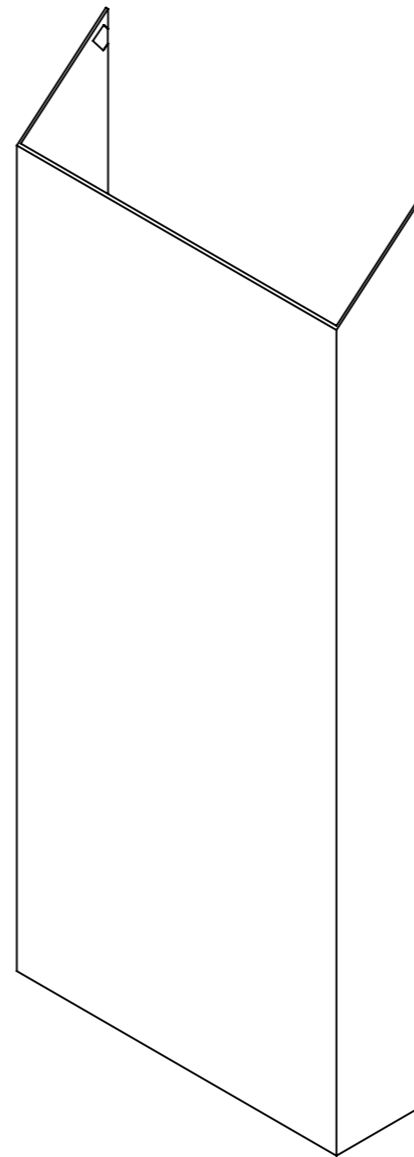
AUGUST 2020



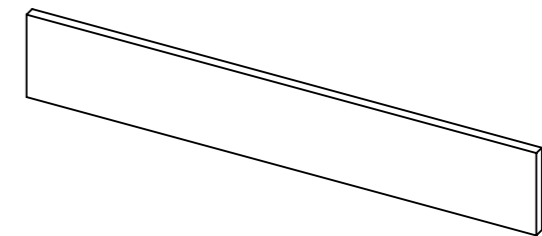
**A** HEADER OVERLAY  
1x



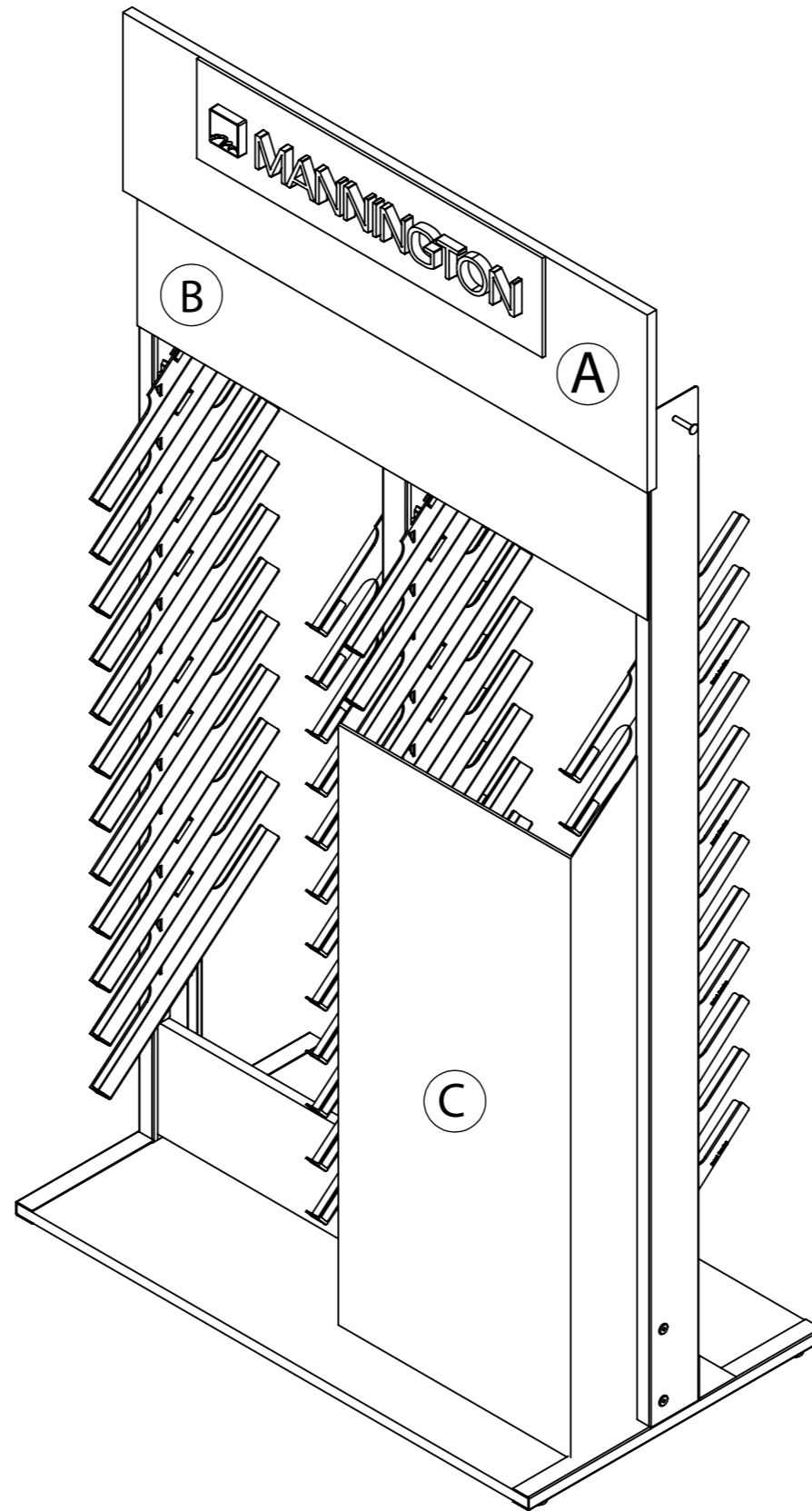
**B** MAIN GRAPHIC  
1x



**C** SAMPLE AREA GRAPHIC  
1x



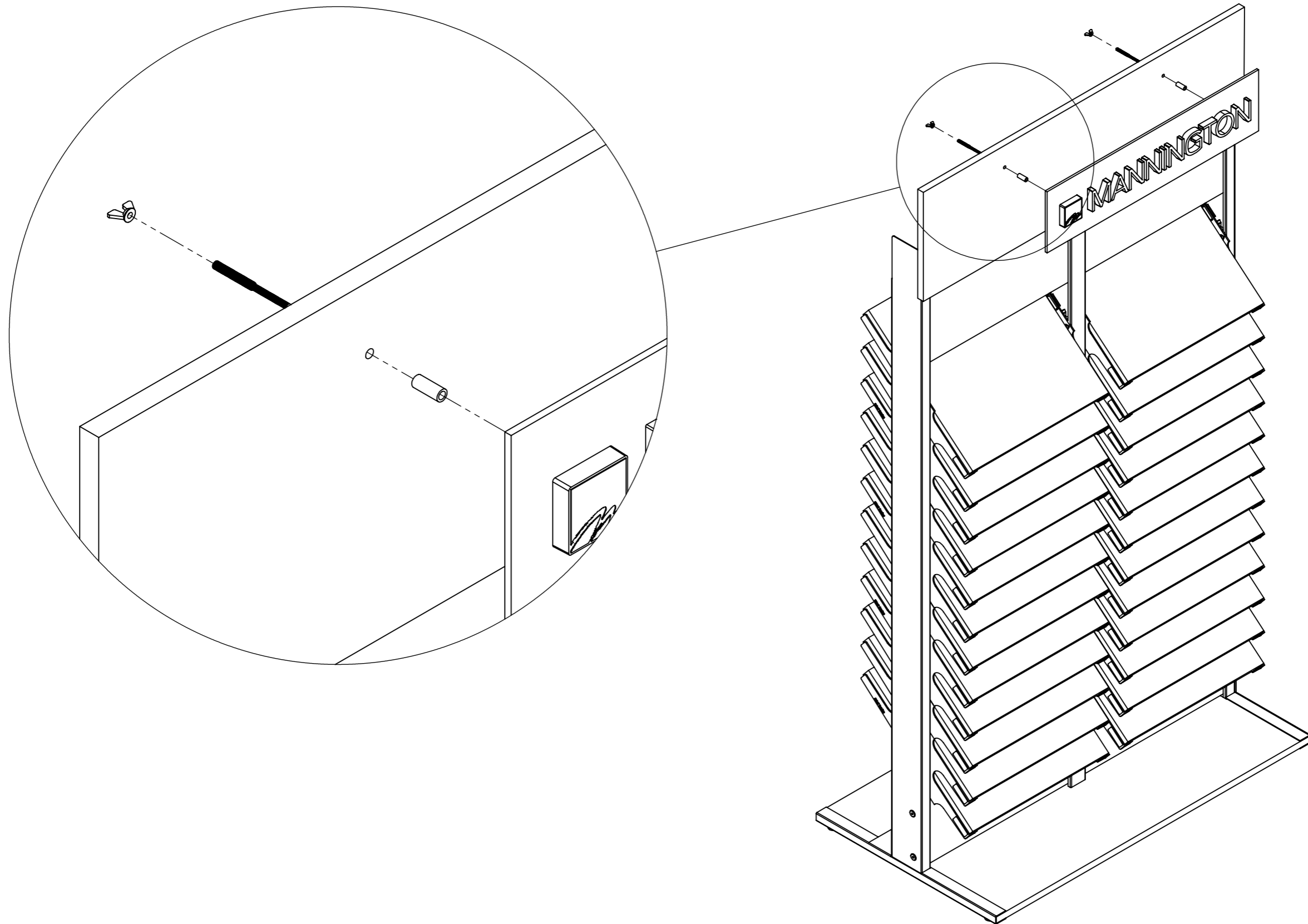
VELCRO STRIP  
8x



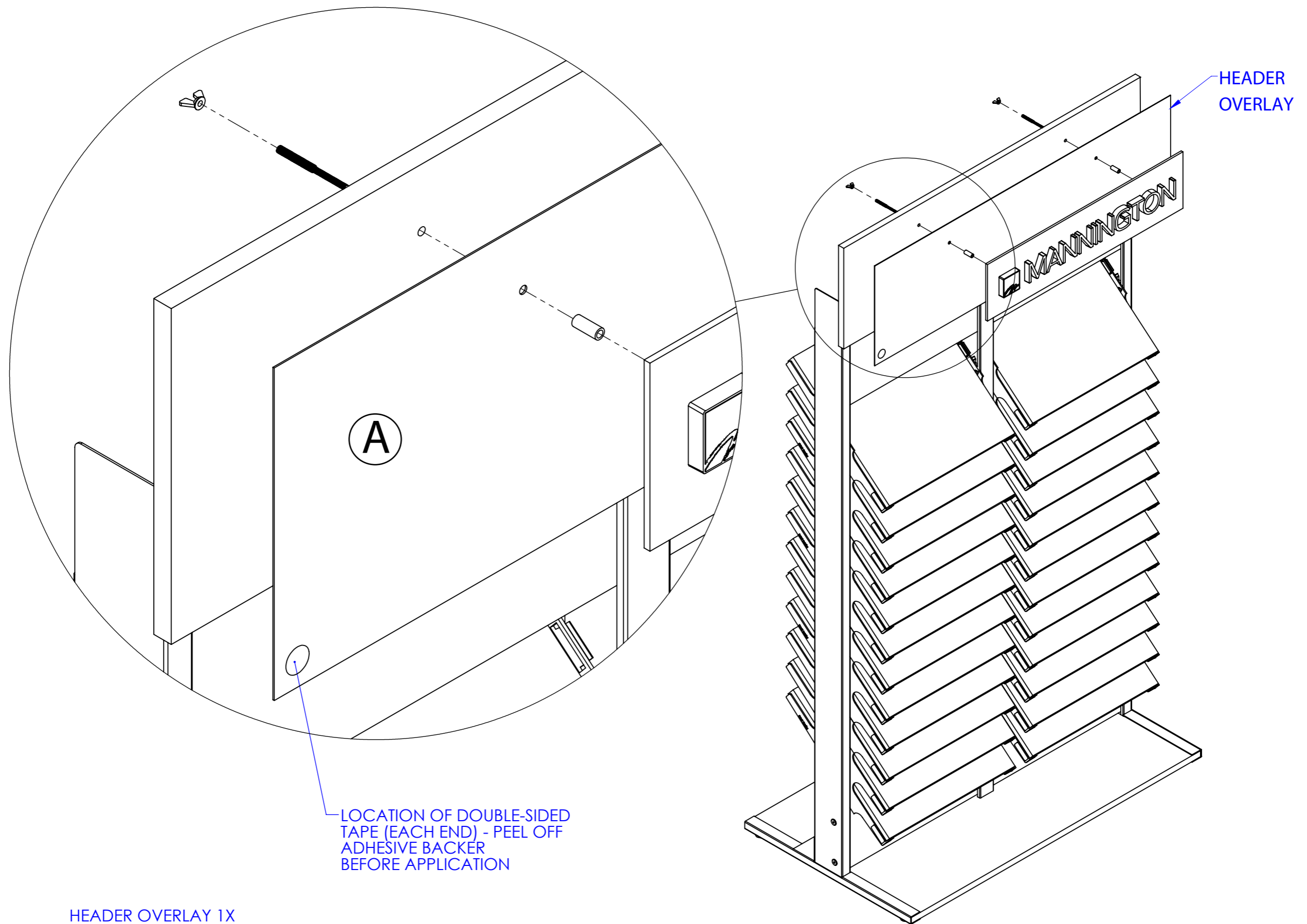
NOTE: If assembling a NEW Realta Display, Discard component "A", and proceed to step 4.

# Step 1

REMOVE HEADER AND  
SAVE HARDWARE



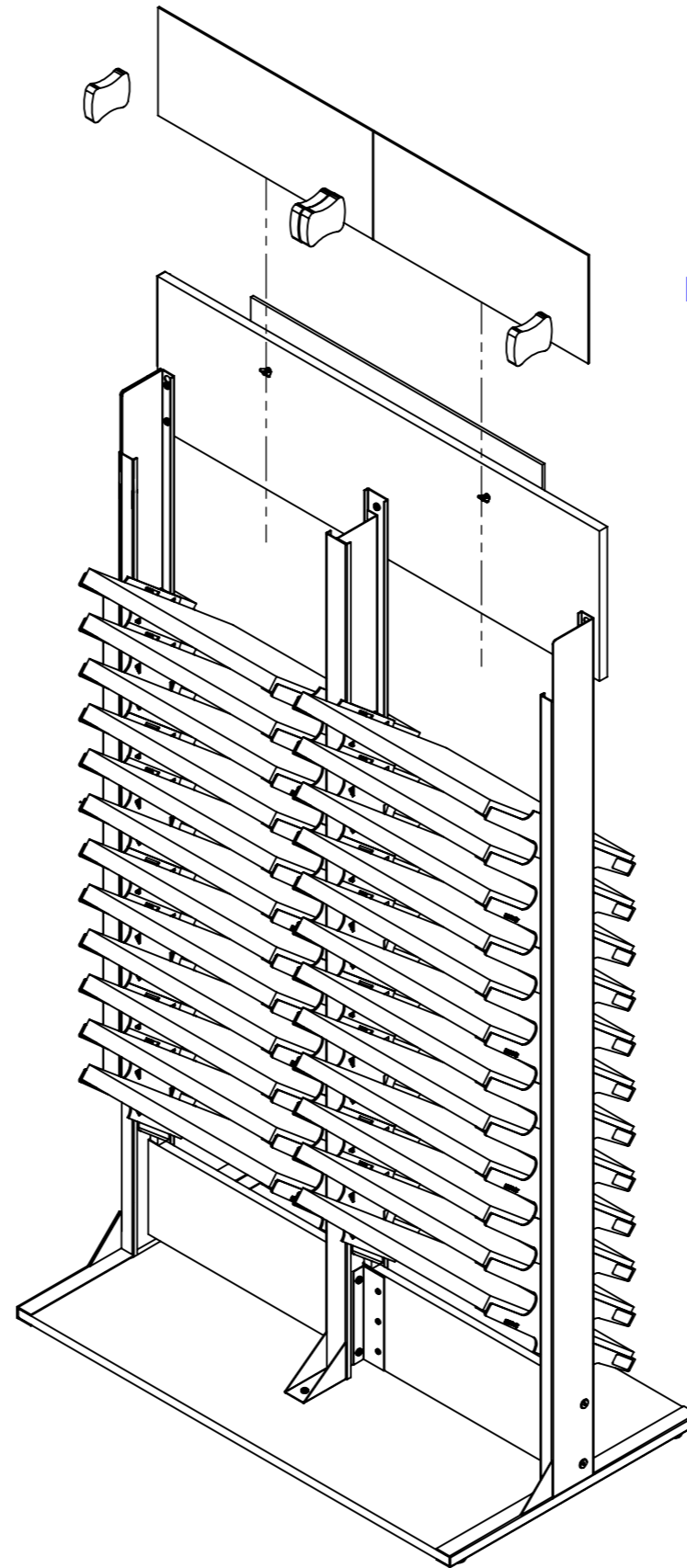
# Step 2



HEADER OVERLAY 1X

# Step 3

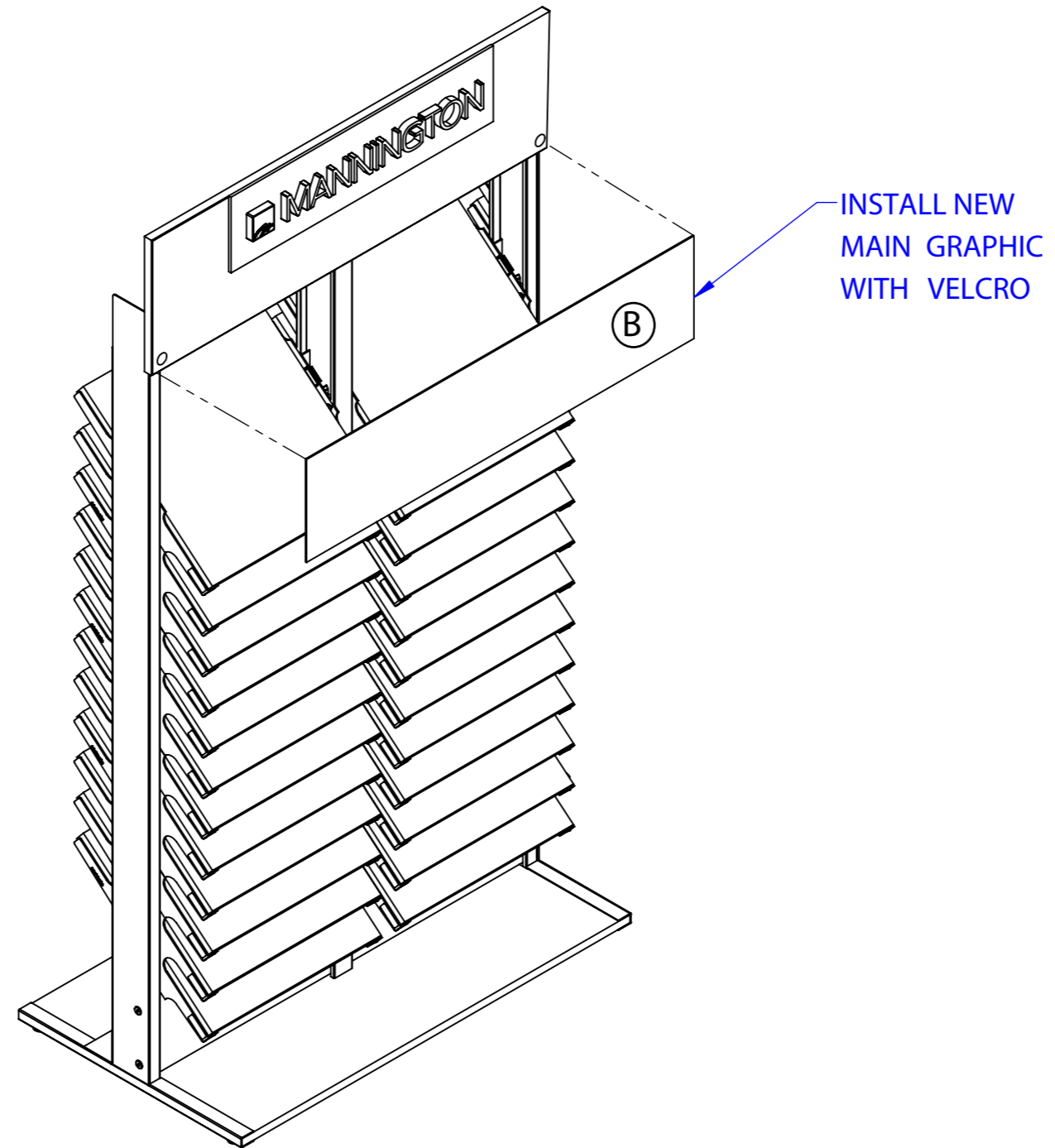
---



REMOVE EXISTING  
SUB HEADER

# Step 4

---



MAIN GRAPHIC 1X

# Step 5

POSITION AND ADHERE THE (8) VELCRO STRIPS TO THE OUTSIDE OF THE RAILS AS SHOWN IN THE VELCRO STRIP PLACEMENT DETAIL. REMOVE THE REMAINING PAPER BACKERS FROM THE VELCRO AND MOVE THE PANEL INTO POSITION. ONCE THE PANELS BACK EDGE TOUCHES THE DISPLAYS LEG FACES, STOP. FIRMLY PUSH ON THE SIDES OF THE PANEL TO ADHERE THE VELCRO STRIPS TO THE PANEL

