

Mannington Realta Smartrax Double Tower

ASSEMBLY INSTRUCTIONS

May 2020

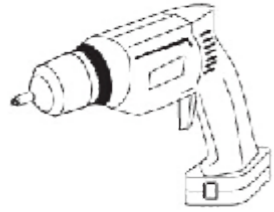
CARTON CONTENTS

Mannington Realta Smartrax Double Tower Parts List May, 2020

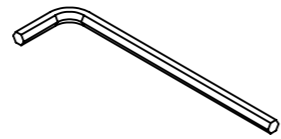
<u>Order Code</u>	<u>Material</u>	<u>Description (cartons in BOLD)</u>	<u>Carton Qty</u>	<u>Part Qty</u>
805170	456146	Realta 2-tier Display Components	1	
803160	313415	AMV Left Leg		1
803161	313416	AMV Right Leg		1
803162	313417	AMV Center Leg		1
803163	313418	AMV Center Leg Bracket		1
805179	456661	logo header - 2020 update		1
805180	456663	Realta Hardware Bag		1
n/a	n/a	Realta 2020 Instruction Sheet		1
805171	456147	Realta 2-tier base & header	1	
803165	313420	AMV Base Panel		1
803166	313421	AMV Brace		1
805181	456665	Realta Header Panel - Black		1
900395	348609	Adura Max Rails (4 sets)	2	
803170	313425	AMV Triple Rail Set (L+R) - Black		4
808707	447536	Realta SPC Graphics	1	
n/a	n/a	Realta sample area graphic		1
n/a	n/a	AMV Header overlay		1
n/a	n/a	Realta Subheader		1
n/a	n/a	hardware (velcro)		1
n/a	n/a	Instruction sheet		1

NOTE: Depending on final configuration of display, some of the above parts may have been substituted.

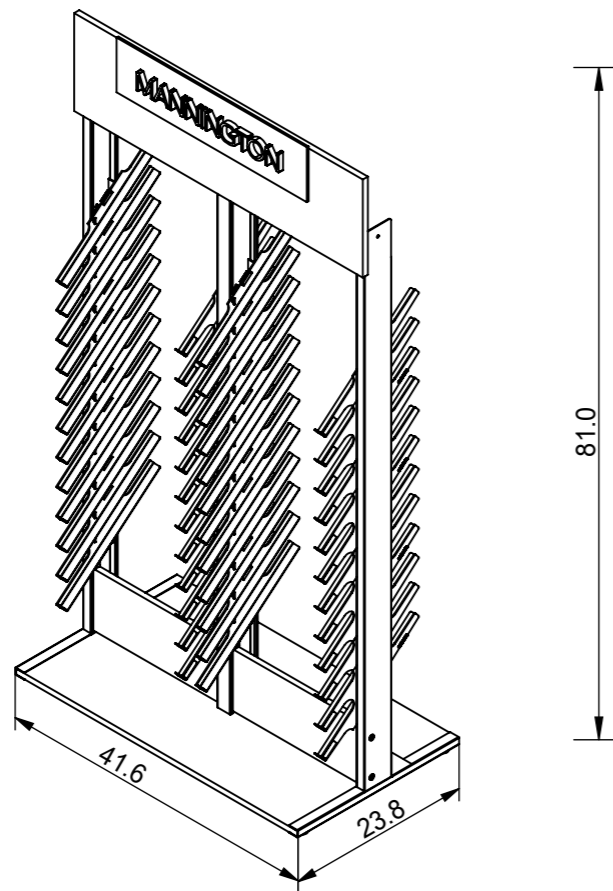
RECOMMENDED TOOLS



CORDLESS
POWER DRILL



4mm HEX KEY



Be sure to provide a minimum of 41.6" to install this display.
Display Foot Print: 41.6" x 23.8" x 81.0"



**HAND TIGHTEN ALL FASTENERS
DURING ASSEMBLY.**

**WHEN ASSEMBLY IS COMPLETED
USE APPROPRIATE TOOLS TO SECURE
ALL FASTENERS PERMANENTLY.**

SAFETY GUIDELINES

**Failure to follow the assembly instructions
could result in damage or injury.**

**Install in a level and stable location. If not on a
level surface please level before installation.**

**Assemble display in the area it will occupy.
Never attempt to move display after loading.**

**When using any power tools, always use
eye protection.**



**Do not work on this display with product in it.
Unload display before relocating unit.
Failure to do this may result in damage or injury.**



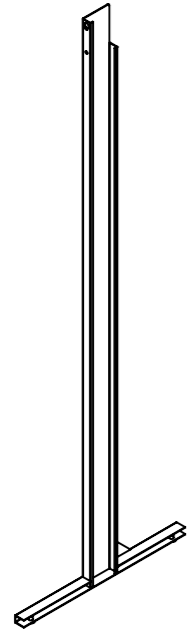
**For proper installation and safety follow all steps
in sequential order.**

Two people required to set up this display.

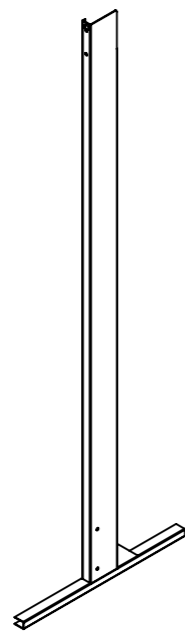


For customer assistance: POPServices@artguildinc.com
or call 877.233.7962 and ask for Mannington representative.

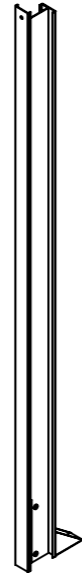
PARTS



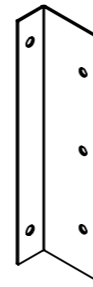
LEFT LEG
1x



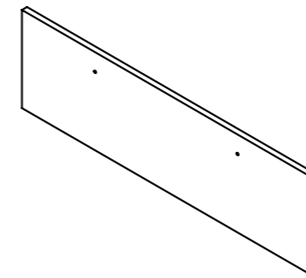
RIGHT LEG
1x



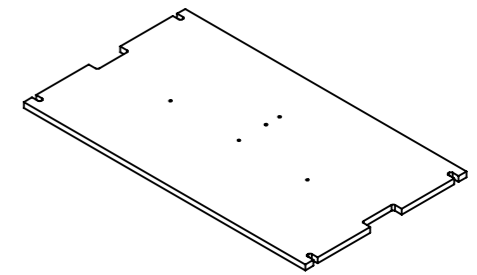
MID LEG
1x



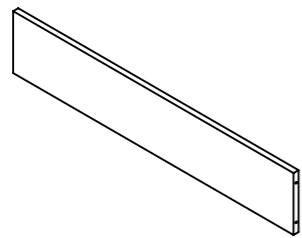
BRACKET
1x



HEADER
1x



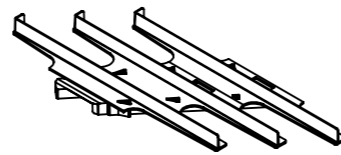
BASE
1x



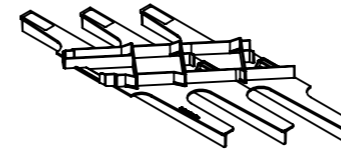
BRACE
1x



MANNINGTON
HEADER
1x



LEFT RAIL
8x

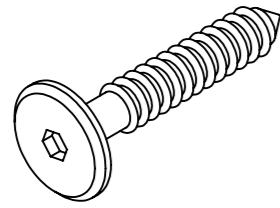


RIGHT RAIL
8x



For customer assistance: POPServices@artguildinc.com
or call 877.233.7962 and ask for Mannington representative.

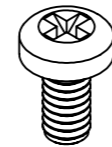
HARDWARE



DECO WOOD
SCREW
4x



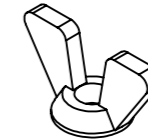
#10x58 PH-PH
3x



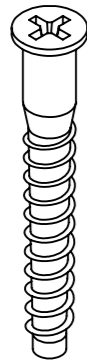
0.5in BOLT
9x



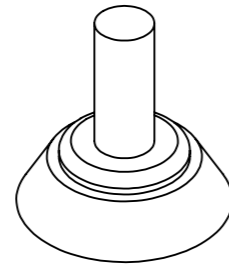
25-20 X 2.00 STUD
2x



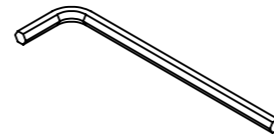
WING NUT
2x



CONFRAM
AT SCREW
3x



LEVELER
4x

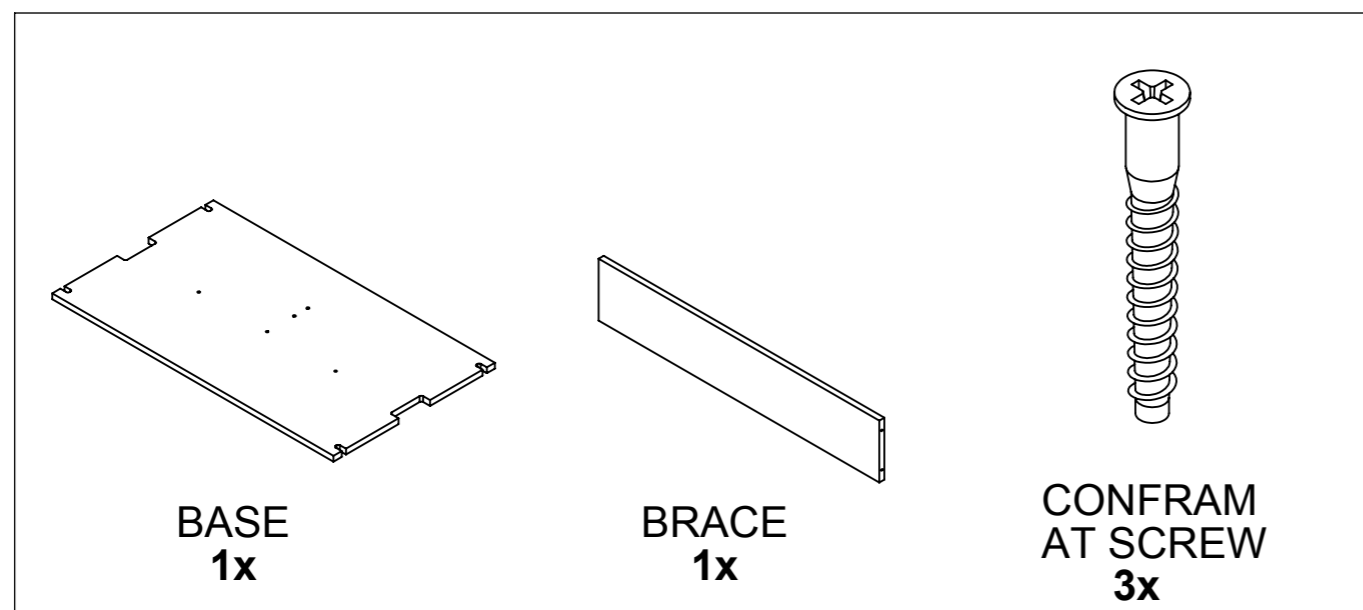
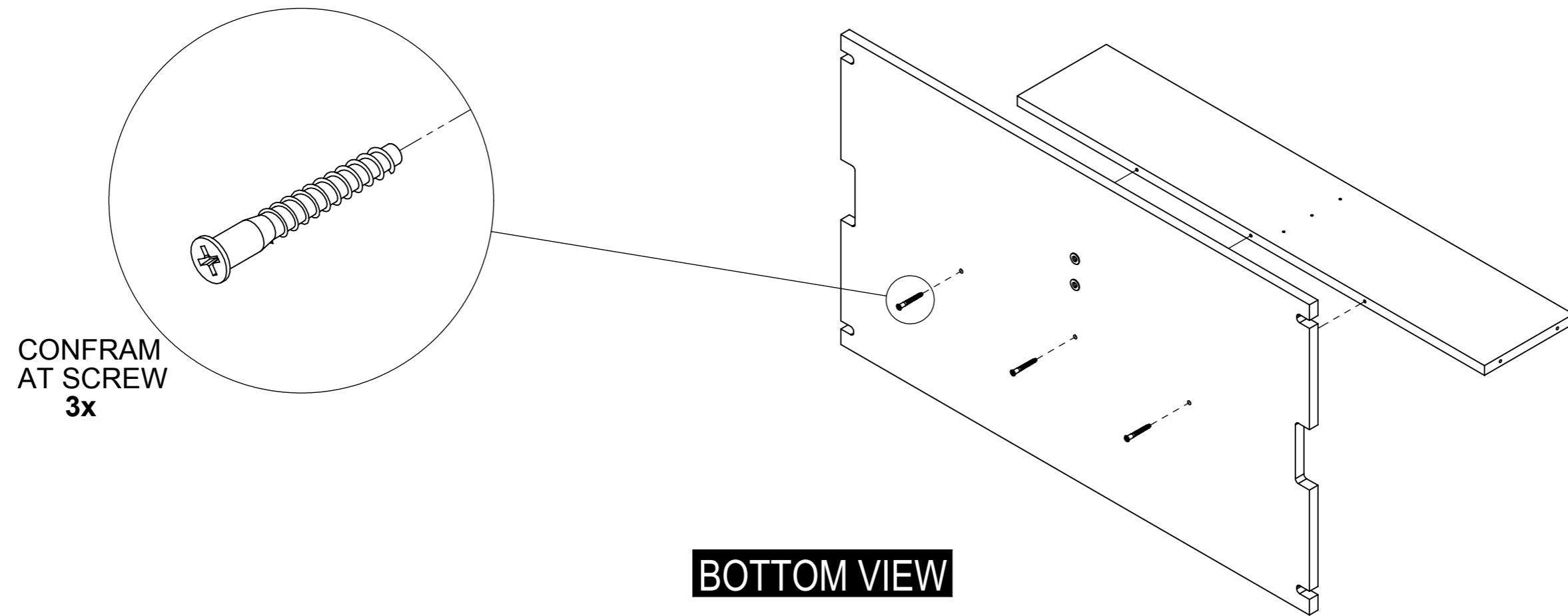


4mm HEX KEY
1x

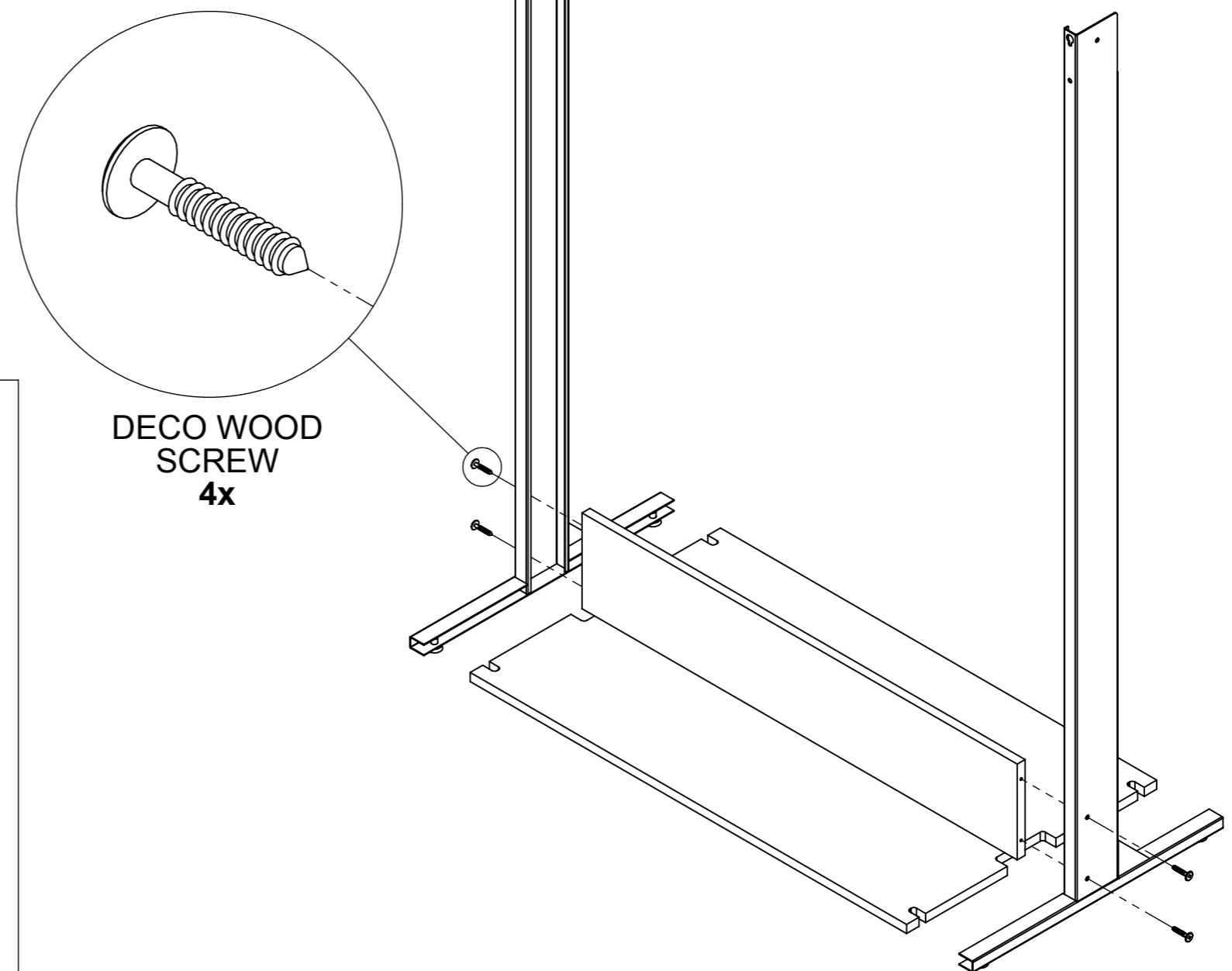
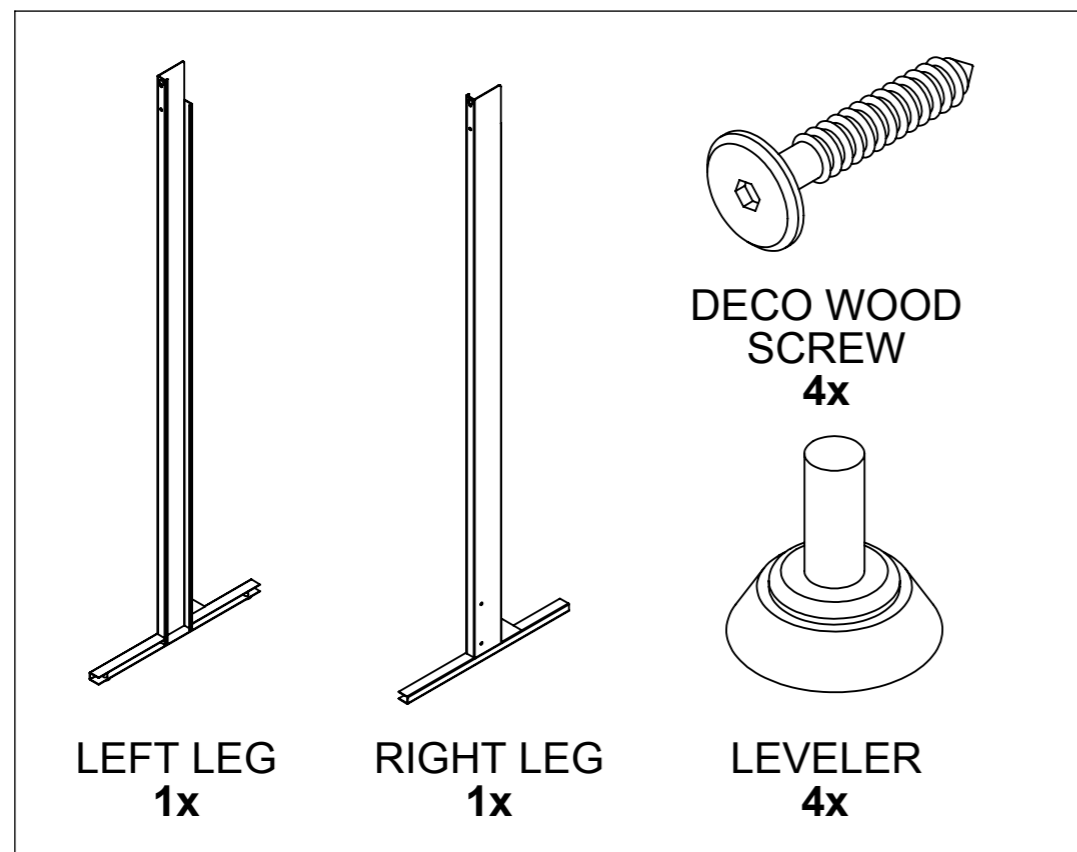
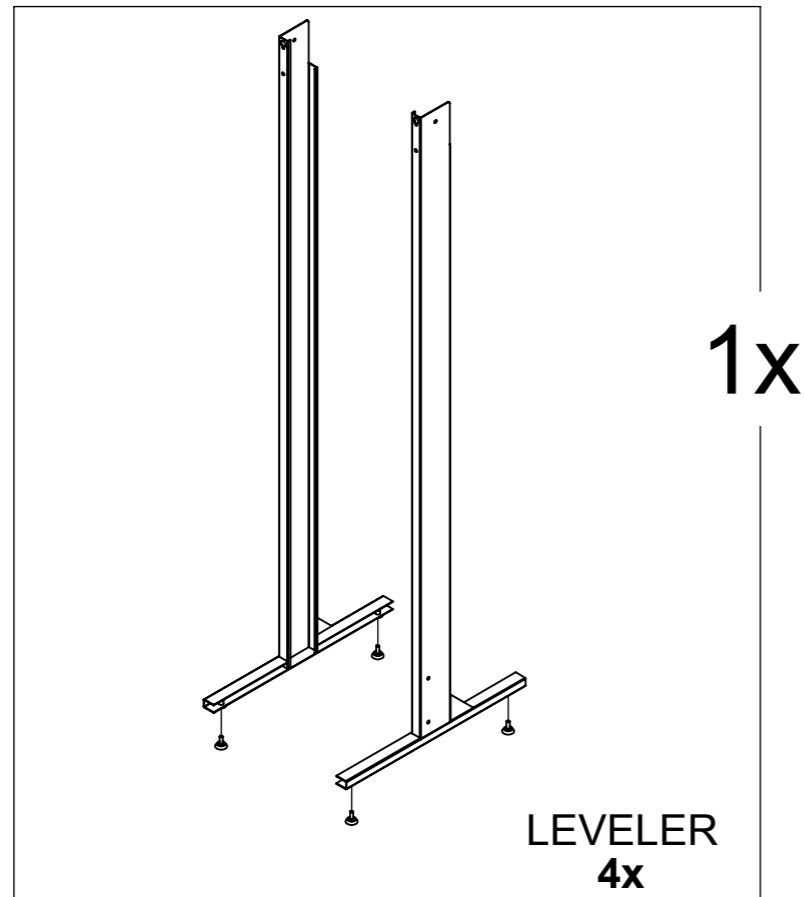


For customer assistance: POPServices@artguildinc.com
or call 877.233.7962 and ask for Mannington representative.

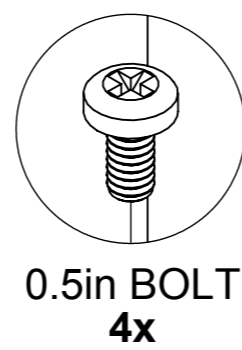
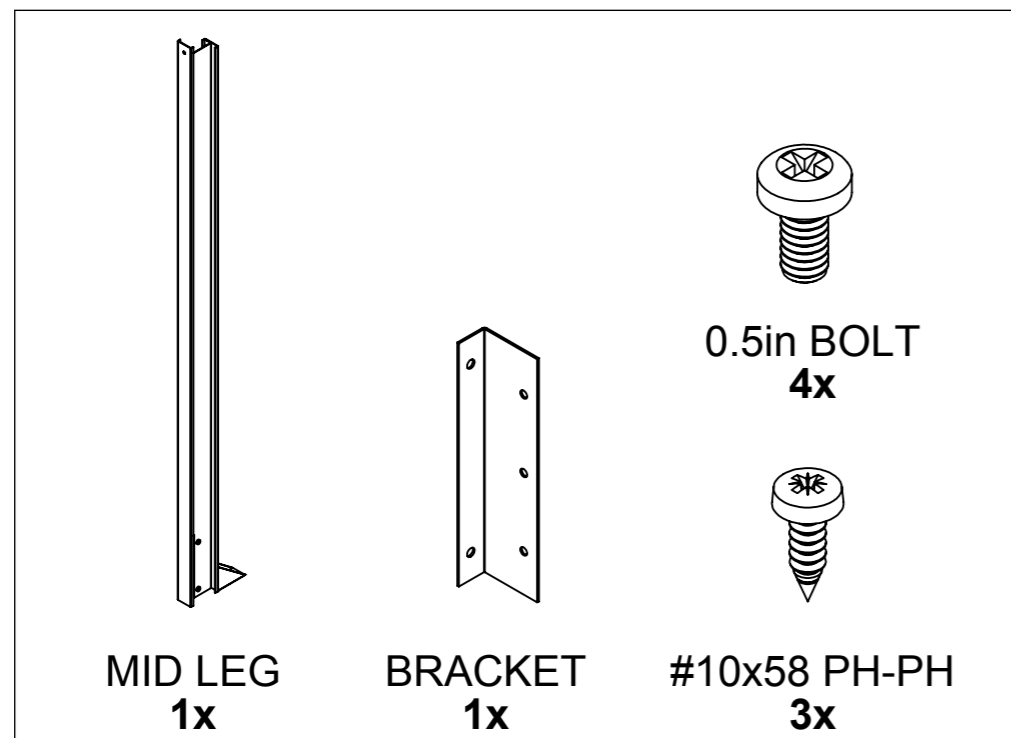
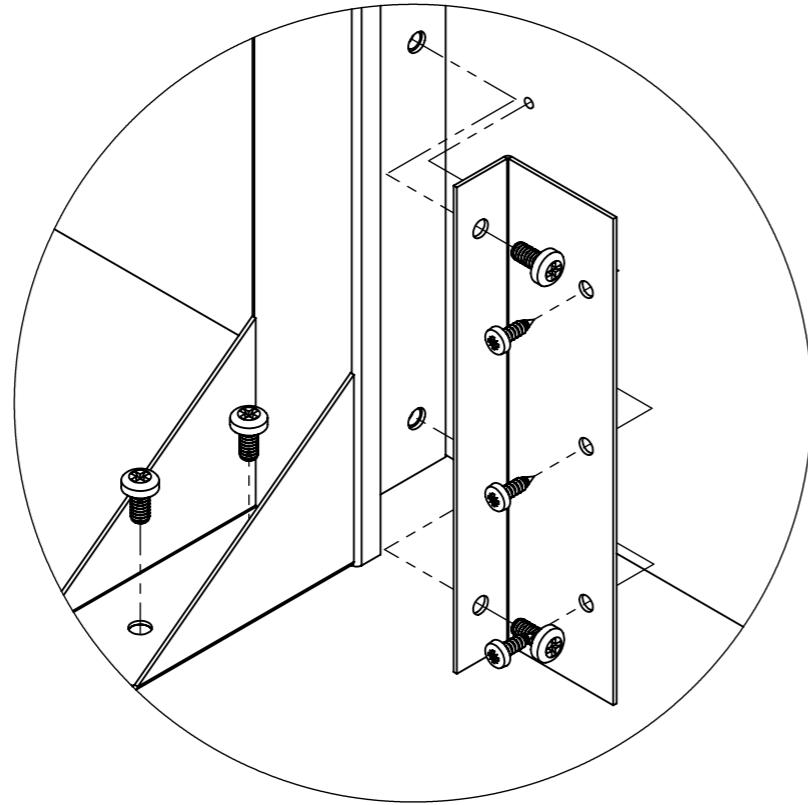
Step 1



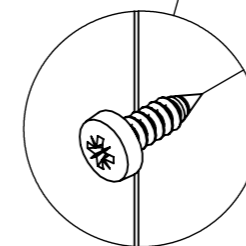
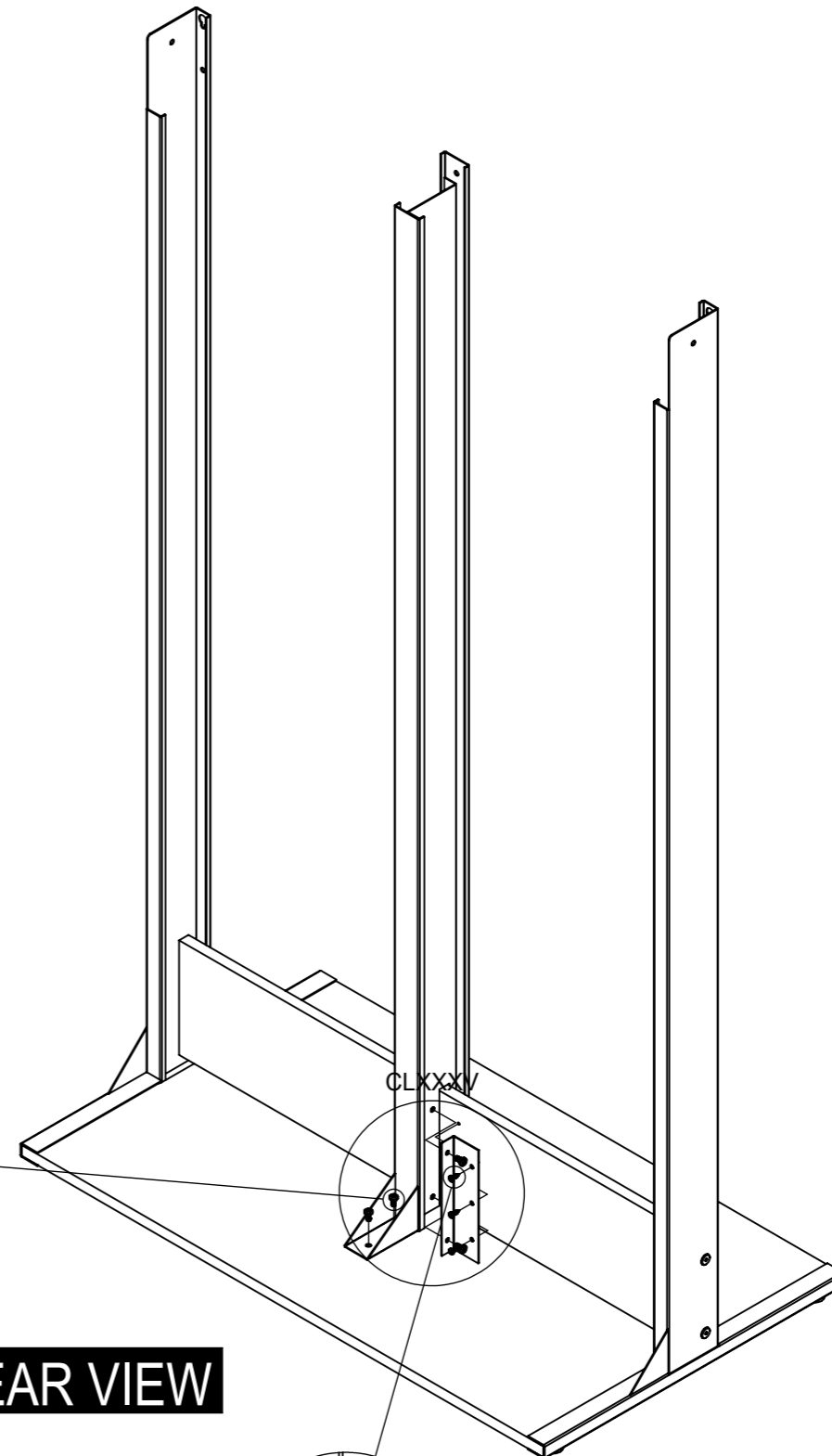
Step 2



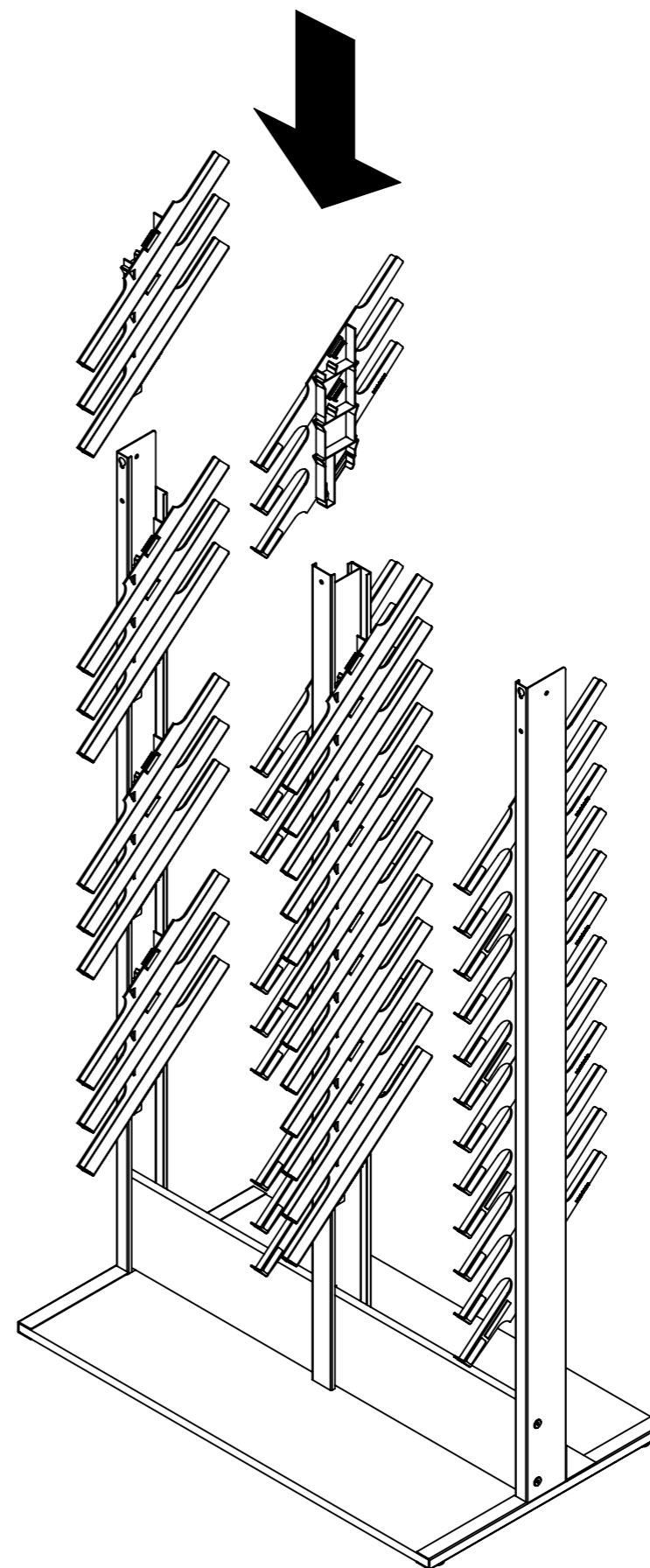
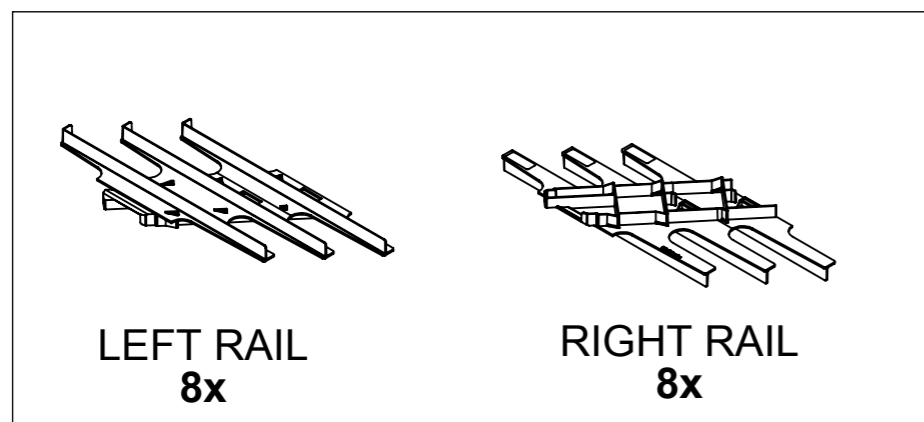
Step 3



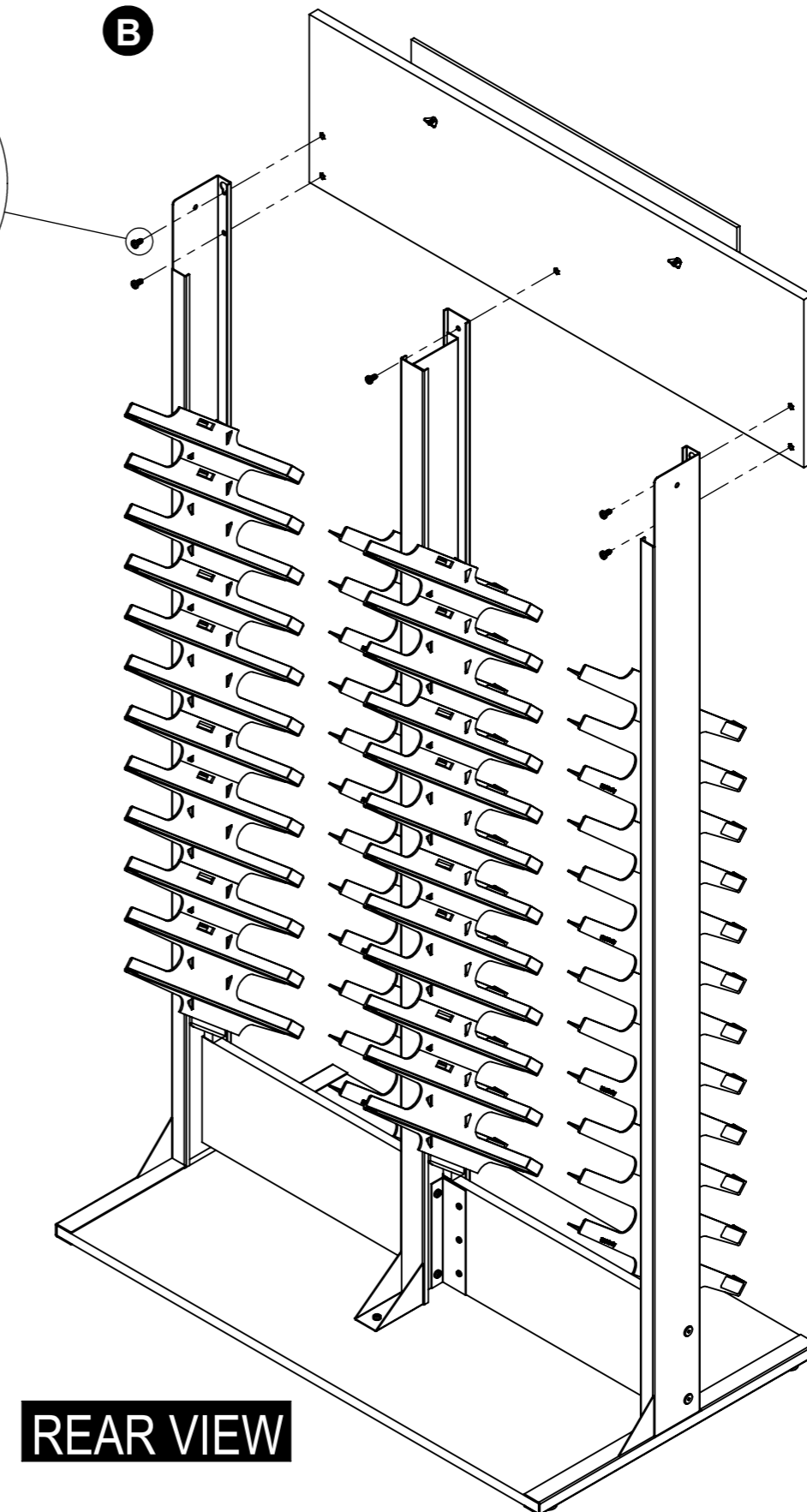
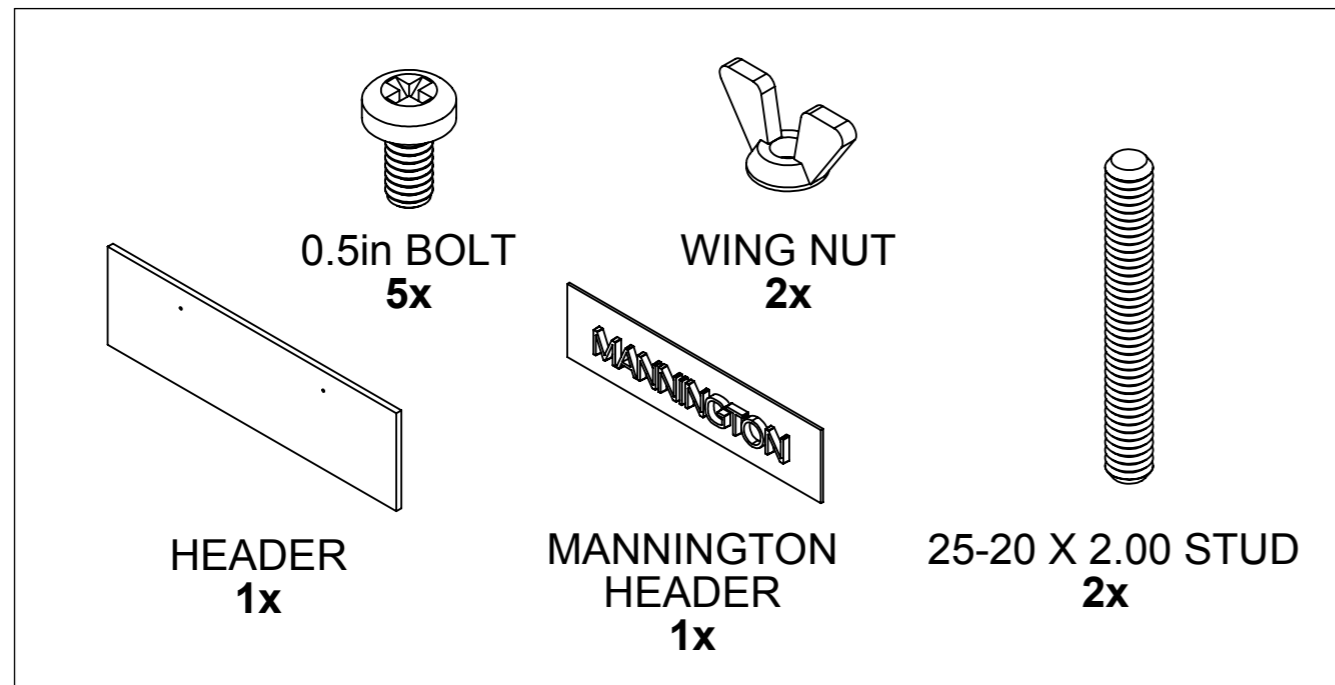
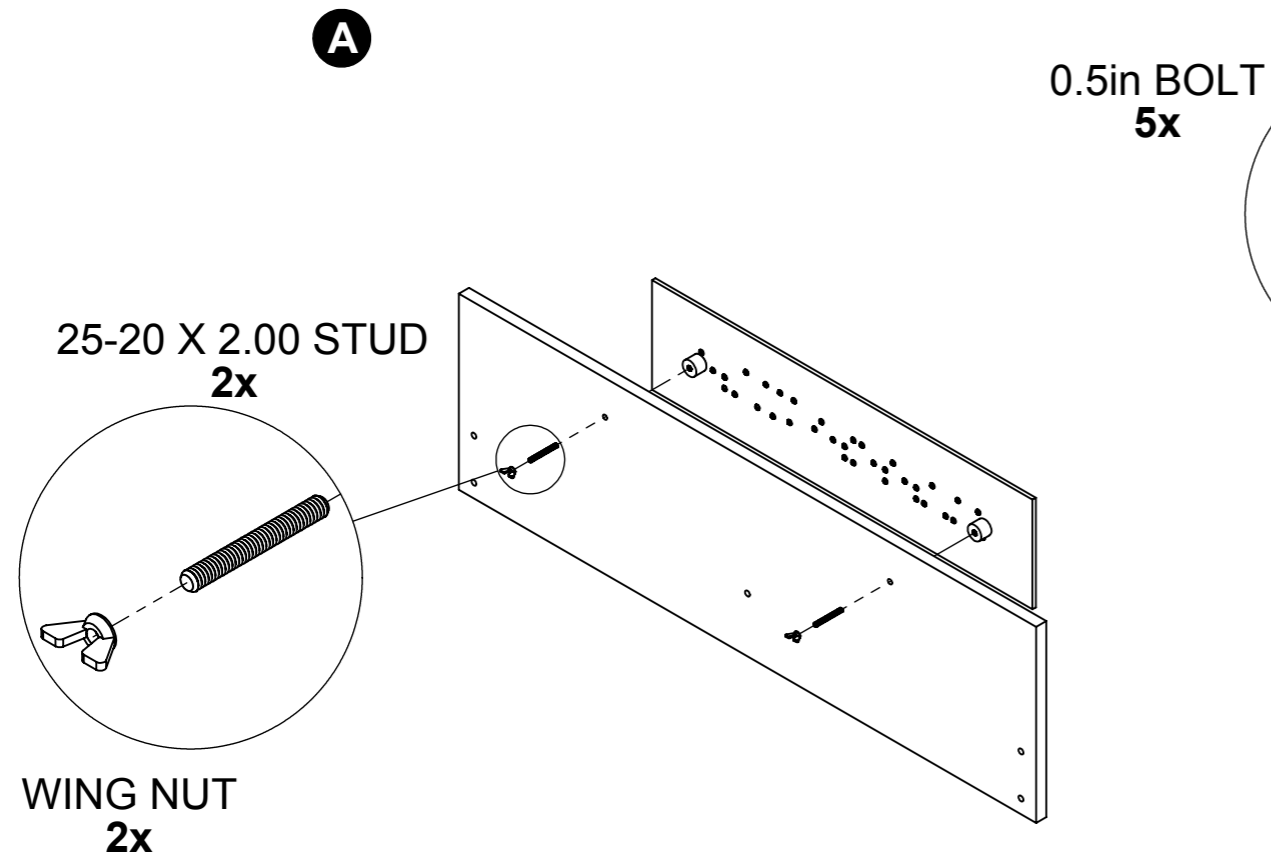
REAR VIEW



Step 4



Step 5



CONGRATULATIONS YOU HAVE SUCCESSFULLY ASSEMBLED THE Mannington Realta Smartrax Double Tower

For graphic placement & installation, please follow instructions included in SAP 447536. Note that for this version of display, you will not need to install the header overlay.

NEVER MOVE LOADED DISPLAY

MAKE SURE ALL FASTENERS ARE TIGHTENED