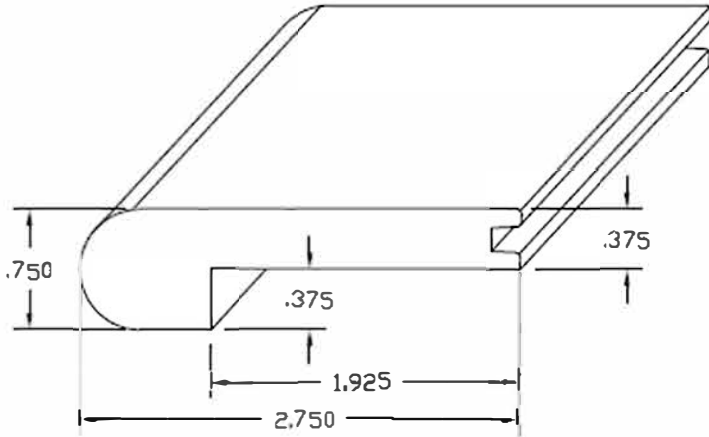
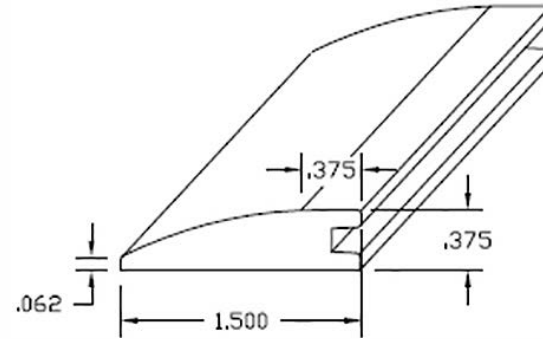


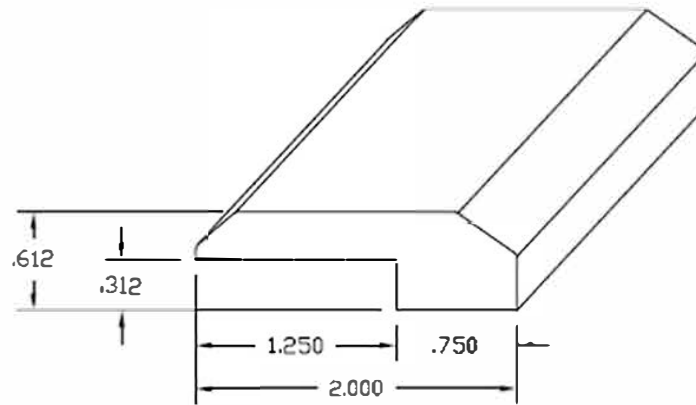
3/8" Profiles



3/8" STAIRNOSE

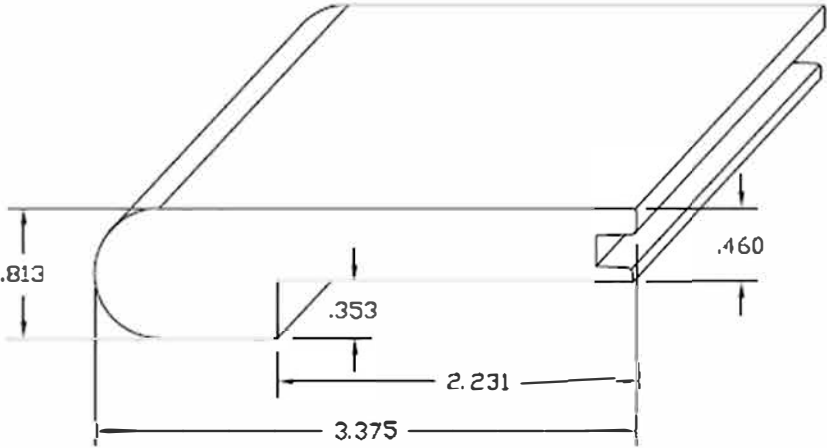


3/8" REDUCER

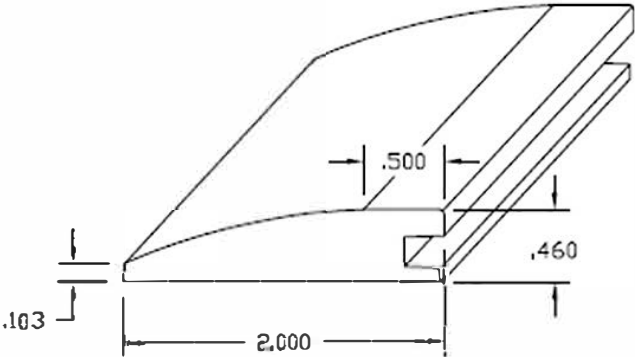


3/8" BABY THRESHOLD

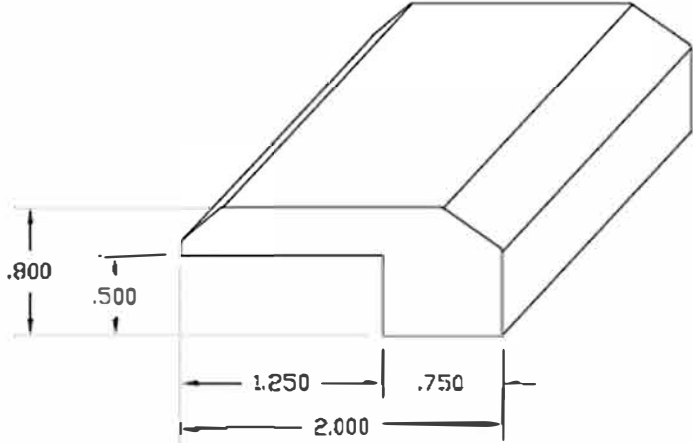
1/2" Profiles



1/2" STAIRNOSE

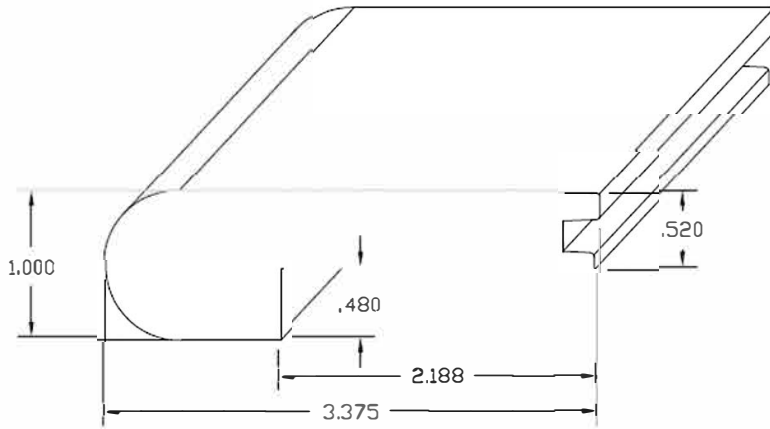


1/2" REDUCER

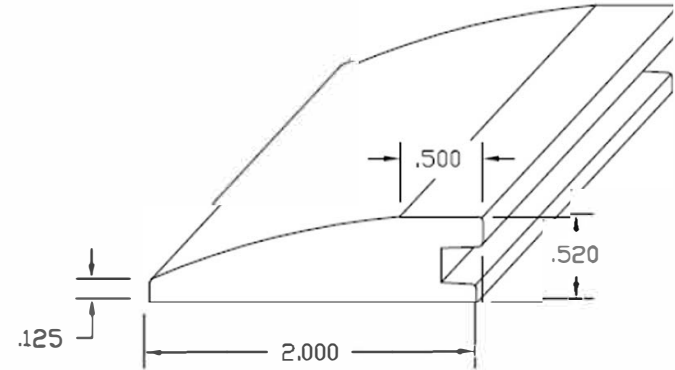


1/2" & 9/16" THRESHOLD

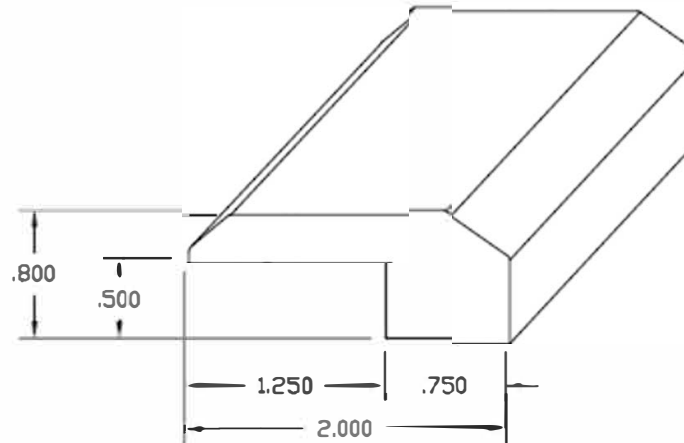
9/16" Profiles



9/16" STAIRNOSE

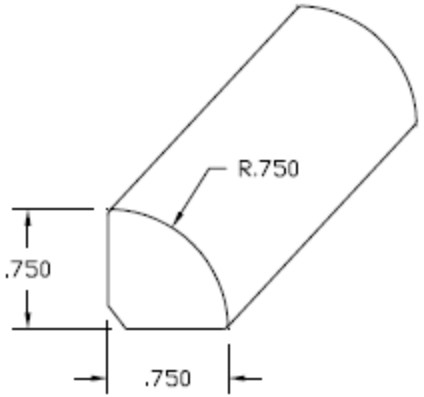


9/16" REDUCER
Profile # 640

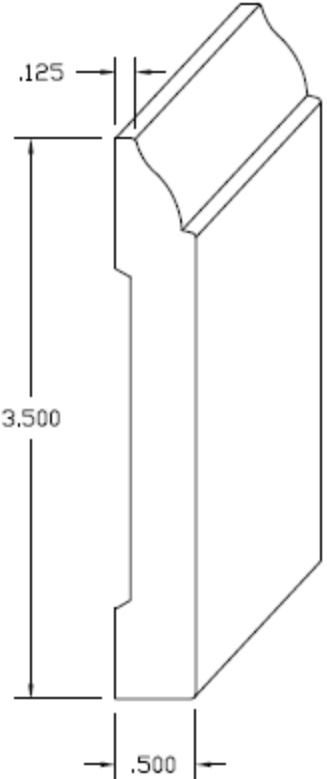


1/2" & 9/16" THRESHOLD

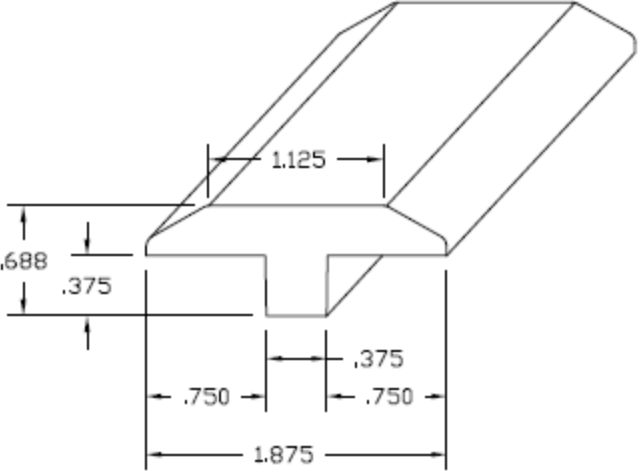
Non Profile Dependent Drawings



QUARTER ROUND
Profile # 45



WALL BASE
Profile # 632



T-MOLDING