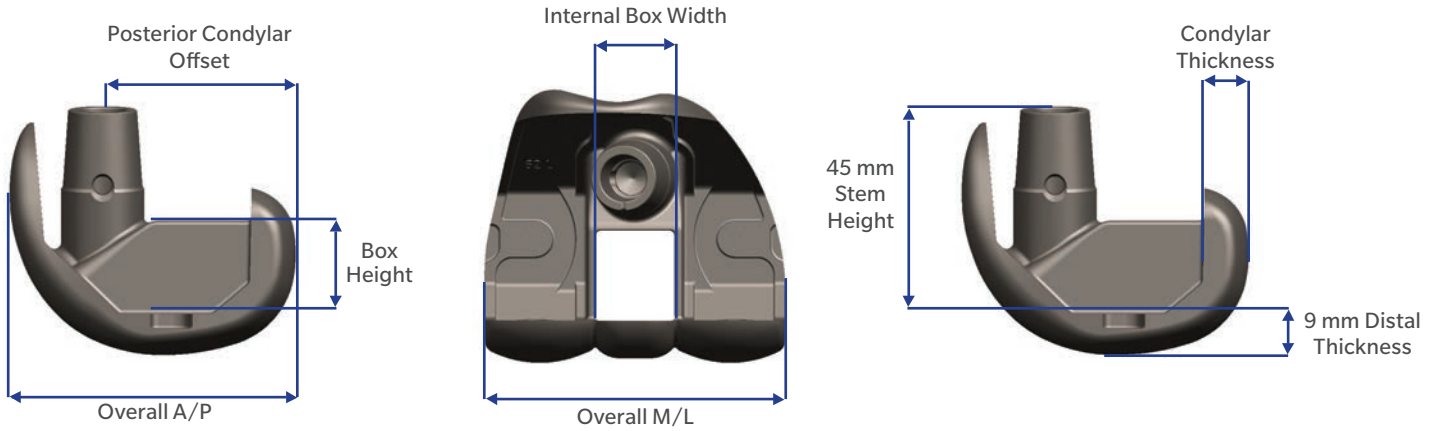


Persona[®] REVISION KNEE SYSTEM

Implant Specifications



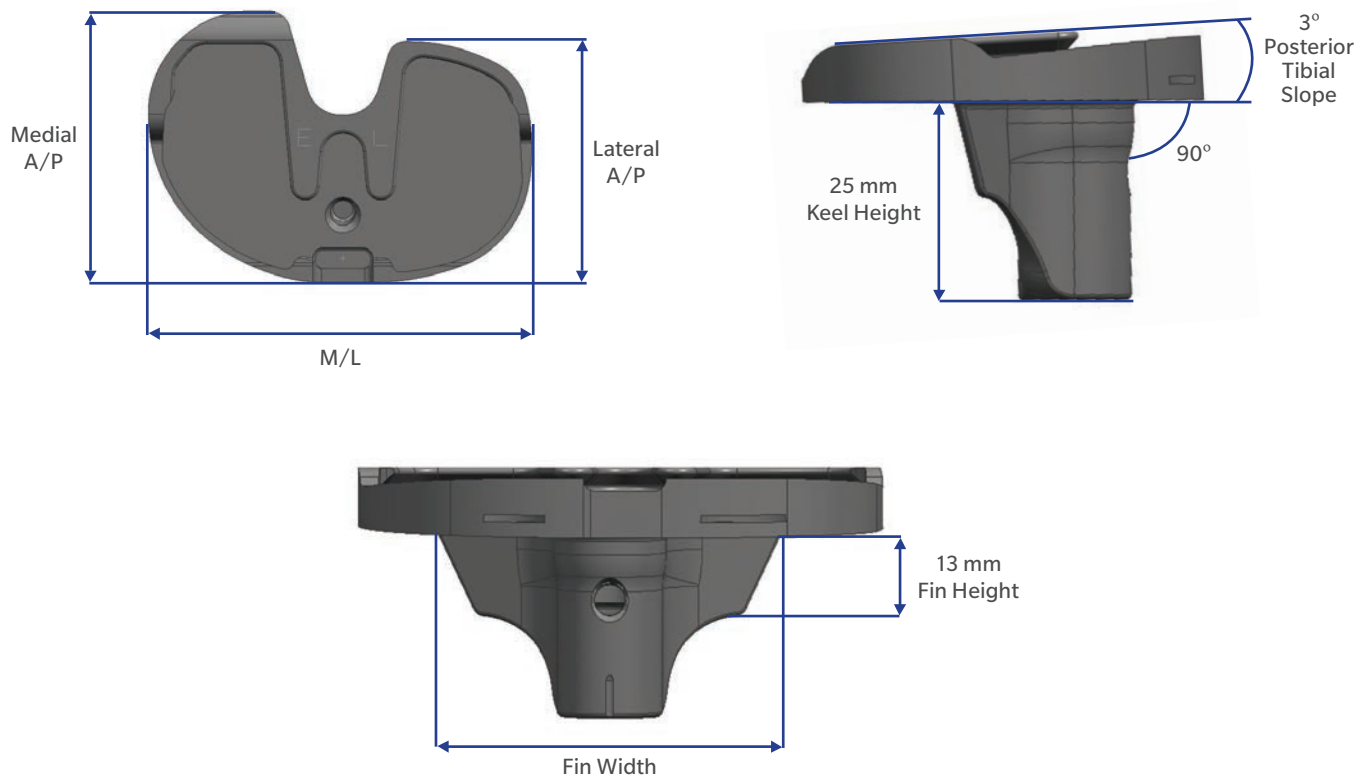
Femoral Dimensions



Note: Femoral stem housing is at a 6° valgus angle

Femoral Dimensions (mm)						
Size	Posterior Condylar Offset	Box Height	Overall A/P	Internal Box Width	Overall M/L	Condylar Thickness
1	33.5	18.2	49.9	14.1	59.0	10.0
1+	36.5	18.2	53.2	14.1	59.0	13.0
3	36.5	20.4	54.2	17.0	62.5	10.0
3+	39.5	20.4	57.2	17.0	62.5	13.0
5	39.5	20.4	58.7	17.0	66.0	10.0
5+	42.5	20.4	61.7	17.0	66.0	13.0
7	42.5	20.4	63.0	18.1	69.5	10.0
7+	45.5	20.4	66.0	18.1	69.5	13.0
9	45.5	20.4	67.1	18.1	73.0	10.0
9+	48.5	20.4	70.1	18.1	73.0	13.0
11	48.5	22.9	71.5	21.5	76.5	10.0
11+	51.5	22.9	74.5	21.5	76.5	13.0
13	51.5	22.9	75.6	21.5	80.0	10.0

Tibial Baseplate Dimensions

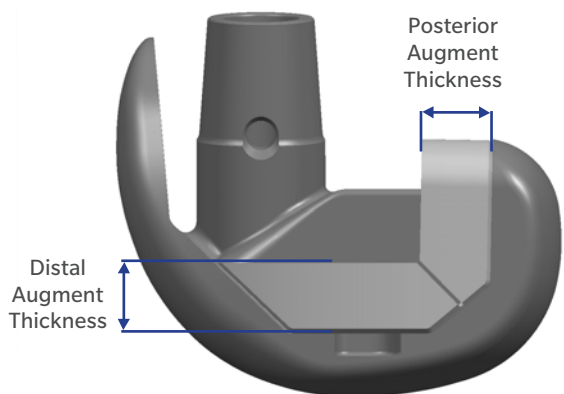


ⓘ **Note:** Persona Revision tibial cut is intended to be at 0 degree cut slope

Tibial Baseplate Dimensions (mm)				
Size	Medial A/P	M/L	Lateral A/P	Fin Width
A	40.2	57.7	35.1	39.0
B	42.5	60.8	37.2	39.0
C	44.9	63.8	39.5	47.0
D	47.2	67.0	41.8	47.0
E	50.2	71.0	44.6	47.0
F	53.3	75.1	47.4	47.0
G	56.5	79.0	50.2	55.0
H	59.8	83.0	53.3	55.0
J	63.5	88.1	56.7	55.0

Femoral and Tibial Augment Dimensions

Femoral Augments



Tibial Augments



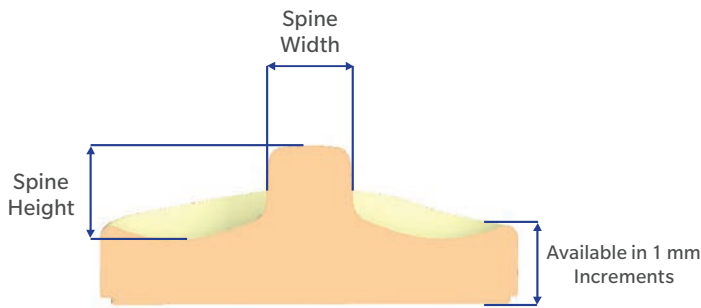
Note: Femoral and tibial augments are available in Trabecular Metal™ Material and Tivanium® Alloy

Posterior and Distal Femoral Augment Dimensions (mm)		
Femoral Size	Posterior Augment Thickness	Distal Augment Thickness
1/1+	5, 10	5, 10
3/3+	5, 10	5, 10
5/5+	5,10,15	5,10,15
7/7+	5,10,15	5,10,15
9/9+	5,10,15	5,10,15
11/11+	5,10,15	5,10,15
13	5,10,15	5,10,15

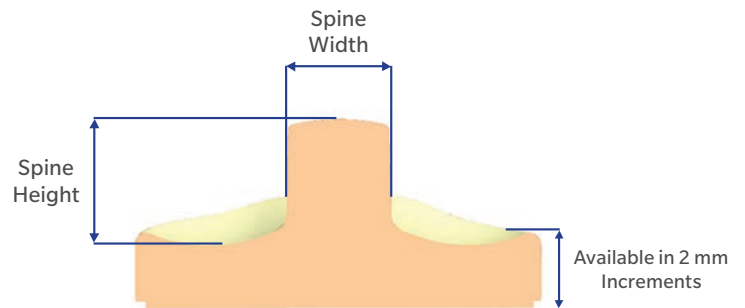
Medial and Lateral Tibial Augment Dimensions (mm)		
Tibial Size	Medial Augment Thickness	Lateral Augment Thickness
AB	5,10,15	5,10,15
CD	5,10,15	5,10,15
EF	5,10,15	5,10,15
GH	5,10,15	5,10,15
J	5,10,15	5,10,15

Bearing Dimensions

Posterior Stabilized (PS) Bearing



Constrained Posterior Stabilized (CPS) Bearing



Bearing Material and Thickness		
	PS	CPS
Material	Conventional Polythene and Vivacit-E® Vitamin-E Highly Crosslinked Polyethylene	Vivacit-E Vitamin-E Highly Crosslinked Polyethylene
Thickness	10 mm-20 mm	10 mm-20 mm
Increment	1 mm*	2 mm

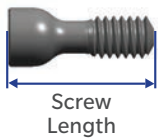
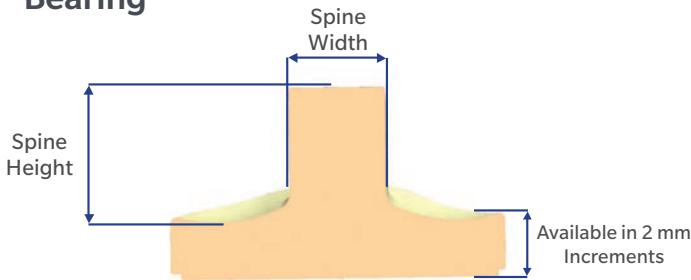
Varus/Valgus Constraint	
PS	CPS
Soft Tissue Dependent	±1.5°
Internal/External Rotation Constraint	
PS	CPS
Soft Tissue Dependent	±5.5°

Bearing Dimensions (mm)				
Size	Spine Height	Spine Width	Spine Height	Spine Width
	PS		CPS	
1-1+/AB	15.8	11.6	20.0	13.8
1-1+/CD	15.8	11.6	20.0	13.8
3-5+/AB	16.7	14.0	21.1	16.7
3-5+/CD	16.7	14.0	21.1	16.7
7-9+/CD	16.7	15.0	21.6	17.8
3-5+/EF	16.7	14.0	21.1	16.7
7-9+/EF	16.7	15.0	21.6	17.8
10-11+/EF	20.7	17.8	25.5	21.2
7-9+/GH	16.7	15.0	21.6	17.8
10-13/GH	20.7	17.8	25.5	21.2
10-13/J	20.7	17.8	25.5	21.2

ⓘ **Note:** *PS bearings have 1 mm increments for sizes 10-14 mm and 2 mm increments for sizes 16-20 mm

Bearing Dimensions (cont.)

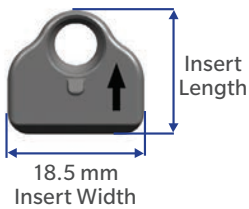
Constrained Condylar Knee (CCK) Bearing



Lockdown Screw Lengths (mm)		
Size	Compatible Tibial Size	Length
Small	A, B	16.1
Large	C, D, E, F, G, H, J	19.2

Note: Lockdown Screws and Inserts are only for CCK Bearings

Varus/Valgus Constraint
±0.5°
Internal/External Rotation Constraint
±1.0°



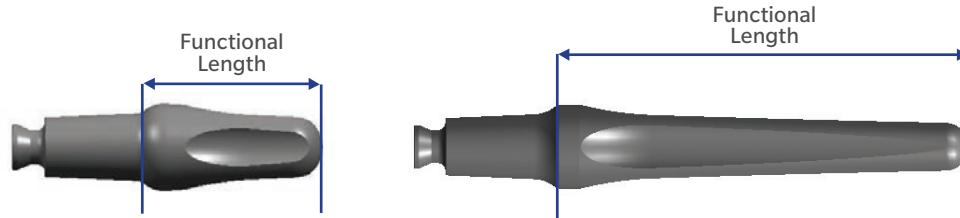
Bearing Insert (mm)	
Size	Insert Length
A/B	15.6
C/D/E/F	16.8
G/H	18.0
J	23.5

Bearing Material and Thickness	
Material	Vivacit-E Vitamin-E Highly Crosslinked Polyethylene
Thickness	10 mm-26 mm
Increment	2 mm

Bearing Dimensions (mm)		
Size	Spine Height	Spine Width
CCK		
1-1+/AB	23.9	14.0
1-1+/CD	23.9	14.0
3-5+/AB	26.7	16.9
3-5+/CD	26.7	16.9
7-9+/CD	26.7	18.0
3-5+/EF	26.7	16.9
7-9+/EF	26.7	18.0
10-11+/EF	28.9	21.4
7-9+/GH	26.7	18.0
10-13/GH	28.9	21.4
10-13/J	28.9	21.4

Stem Dimensions

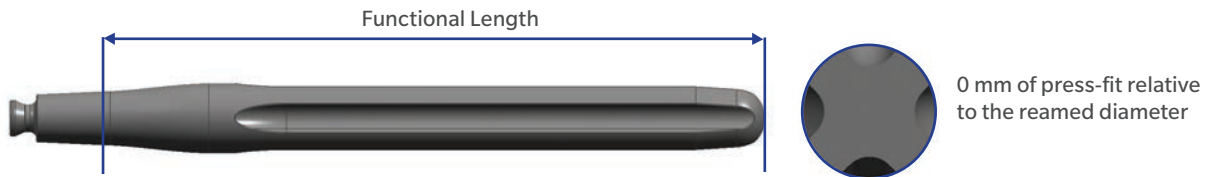
Smooth Tapered Stems



Cemented Stem Dimensions	
Available in 11 mm and 14 mm Diameters	Functional Length (mm)
+30 mm Smooth Tapered Stem	30.0
+75 mm Smooth Tapered Stem	75.0

⊖ **Note:** + in addition to stem housing

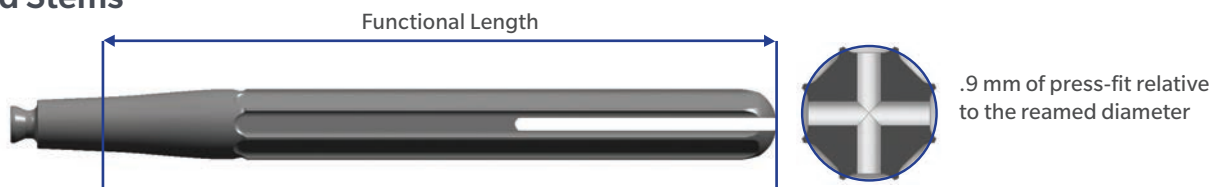
Straight Smooth Stems



Cemented Stem Dimensions	
Available in 2 mm Increments (10-24 mm)	Functional Length (mm)
+135 mm Straight Smooth Stem	135.0
+175 mm Straight Smooth Stem	175.0

⊖ **Note:** + in addition to stem housing

Straight Splined Stems

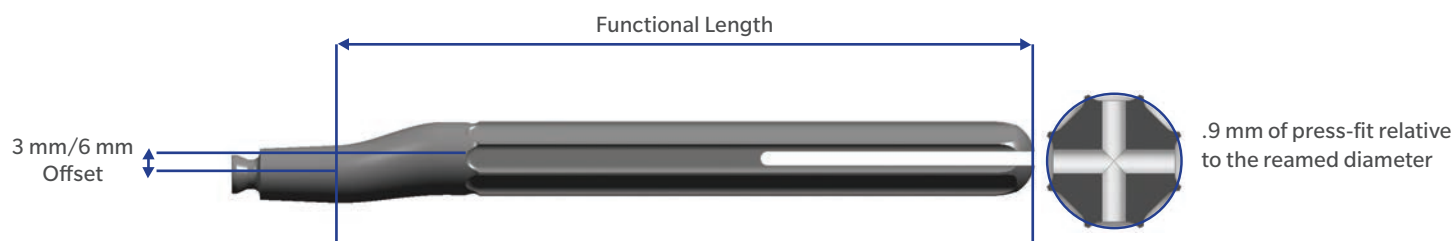


Press-Fit Stem Dimensions	
Available in 1 mm Increments (10-18 mm) and 2 mm Increments (20-24 mm)	Functional Length (mm)
+135 mm Straight Splined Stem	135.0
+175 mm Straight Splined Stem	175.0

⊖ **Note:** + in addition to stem housing

Stem Dimensions (cont.)

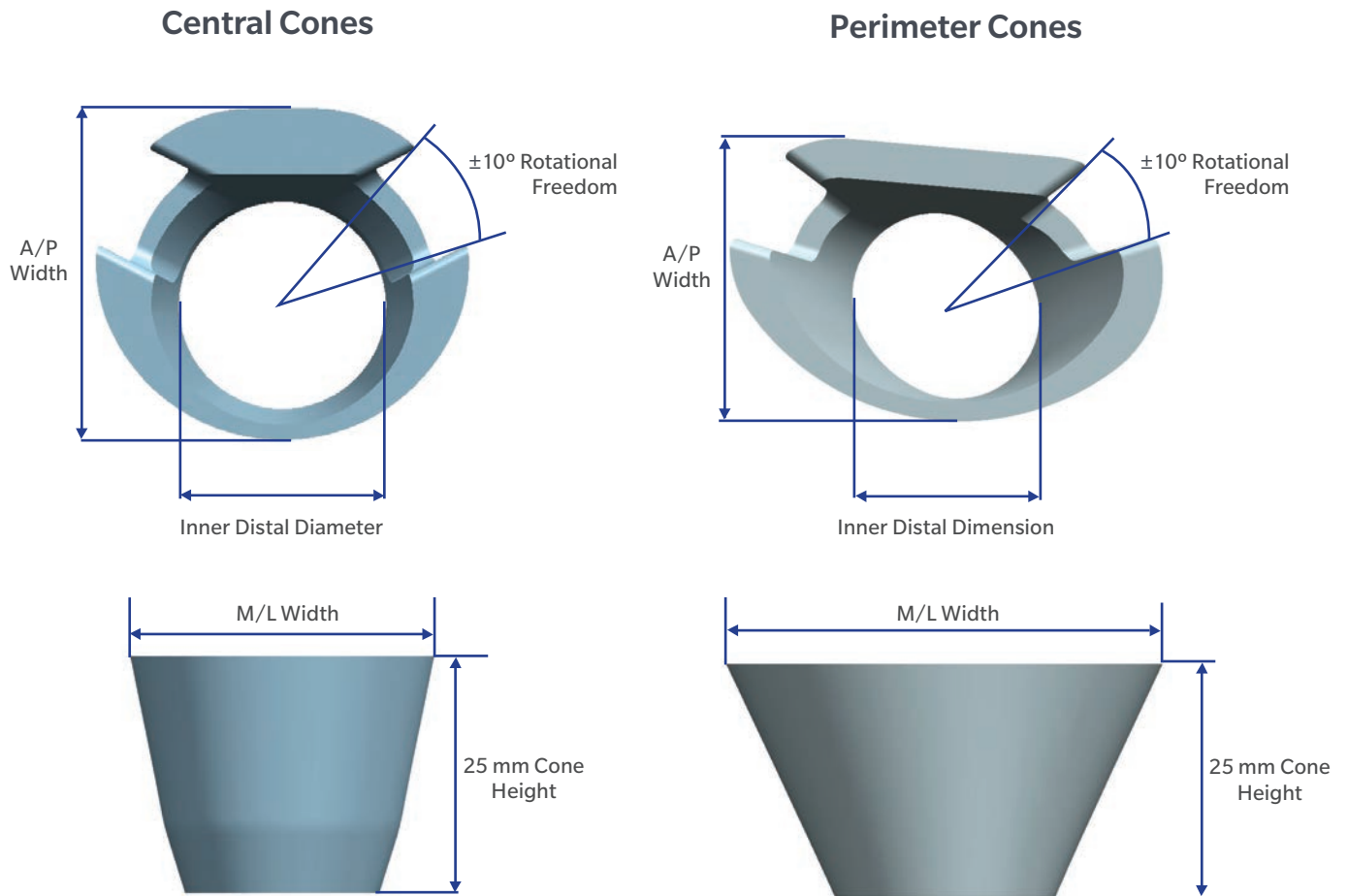
Offset Splined Stems



Press-Fit Stem Dimensions	
Available in 1 mm Increments (10-18 mm) and 2 mm Increments (20-24 mm)	Functional Length (mm)
+135 mm Offset Splined Stem	135.0
+175 mm Offset Splined Stem	175.0

⊖ **Note:** + in addition to stem housing

Trabecular Metal Tibial Cone Dimensions



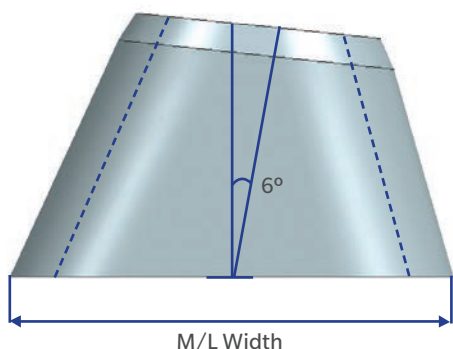
Trabecular Metal Tibial Central Cone Dimensions (mm)			
Size	A/P Width	M/L Width	Inner Distal Diameter
FIX TIB	29.0	29.0	18.5
XSM	31.0	32.0	20.0
SM	32.0	36.0	20.0
MED	33.0	42.0	20.0
LRG	34.0	48.0	20.0

Trabecular Metal Tibial Perimeter Cone Dimensions (mm)			
Size	A/P Width	M/L Width	Inner Distal Dimension
FIX TIB	33.8	49.0	21.0
SM	35.9	55.0	23.8
MED	37.9	61.0	25.5
LRG	39.0	68.0	25.5

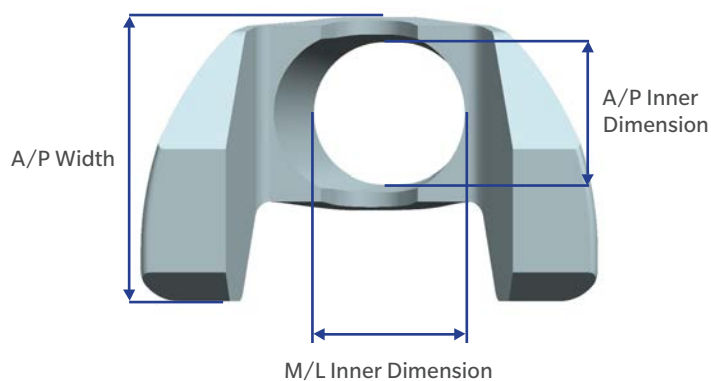
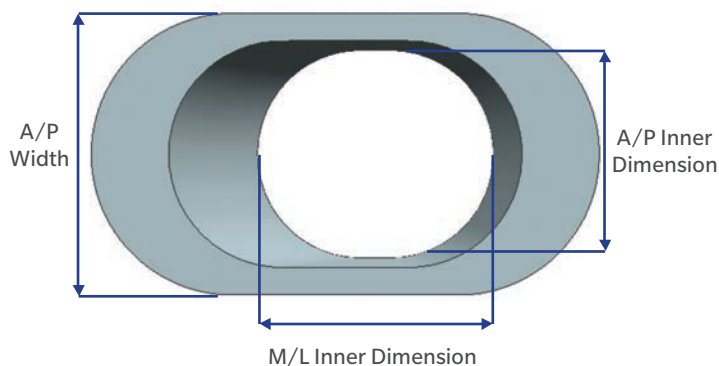
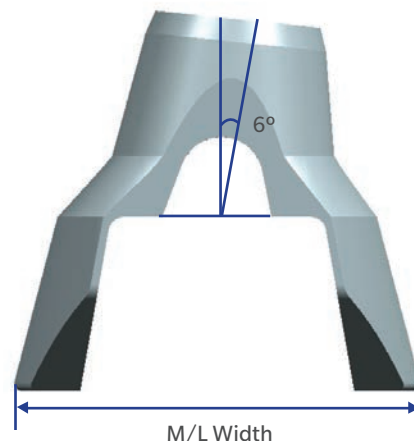
Note: Reference the Compatibility Charts section beginning on page 13 to determine stem/cone compatibility

Trabecular Metal Femoral Cone Dimensions

Central Cones



Metaphyseal Cones

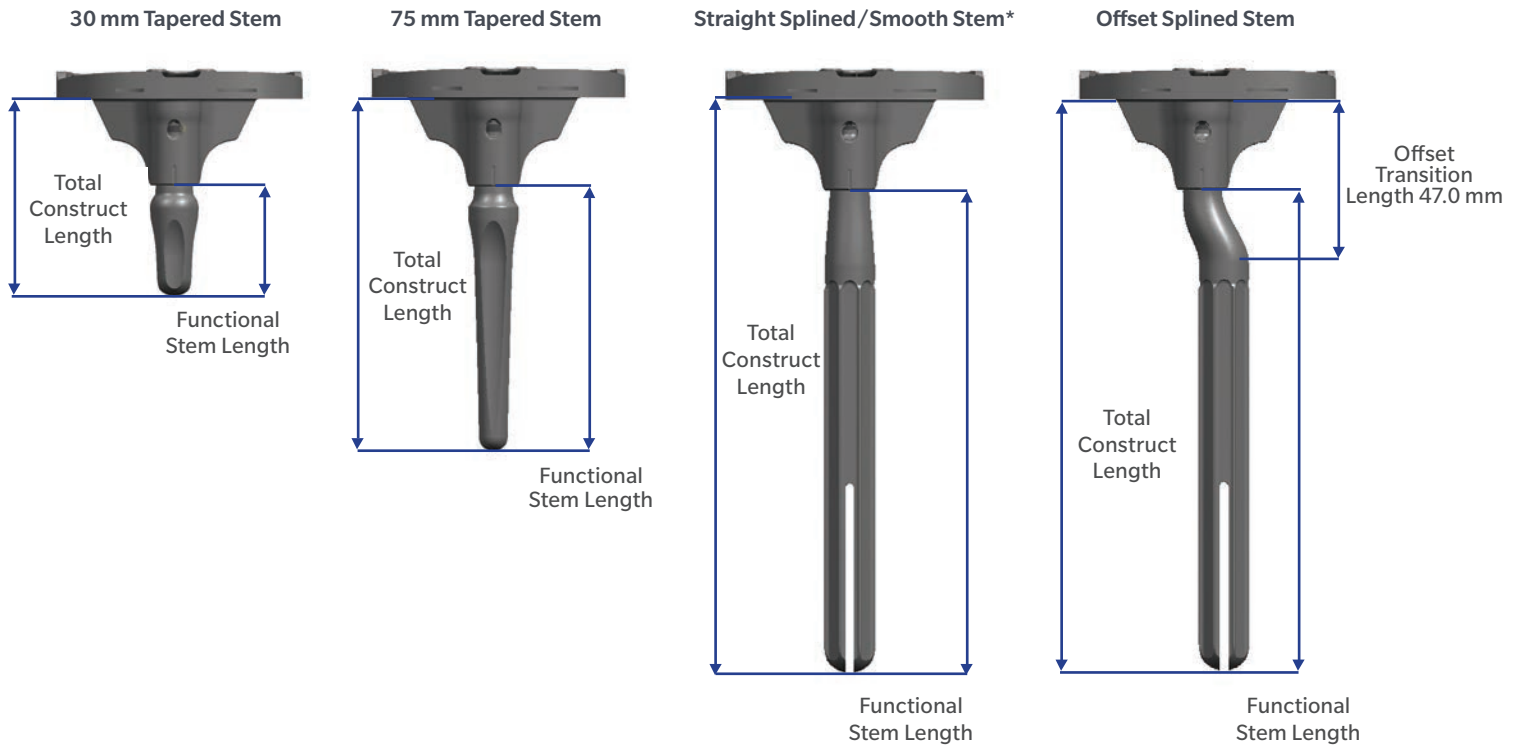


Trabecular Metal Femoral Central Cone Dimensions (mm)				
Size	M/L Width	A/P Width	A/P Inner Dimension	M/L Inner Dimension
SM	32.0	23.6	17.8	17.8
MED	37.0	24.2	17.8	19.5
LRG	42.0	25.5	18.8	20.5
XL	46.0	25.5	18.8	21.5

Trabecular Metal Femoral Metaphyseal Cone Dimensions (mm)				
Size	M/L Width	A/P Width	A/P Inner Dimension	M/L Inner Dimension
SM	53.4	32.2	17.8	17.8
MED	57.4	35.6	17.8	19.5
LRG	61.4	39.2	18.8	20.5
XL	67.3	42.1	18.8	21.5

Note: Reference the Compatibility Charts section beginning on page 13 to determine stem/cone compatibility

Tibial Construct Dimensions

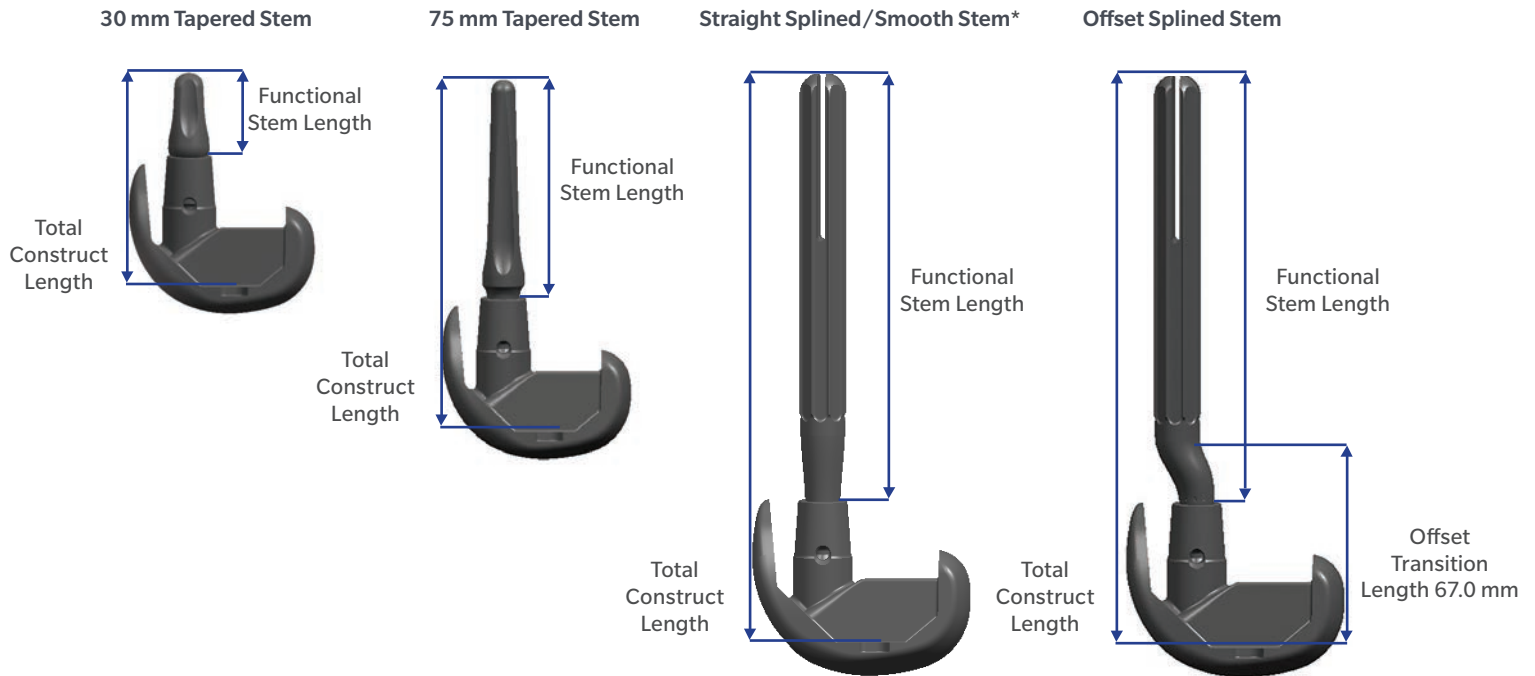


Tibial Construct Dimensions (mm)	
Functional Stem Length	Total Construct Length
+ 30.0	55.0
+ 75.0	100.0
+ 135.0	160.0
+ 175.0	200.0

Note: + in addition to stem housing

*Smooth Stem Not Shown

Femoral Construct Dimensions



Femoral Construct Dimensions (mm)	
Functional Stem Length	Total Construct Length
+ 30.0	75.0
+ 75.0	120.0
+ 135.0	180.0
+ 175.0	220.0

ⓘ **Note:** + in addition to stem housing

*Smooth Stem Not Shown

Compatibility Charts

Persona Revision Femoral Component used on Persona Revision CCK,
Persona CPS or Persona PS Bearing

		Persona Revision Femoral Components																
		1	1+	3	3+	5	5+	7	7+	9	9+	11	11+	13				
Persona Tibial Baseplates	A	1-1+/AB	3-5+/AB															
	B																	
	C	1-1+/CD	3-5+/CD												7-9+/CD			
	D																	
	E	3-5+/EF	7-9+/EF												11-11+/EF			
	F																	
	G	7-9+/GH				11-13/GH												
	H																	
	J	11-13/J																

Persona Revision Femoral Component used with Persona All-Poly Patellae

		Persona Revision Femoral Component												
		1	1+	3	3+	5	5+	7	7+	9	9+	11	11+	13
Persona All-Poly (UHMWPE) Patellar Component (42-5400-000-XX) and Vivacit-E® Patellar Component (42-5402-000-XX) (mm sizes)	26	i	i	i	i	i	i	i	i	i	i	i	i	i
	29											i	i	i
	32											i	i	i
	35													
	38													
	41													

i: INSET patella with Persona Revision Femoral Component



Persona Revision Femoral Component Used with NexGen® Patellae

		Persona Revision Femoral Component												
		1	1+	3	3+	5	5+	7	7+	9	9+	11	11+	13
NexGen All-Poly Patellar Component (00-5972-065-XX) and Prolong® Patellar Component (00-5972-066-XX) (mm sizes)	26	i	i	i	i	i	i	i	i	i	i	i	i	i
	29											i	i	i
	32											i	i	i
	35													
	38													
	41													

i: INSET patella with Persona Revision Femoral Component

Compatible
 Incompatible

		Persona Revision Femoral Component												
		1	1+	3	3+	5	5+	7	7+	9	9+	11	11+	13
NexGen Primary Porous Patellar Component (00-5878-065-XX) (mm sizes)	32											i	i	i
	35													
	38													
	41													

i: INSET patella with Persona Revision Femoral Component

Compatible
 Incompatible

Persona Revision Femoral Component and Posterior Femoral Augments with Femoral Metaphyseal

		Persona Revision Femoral Component												
		1	1+	3	3+	5	5+	7	7+	9	9+	11	11+	13
Femoral Metaphyseal Cones	SML			5 mm			5 mm, 10 mm			5 mm, 10 mm, 15 mm				
	MED					5 mm			5 mm, 10 mm		5 mm, 10 mm, 15 mm			
	LRG							5 mm		5 mm, 10 mm				
	XLRG									5 mm		5 mm, 10 mm		

Compatible
 Incompatible

Note: The following charts, Persona Revision Stem Extension with Tibial Cones and Persona Revision Stem Extension with Femoral Cones, are indicating when preassembly is required based on stem diameter size.

Persona Revision Stem Extension with Tibial Central Cones

		Stem Extension	
		Press-Fit Stem (Splined)	Cemented Stem (Smooth)
Tibial Central Cones	FIX TIB*	16 mm	16 mm
	XSM	18 mm	18 mm
	SM	18 mm	18 mm
	MED	18 mm	18 mm
	LRG	18 mm	18 mm

* Compatible with Fixed Tibial Baseplate only

Persona Revision Stem Extension with Tibial Perimeter Cones

		Stem Extension	
		Press-Fit Stem (Splined)	Cemented Stem (Smooth)
Tibial Perimeter Cones	FIX TIB*	14 mm	14 mm
	SM	17 mm	18 mm
	MED	18 mm	20 mm
	LRG	18 mm	20 mm

*Compatible with the Fixed Tibial Baseplate only

Persona Revision Stem Extension with Femoral Central and Metaphyseal Cones

		Stem Extension	
		Press-Fit Stem (Splined)	Cemented Stem (Smooth)
Femoral Central and Metaphyseal Cones	SM	16 mm	16 mm
	MED	16 mm	16 mm
	LRG	17 mm	18 mm
	XL	17 mm	18 mm

All content herein is protected by copyright, trademarks and other intellectual property rights, as applicable, owned by or licensed to Zimmer Biomet or its affiliates unless otherwise indicated, and must not be redistributed, duplicated or disclosed, in whole or in part, without the express written consent of Zimmer Biomet.

This material is intended for health care professionals. Distribution to any other recipient is prohibited.

For indications, contraindications, warnings, precautions, potential adverse effects and patient counseling information, see the package insert or contact your local representative; visit zimmerbiomet.com for additional product information.

Check for country product clearances and reference product specific instructions for use.

Not for distribution in France.

© 2019 Zimmer Biomet

 **Authorized Representative**
Zimmer GmbH
Sulzerallee 8
8404 Winterthur
Switzerland

 **Legal Manufacturer**
Zimmer, Inc.
1800 W. Center Street
Warsaw, Indiana 46580
USA

 **ZIMMER BIOMET**
Your progress. Our promise.®

2123.2-GLBL-en-REV0919

zimmerbiomet.com

CE 2797

CE mark is only valid if it is also printed on the product label.