

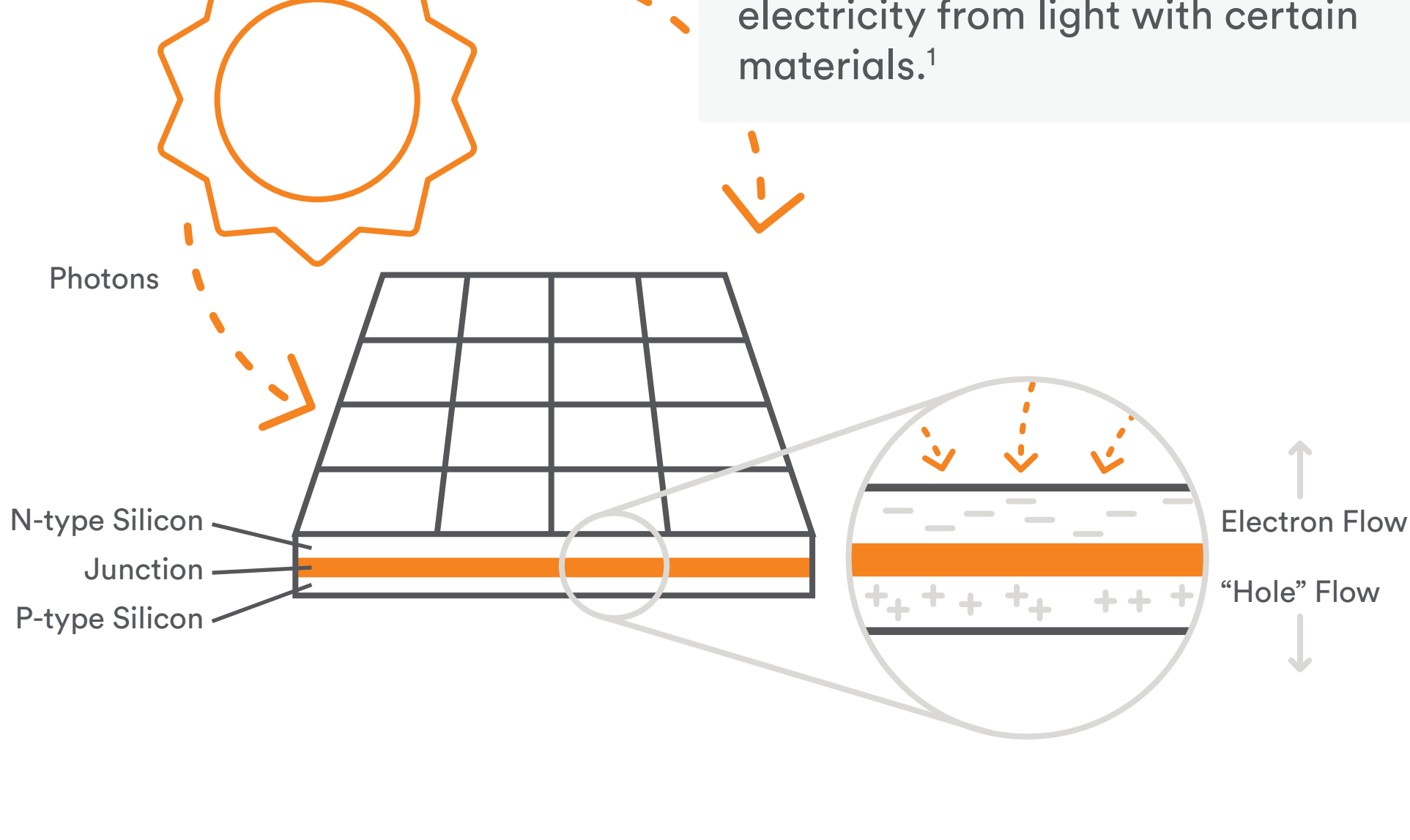
The History of Solar Power

vivint.Solar[®]

The Photovoltaic Effect is discovered

1839

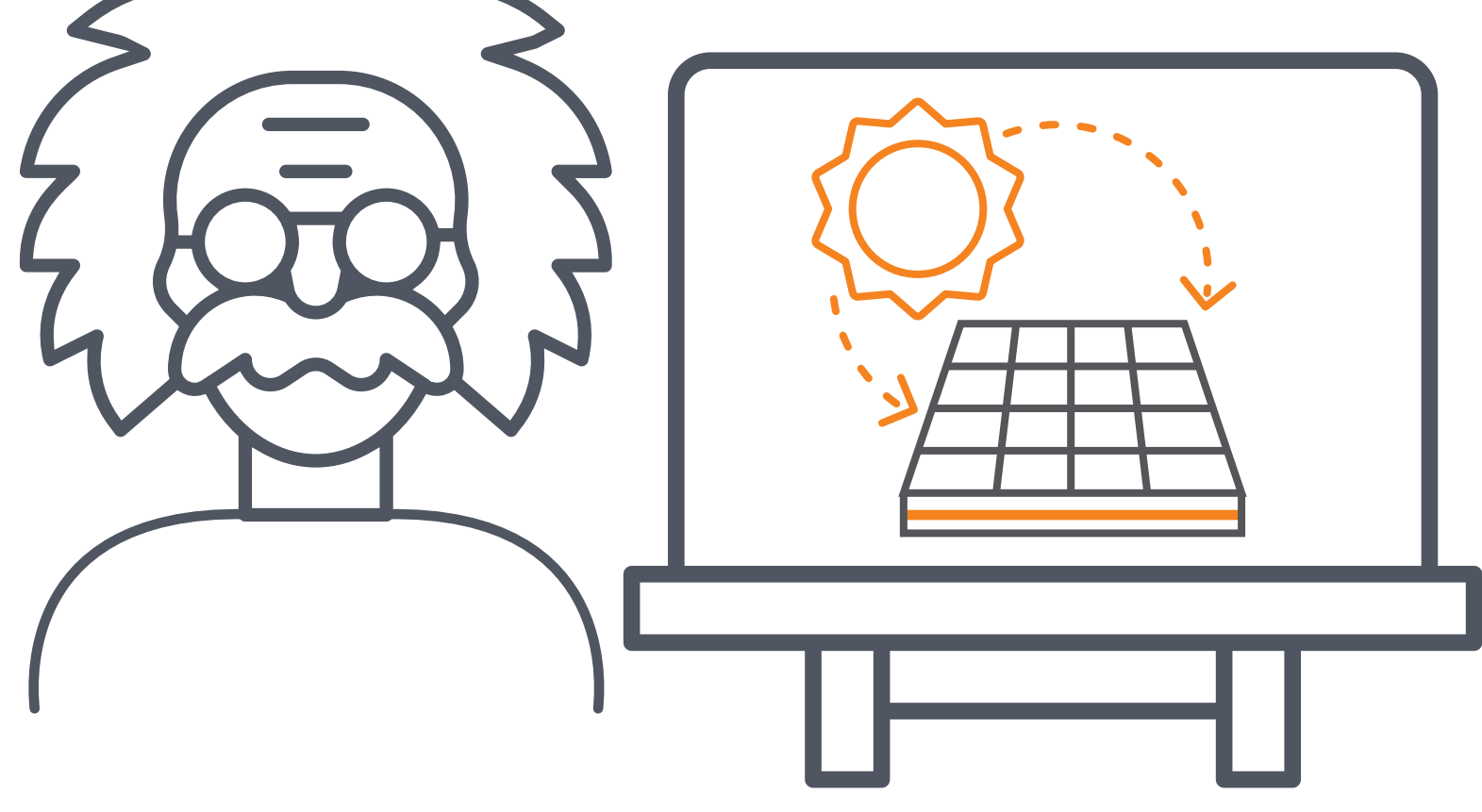
This effect allows people to make electricity from light with certain materials.¹



Einstein publishes information on the photovoltaic effect

1905

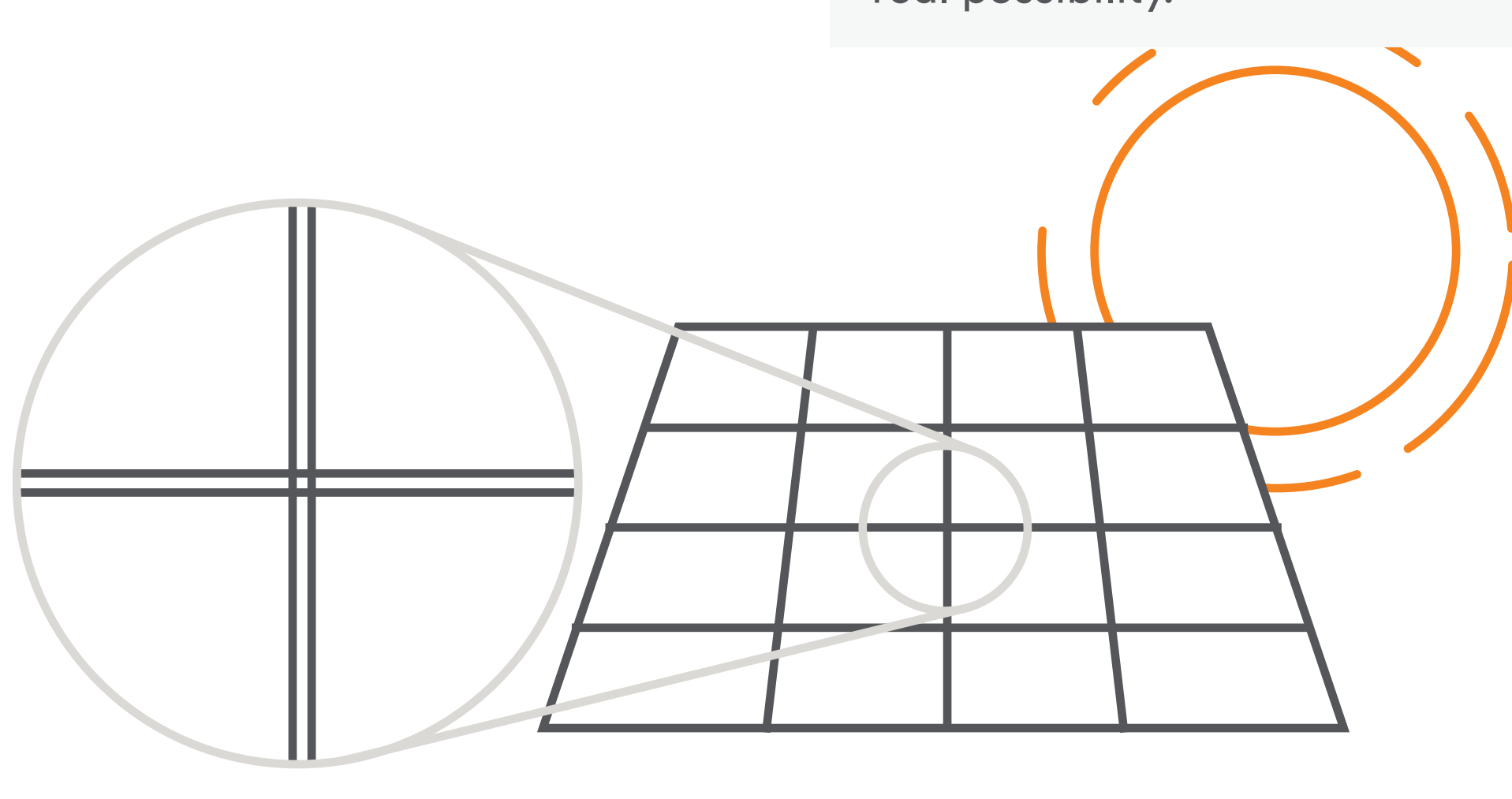
Einstein goes into further detail explaining how photovoltaic effect actually works. This allows other scientists to better understand and use it.¹



First solar cell is invented

1941

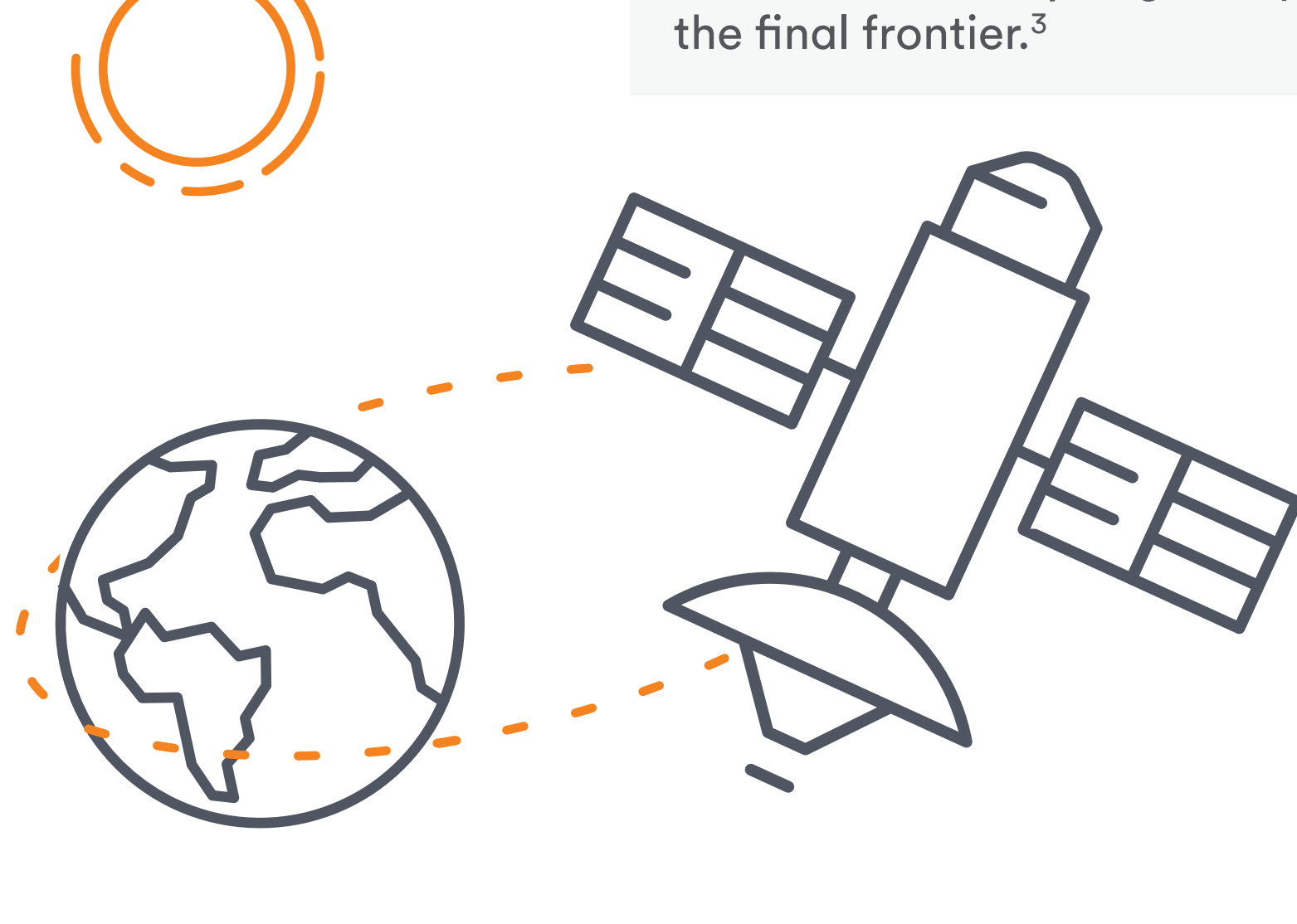
Scientists now know that collecting solar energy on a large scale is a real possibility.²



Solar panels powered space exploration

1950's & 60's

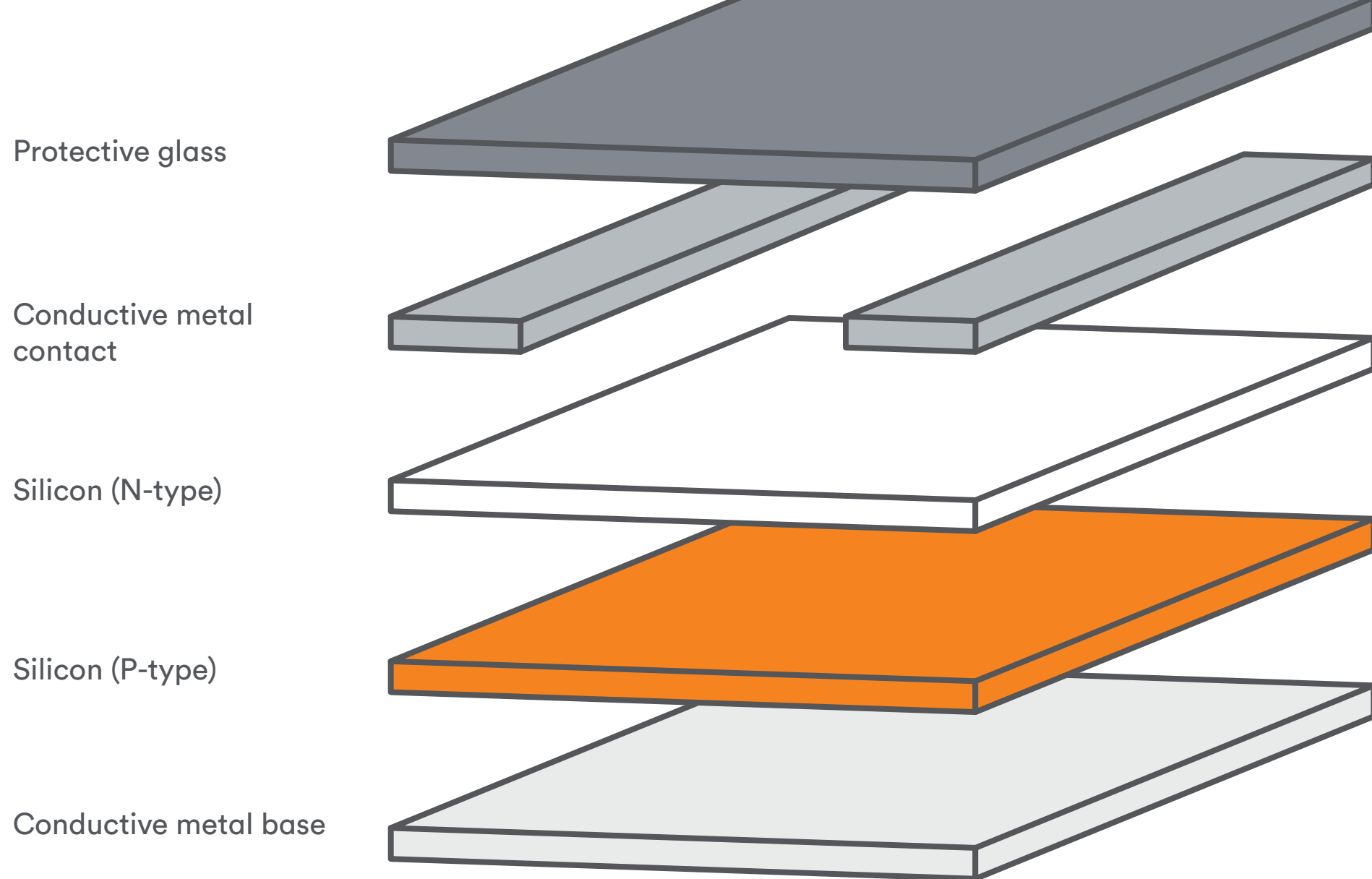
Solar panels were able to help astronauts as they began exploring the final frontier.³



Solar cells improved to 4% efficiency by Bell Labs

1954

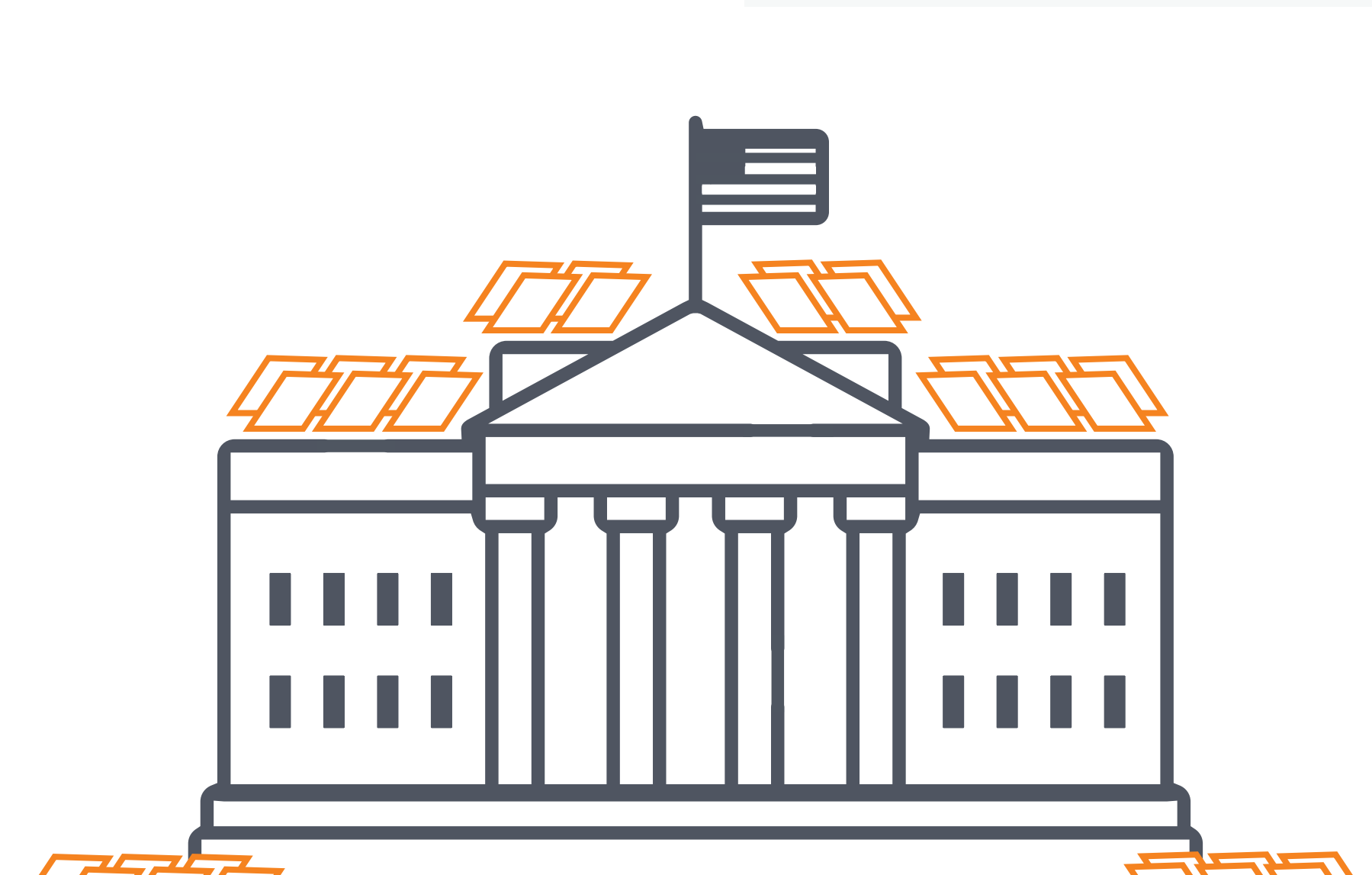
Solar panel efficiency continued to improve over the next several decades, making solar panels much more affordable.⁴



Jimmy Carter installed 32 solar panels on the White House to heat water

1979

Later U.S. Presidents added (and removed) solar panels from the grounds of the White House.⁵



The Solar Investment Tax Credit (ITC) is enacted

2006

The ITC encouraged the U.S. solar industry to increase by more than 10,000%.⁶ Unfortunately, the ITC will start to decrease after 2019.

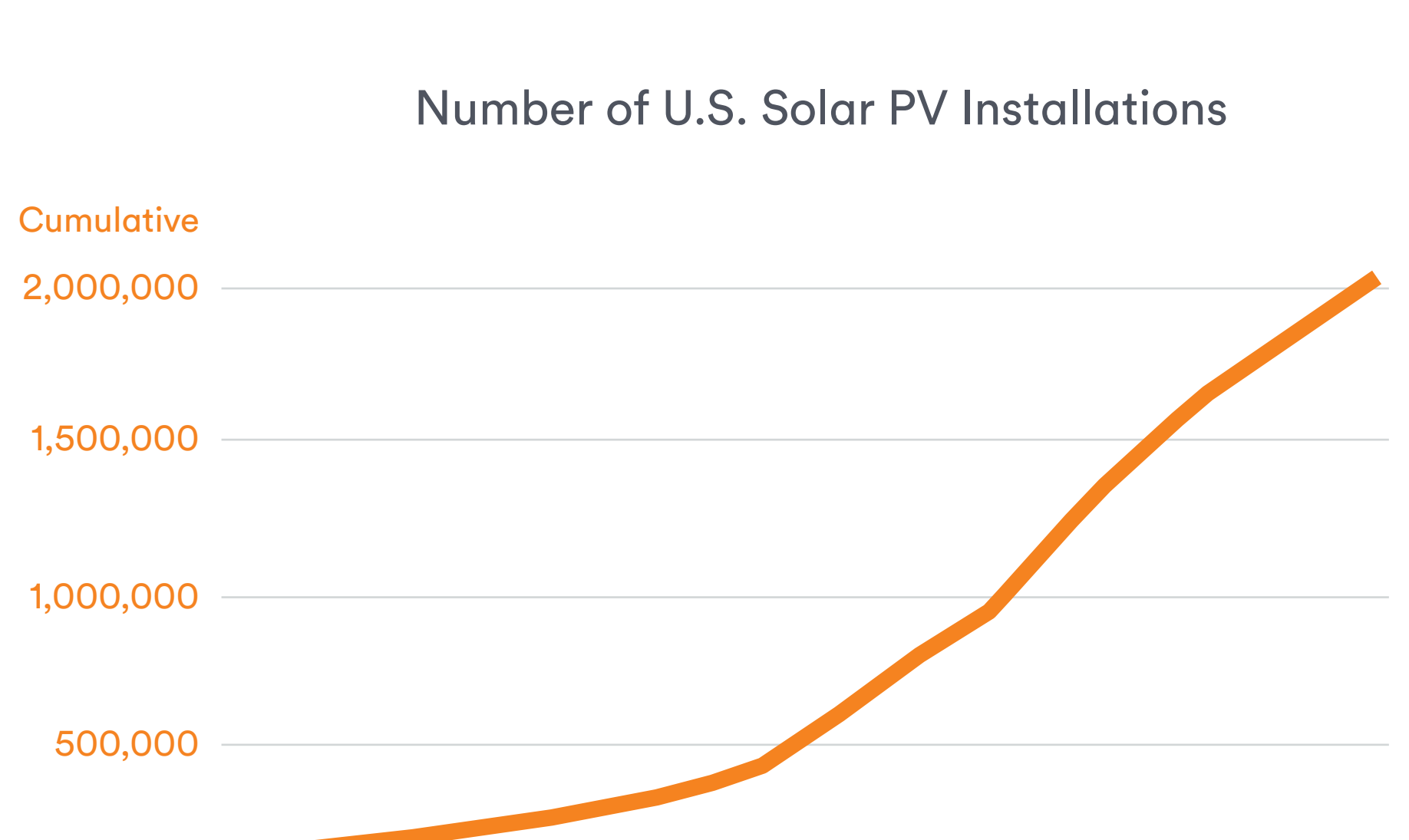


The U.S. Hit 1 Million Solar Installations

2016

It took the solar industry 40 years to reach this milestone, but it eclipsed 2 million solar installations just three years later.⁷

Number of U.S. Solar PV Installations



Sources:

- <https://www.energymatters.com.au/panels-modules/>
- <https://www.aps.org/publications/apsnews/200501/history.cfm>
- <https://www.aps.org/publications/apsnews/200904/physics/history.cfm>
- <https://www.instituteforenergyresearch.org/renewable/solar/history-of-solar-power/>
- <https://www.thoughtco.com/history-of-white-house-solar-panels-3322255>
- <https://www.seia.org/initiatives/solar-investment-tax-credit-itc>
- <https://www.seia.org/news/united-states-surpasses-2-million-solar-installations>