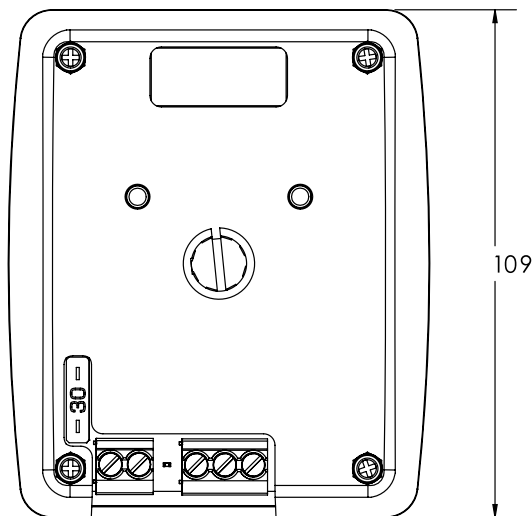
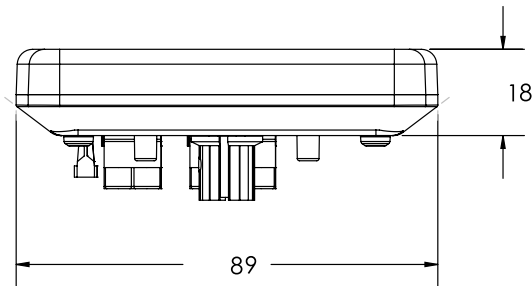




LIGHTHEAD PROGRAMMER

The Lighthouse Programmer allows users to quickly and easily program flash patterns for multiple directional lights at the same time and configure flash patterns for up to eight lighthoods at one time using the simple dial controller.



VOLTS AMPS	12V 24A MAX
DIMS	109mm H x 89mm L x 18mm D
DETAILS	<ul style="list-style-type: none"> Allows user to quickly and easily program flash patterns for multiple directional lights at the same time Programs up to eight lighthoods at once LED screen displays the flash pattern number Demo button allows user to review pattern selection Automates the flash pattern selection process, no wire tapping needed
MODEL	PRODUCT COMPATIBILITY
LHP-C3	ULT6/ULTMC/ED3701/ED3702, M180™/ED3777, XTP/ED3700, Micropak/ED9040 and CD5050/ED5050

+44 (0)113 237 5340 | sales@eccogroup.com