

Instinct Venturi Interface Replacement Kit



Kit Part Number	Description	Model
INSRKIT13	Venturi Interface Replacement	All Models

Each Kit Includes:

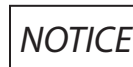
- (1) Venturi Interface

Recommended Tools:

- Adjustable Wrenches
- Calibrated Combustion Analyzer



Indicates a potentially hazardous situation which, if ignored, can result in serious injury or substantial property damage.



Indicates special instructions on installation, operation or maintenance, which are important to equipment but not related to personal injury hazards.



For your safety, turn off electrical power supply at service panel and allow unit to cool before proceeding to avoid possible electrical shock and scald hazard. Failure to do so can cause severe personal injury or death.



Failure to follow instructions below can result in severe personal injury or damage if ignored.

- **Instructions are for a qualified installer/ service technician only.**
- **Read all instructions before proceeding.**
- **Follow instructions in proper order.**

Instinct Venturi Interface Replacement Kit



1. Preliminary Instructions:

1. Verify that the venturi interface replacement kit is correct for the model of boiler. See page 1.
2. Turn off electrical power supply to the boiler.
3. Close the manual gas shut off valve to the unit.
4. Remove the front panel of the Instinct by removing the screw along the bottom edge of the unit. Pull the bottom of the panel forward and then lift to remove the front panel from the unit.
5. Using a voltmeter ensure there is no electrical power to the boiler by checking for power on the boiler's high voltage terminals L and N.

3. Open the manual gas shut off valve to the unit. Before placing the boiler back into operation, test all gas connections for leaks and repair if leaks are found.



WARNING

ELECTRICAL SHOCK HAZARD

Ensure power to the boiler has been disconnected prior to servicing the unit.

2. Removal of old Venturi Interface

1. Remove the silicone tube from the air inlet elbow, then remove the air inlet elbow.
2. Rotate the venturi interface approximately 60° clockwise to release the clamping mechanism and remove the venturi interface. Do not discard the gasket between the venturi and venturi interface as it will be reused.

3. Installation venturi

1. Ensure the venturi gasket is properly installed and install the venturi interface on the venturi and rotate counterclockwise until locked into place.
2. Install the air inlet elbow then attach the silicone tube.



WARNING

Failure to properly install the air inlet elbow and attach the silicone tube will affect combustion of the boiler which can result in substantial property damage, serious injury, or death.

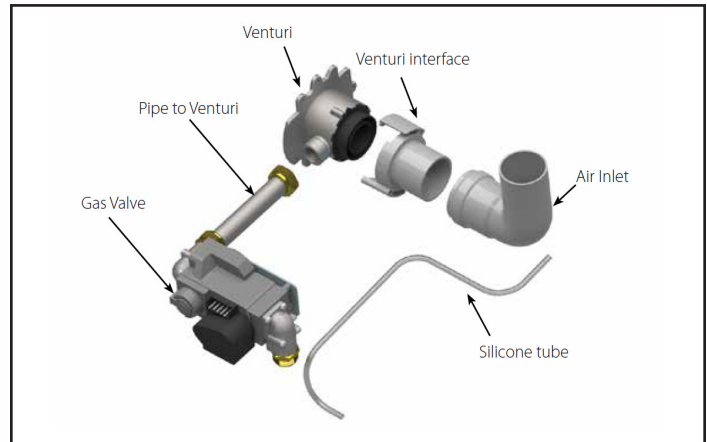


Fig. 1: Instinct 110 Gas Train

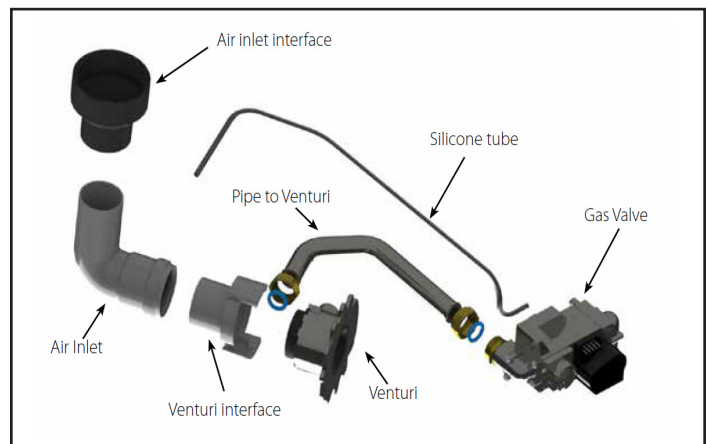


Fig. 2: Instinct 155 Gas Train

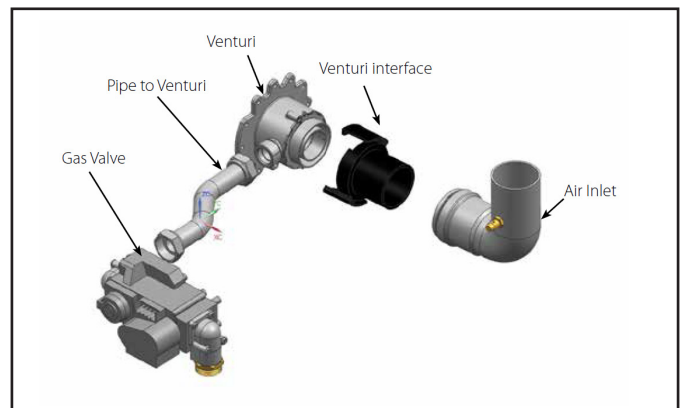


Fig. 3: Instinct 199 Gas Train