



Technical submittal

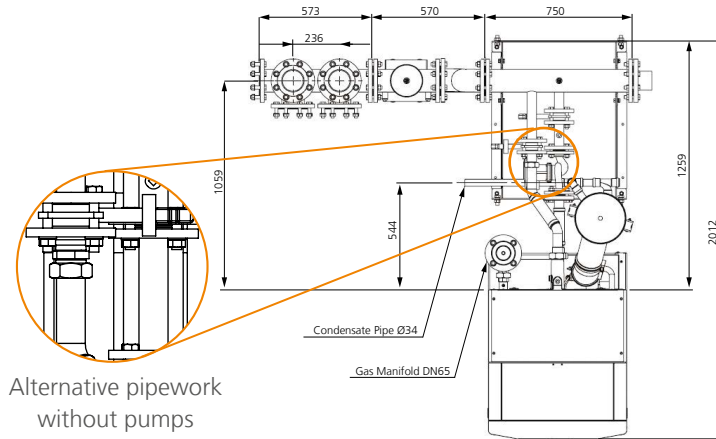
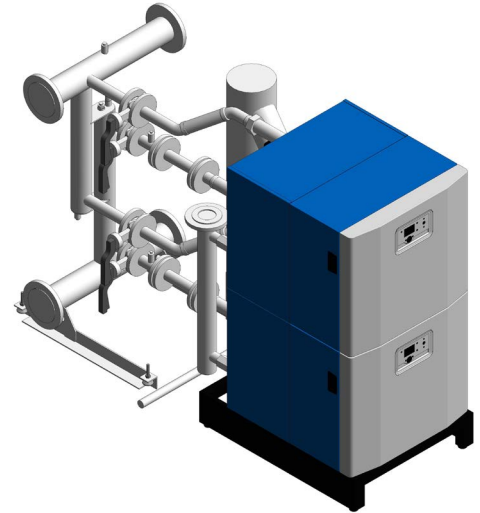
Products: **Pipe kits 100mm dia. for Upton UF200-2 and UF300-2**

Project:

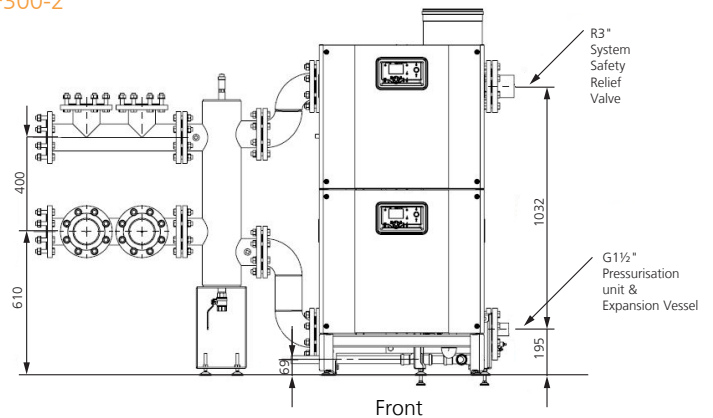
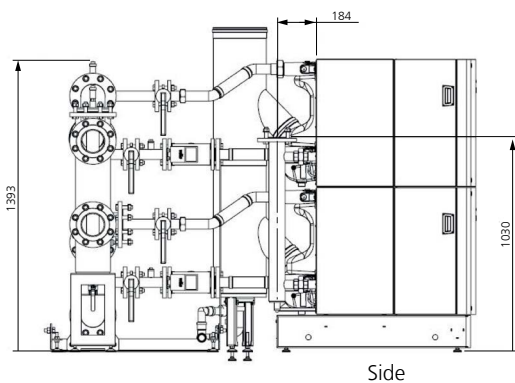
Customer:

Date:

- ⊗ Automatic air vents on manifold and low loss header
- ⊗ Condensate pipe drainwork
- ⊗ Connections for pressurisation unit and end caps
- ⊗ Flushing points
- ⊗ Boiler safety relief valve
- ⊗ Optional matched pumps controlled by boiler LMS
- ⊗ Optional matched low loss header with combined air and dirt separator
- ⊗ Optional 3 port manifold kit



2-high pipe kits with 100mm dia. for Upton models UF200-2 and UF300-2



Note: All dimensions in mm unless otherwise stated.

Every effort has been taken to ensure the details are accurate. Hamworthy Heating does not, however, guarantee the accuracy or completeness of any information nor does it accept liability for any errors or omissions in the information. Hamworthy Heating reserves the right to make changes and improvements which may necessitate alteration to product specification without prior notice.