

ideal
HEATING

LOGIC+ SYSTEM²

15 18 24 30 kW



Compact cupboard fit



Compression fitting included



Enhance boiler performance with Halo



Low lift weight



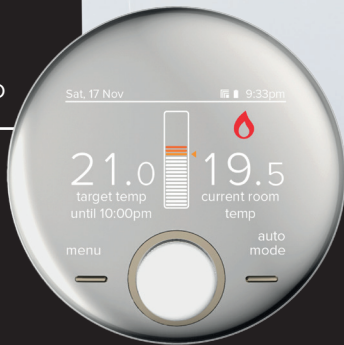
Frost protection



Large colour screen and simple user interface



Made in the UK



Features & specification

END USER BENEFITS

- Award winning range
- Service indication
- Compatible with a range of additional controls inc. weather compensation and our Halo range plus other OpenTherm controls
- LPG conversion kits available for most kW outputs

EASY TO INSTALL

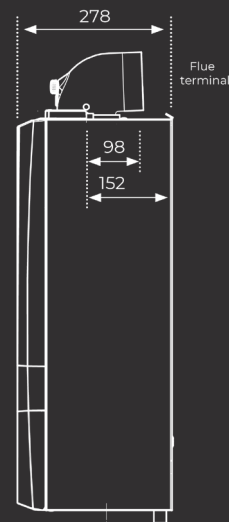
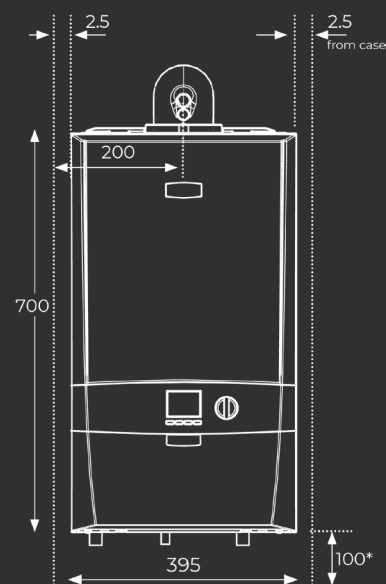
- Honeywell gas valve
- Built in frost protection
- Designed, developed and made in the UK
- 7 year warranty as standard
- Wiring centre can accommodate a variety of cable thicknesses including 5-core cable with simple screw bridge clamps for fixation
- Low boiler lift weight of 26.1kg
- Compact cupboard fit
- Stand off kit options with and without pipes
- Wide range of flueing options
- Preformed copper tails

- Pre-wired mains lead
- Safety valve outlet pipe included
- Fixed flue turret seal to prevent dislodgement during fitting
- Compression fitting included in the hard wear pack
- QR codes linked to 'how to' videos in the instruction manual

EASY TO SERVICE AND MAINTAIN

- Easy to see pressure gauge
- Single dual purpose spark and detection electrode
- Fully serviceable from the front

Clearances & dimensions



Dimensions in mm.

Technical specification

| LOGIC+ SYSTEM ² MODELS | 15 | 18 | 24 | 30 |
|--|----------|----------|----------|----------|
| Weight(Packaged) kg | 31.1 | 31.1 | 31.1 | 31.1 |
| Max Installation weight kg | 27.3 | 27.3 | 27.3 | 27.3 |
| CH Output(kW) min /max mean 70°C | 4.8-15.0 | 4.8-18.0 | 4.8-24.2 | 6.1-30.3 |
| CH Output(kW) min /max mean 40°C | 5.1-15.9 | 5.1-19.1 | 5.1-25.6 | 6.4-31.0 |
| SEDBUK rating (2005)% | 91.2 | 91.1 | 91.2 | 91.1 |
| SEDBUK rating (2009/2012)% | 89.4 | 89.7 | 89.7 | 89.6 |
| NOx Classification | Class 6 | Class 6 | Class 6 | Class 6 |
| LPG conversion | No | Yes | No | Yes |
| Max Horizontal flue | 9m | 9m | 9m | 8m |
| Max Vertical Flue | 7.7m | 7.5m | 7.5m | 7.5m |
| Seasonal space heating efficiency class | A | A | A | A |
| Seasonal space heating energy efficiency μ s % | 93 | 93 | 94 | 93 |
| Sound power level indoors LWA dB(A) | 42 | 44 | 50 | 50 |



T: 01482 492251 E: ideal@idealheating.com
 Ideal Heating, PO Box 103, National Avenue, Kingston upon Hull, East Yorkshire, HU5 4JN.

Clearances & dimensions notes: **The minimum front clearance when built into a cupboard is 5mm from the cupboard door but 450mm overall clearance with the cupboard door open is required for servicing.
 *Bottom clearance after installation can be reduced to 5mm. However, 100mm is required for servicing.