

Prestige Vent Adapter Replacement



Kit Part Number	Description	Model
PTRKIT220	Vent Adapter Replacement	Prestige CTRLMax 80, 110, 155, 175, 250, Excellence
PTRKIT221	Vent Adapter Replacement	Prestige CTRLMax 299/399

Each Kit Includes:

- Vent Adapter
- Four Screws
- 3mm Drill Bit

Recommended Tools:

- Phillips Head Screwdriver
- Power Drill



Indicates a potentially hazardous situation which, if ignored, can result in serious injury or substantial property damage.



Indicates special instructions on installation, operation or maintenance, which are important to equipment but not related to personal injury hazards.



For your safety, turn off electrical power supply at service panel and allow unit to cool before proceeding to avoid possible electrical shock and scald hazard. Failure to do so can cause severe personal injury or death.



Failure to follow instructions below can result in severe personal injury or damage if ignored.

- **Instructions are for a qualified installer/ service technician only.**
- **Read all instructions before proceeding.**
- **Follow instructions in proper order.**

Prestige Vent Adapter Replacement



1. Preliminary Instructions:

1. Verify that the replacement kit is correct for the model of boiler. See table on page 1.
2. Carefully open and unpack the PARTS BOX from its shipping carton.
3. Carefully remove and check for any damage.

NOTICE

Do not proceed with installation and contact Triangle Tube right away if any components are damaged in any way.

4. Turn off the electrical power supply to the boiler.
5. Close the manual gas shut off valve to the unit.

2. Vent Adapter Removal

1. Remove the front jacket panel by removing the 3 screws located at the bottom of the front panel and lifting the panel up and out. Do not discard these screws as they will be reused.



The vent and air adapters are located at the top of the boiler and may be difficult to access. Make sure to use appropriate means to prevent any accidental fall. Failure to comply may result in property damage or injury.

2. Disengage the vent/air adapter from the vent/air piping by loosening the banding clamp and lifting the piping up.
3. Remove the four screws (if present) securing the old vent adapter to the top panel.
4. Twist the vent adapter, then pull up.

NOTICE

Do not use excessive force to twist and pull the vent adapter.

5. Repeat for the other adapter.

3. Vent Adapter Installation

1. Align the tabs in the vent with the opening cutouts in the top panel.

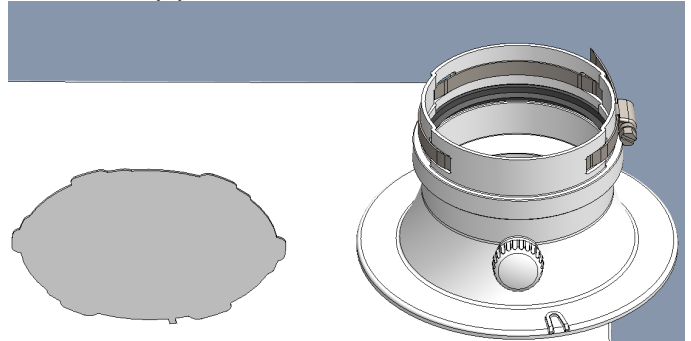


Fig. 1: Vent Adapter Tabs



Ensure the gasket is in place in the flue tube before re-assembly. Failure to do so can result in death, serious injury or substantial property damage.

2. Insert and twist the vent adapter with the test port facing forward. Lightly tug on the vent adapter to ensure it is secure.
3. Ensure the vent is securely installed in the flue tube inside the boiler with the gasket properly installed.
4. Wipe the base of each adapter with a clean cloth to remove any dust.
5. If the boiler top jacket already has holes for the screws, skip this step. Using a power drill and the supplied drill bit, drill 4 holes through each adapter base and through the jacket panel.

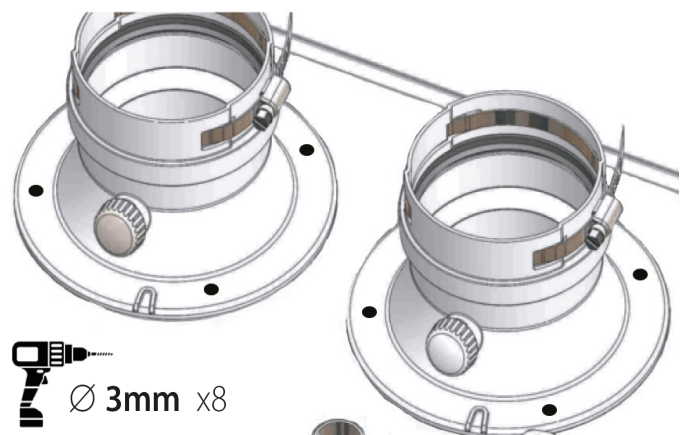


Fig. 2: Drill Holes

Prestige Vent Adapter Replacement



6. Install 4 screws into the holes of each adapter and tighten.

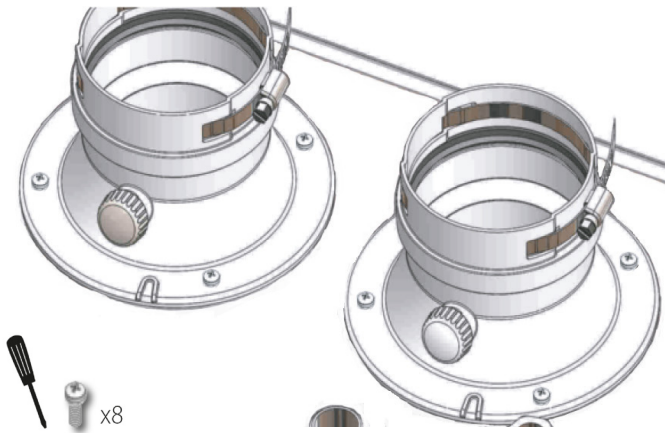


Fig. 3: Install Screws

7. Repeat for the other vent adapter.

NOTICE

An adequate CH load must be present to dissipate the heat generated during the test. If an adequate CH load is not available an indirect water heater can be used to dissipate the heat by creating a DHW call which will enable the DHW circulator.

8. Turn on the electrical power supply to the Prestige boiler and fire to check no flue gas is leaking.



Do not check for gas leaks with an open flame. Use a bubble test. Failure to check for gas leaks can cause severe personal injury, death or substantial property damage

9. Replace the front jacket panel and secure with screws. Return the unit back to service.