



CTRLMax Control System

- Graphical display with 5 navigation buttons
- EZ Setup allows quick and easy boiler settings adjustment
- Flexible configuration of 3 circulator outputs for custom applications
- Outdoor temperature reset to maximize efficiency
- Accepts two space heating call inputs with independent outdoor reset curves
- Domestic hot water priority with optional time-out
- Integrated cascade control for up to 6 Exalt Solo boilers
- 0-10 VDC Modulation input
- Modbus building management system (BMS) interface, LonWorks® and BACnet® interface optional
- Adjustable warm weather shutdown
- Adjustable boiler freeze protection
- Logging function records sensor readings for system optimization and troubleshooting
- Describes lockouts in plain English and suggests solutions while storing last 8 errors

Instinct 155 Solo Features

- Light weight construction for wall mounting
- Approved for zero clearance to combustibles
- 2" PVC, CPVC, PP venting up to 28 equivalent feet
- 3" PVC, CPVC, PP, or AL29-4C venting up to 100 equivalent feet
- Up to 12 year limited warranty on heat exchanger
- Up to 6 year limited warranty on parts, except igniter
- Up to 3 year limited labor allowance

Approvals

- 95% AFUE Efficiency
- ENERGY STAR Qualified
- ANSI Z21.13 and CSA 4.9 Boiler Standards Compliance
- ASME Boiler Certification – ASME "H" Stamp

Stainless Steel Fire Tube Heat Exchanger

- 439 Stainless Steel heat exchanger construction for corrosion resistance
- High water content provides stable temperature control
- Self cleaning flue ways reduce maintenance
- Suitable for use with propylene glycol up to 50% concentration

Standard Equipment

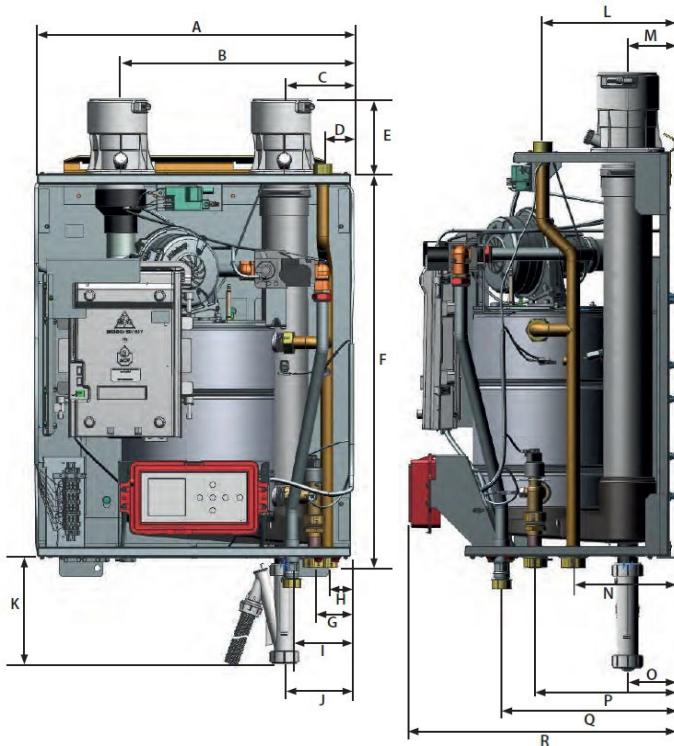
- Stainless steel premix burner
- Direct spark ignition with variable speed blower
- Full modulation with turndown ratio of 8:1
- Automatic air vent
- ASME 30 PSI pressure relief valve
- Temperature and Pressure Gauge
- System water Inhibitor
- Outdoor temperature sensor
- Automatic low water cutoff feature with early warning
- High temperature manual reset limit safety control
- Terminal block for circulator output
- Low voltage terminal strip with removable jumpers for manual or automatic reset limits
- Swing out control for easy access and servicing
- Polypropylene condensate pan and internal flue pipe
- 3 in 1 Universal vent adapter directly accepts PVC, Polypropylene, Stainless steel connections with test ports

Project / Location: _____ Date: _____

Consulting Engineer / Architect: _____

Mechanical Contractor: _____

Boiler Dimensions



Letter	Connection	Dimension in[mm]
A	Boiler Width	21 5/8" [550]
B	3" Combustion Air Inlet	15 3/4" [400]
C	3" Vent Outlet	4 3/4" [120]
D	3/4" NPSC Relief Valve	2 1/8" [55]
E	Vent / Combustion Air Connection Height	5 1/8" [130]
F	Boiler Height	26" [660]
G	1" NPT Boiler Return	2 3/4" [70]
H	1" NPT Boiler Supply	1 7/8" [48]
I	3/4" NPT Gas Connection	4 3/8" [110]
J	Condensate Drain	4 3/4" [120]
K	Condensate Height	6 3/4" [171.0]
L	3/4" NPSC Relief Valve	8 5/8" [220]
M	3" Combustion Air Inlet & 3" Vent Outlet	3 1/8" [80]
N	1" NPT Boiler Supply	6 1/2" [165]
O	Condensate Drain	3 1/8" [80]
P	1" NPT Boiler Return	9 1/8" [230]
Q	3/4" NPT Gas Connection	11 1/4" [285]
R	Boiler Depth	17 1/8" [435]

Boiler Performance

Exalt Model	Fuel	Input Modulation (MBH)	AFUE	DOE Heating Capacity (MBH)	Net AHRI (MBH)	Boiler Water Volume (gal)	Power	Shipping Weight (Lbs)
Solo 155	Natural Propane	19.375 - 155	95%	143	124	3	120/1/60 FLA: 10A	128

