

LOGIC COMBI²

24 30 35kW



Compact cupboard fit



NOx class 6



Integrate with Link remote monitoring solution



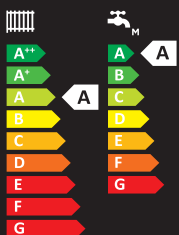
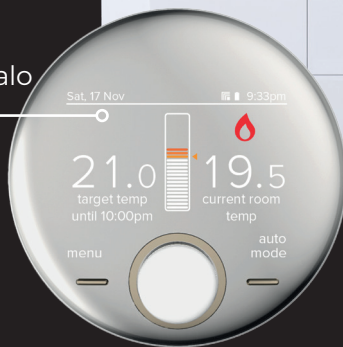
Frost protection



Enhance boiler performance with Halo



Sharp, high resolution screen with clear icons and text descriptions



Features & specification

END USER BENEFITS

- Award winning range
- Sharp, high-resolution screen with clear icons and text descriptions
- Compatible with a wide range of additional controls including our Halo range, weather compensation and other OpenTherm controls
- LPG conversion kit available for all kW outputs
- Compatible with green heating technologies including solar thermal and hybrid systems

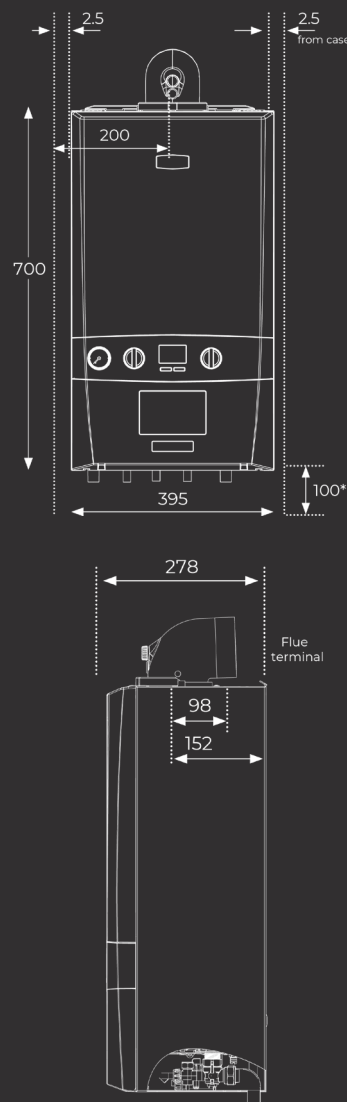
QUALITY AND RELIABILITY AS STANDARD

- Low component count maximising reliability
- Honeywell gas valve
- Built in frost protection
- Ideal System Filter compatible
- Designed, developed and made in the UK

EASY TO INSTALL AND SERVICE

- Fixed flue turret seal
- Easy to see pressure gauge
- Wiring centre can accommodate a variety of cable thicknesses including 5-core cable with simple screw bridge clamps for fixation
- Single dual-purpose spark and detection electrode
- Fully labelled and compartmentalised hardware pack
- Green filling loop handle to support consumer self-management
- QR codes linked to 'how to' videos in the instruction manual

Clearances & dimensions



Dimensions in mm.

Technical specification

LOGIC COMBI ² MODELS	24	30	35
Weight(Packaged) kg	32.8	33	33
Max Installation weight kg	28.5	28.6	28.6
CH Output(kW) min /max mean 70°C	4.8-24.2	6.1-24.2	7.1-24.2
CH Output(kW) min /max mean 40°C	5.1-25.6	6.4-25.6	7.5-25.6
DHW output (kW) max	24.2	30.3	35.3
DHW flow rate l/min 35°C	9.9	12.4	14.5
SEDBUK rating (2005)%	91.1	91.1	91.1
SEDBUK rating (2009/2012)%	89.6	89.6	89.6
NOx Classification	Class 6	Class 6	Class 6
LPG conversion	Yes	Yes	Yes
Max Horizontal flue	9m	8m	6m
Max Vertical Flue	7.7m	7.5m	7.5m
Seasonal space heating efficiency class	A	A	A
Seasonal space heating energy efficiency μ s %	94	94	94
Sound power level indoors LWA dB(A)	50	46	46
Water heating energy efficiency class	A	A	A

T: 01482 492251 E: ideal@idealheating.com
 Ideal Heating, PO Box 103, National Avenue, Kingston upon Hull, East Yorkshire, HU5 4JN.

Clearances & dimensions notes: **The minimum front clearance when built into a cupboard is 5mm from the cupboard door but 450mm overall clearance with the cupboard door open is required for servicing.
 *Bottom clearance after installation can be reduced to 5mm. However, 100mm is required for servicing.

