
Prestige PP Vent Outlet Replacement Kit for Solo 175 and Solo 250 Boilers



Kit Part Number:

PSRKIT27 – Solo 175, Solo 250 (PP: retro-fittable on PS based serial numbers)

Parts List: PSRKIT27

1. PP Vent Outlet Pipe (1)
2. Stainless Steel Vent Outlet Adapter (1)
3. Heat Exchanger Flue Adapter Gasket (1)

Recommended tools:

- Phillips-head screwdriver
- Adjustable wrench
- Hacksaw
- Gloves
- Rag

WARNING

Indicates a potentially hazardous situation which, if ignored, can result in serious injury or substantial property damage.

NOTICE

Indicates special instructions on installation, operation or maintenance, which are important to equipment but not related to personal injury hazards.

WARNING

For your safety, turn off electrical power supply at service panel and allow unit to cool before proceeding to avoid possible electrical shock and scald hazard. Failure to do so can cause severe personal injury or death.

WARNING

Failure to follow instructions below can result in severe personal injury or damage if ignored:

- Instructions are for a qualified installer / service technician
- Read all instructions before proceeding
- Follow instructions in the proper order.

Prestige PP Vent Outlet Replacement Kit for Solo 175 and Solo 250 Boilers

These instructions apply to retro-fit PP Vent Outlet Pipe to an existing MCBA controlled Prestige Solo 175 and 250 boilers (PS based serial numbers).

General Instructions

1. Turn power to the unit "OFF"
2. Remove the front panel of the Prestige by removing the thumb screw along the upper edge of the unit. Lift the panel up and pull forward to remove the front panel from the unit.
3. Remove the retaining screw from the bottom of the swing out control panel. Disconnect the ignition wire from the MCBA control. Open the display panel cover and swing the control panel out.
4. Remove external vent piping at top of unit.
5. Remove the wire connections from the flue sensor.
6. Remove the flue sensor from the vent outlet pipe as shown in Figure 1. Do not discard the flue sensor as it will be re-used later.

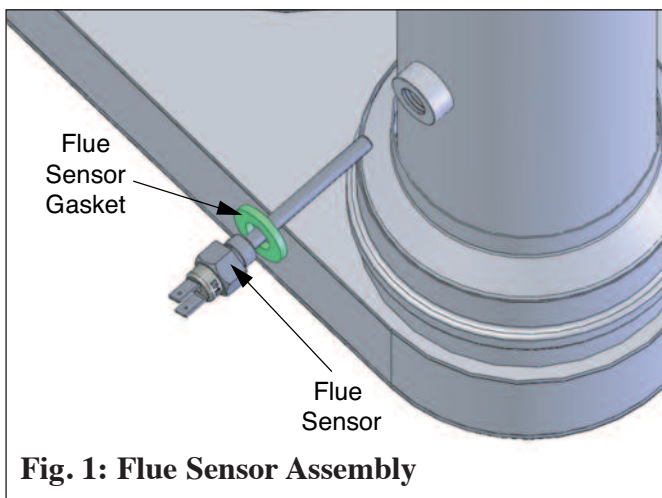


Fig. 1: Flue Sensor Assembly

7. Remove external vent piping at top of unit.
8. Remove and save the (4) mounting screws from the vent outlet adapter from the top jacket panel, see Figure 2.

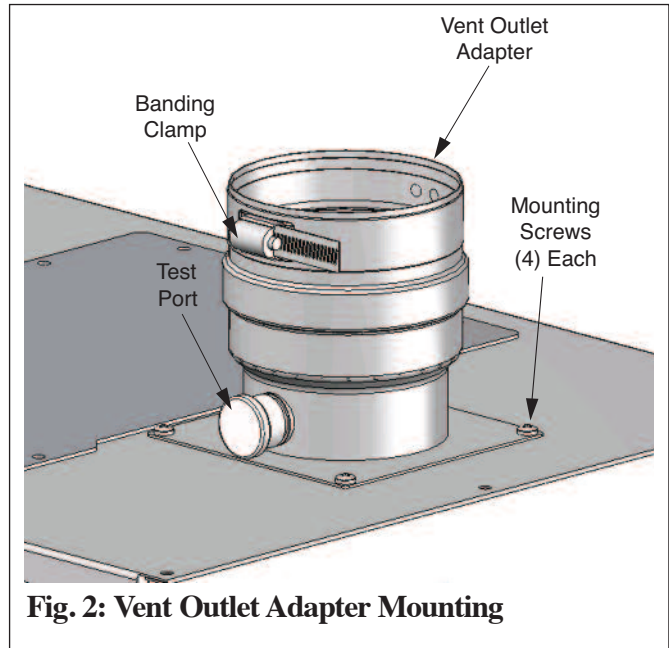


Fig. 2: Vent Outlet Adapter Mounting

9. Lift the vent outlet adapter from the heat exchanger and jacket. Use a twisting motion to disengage the vent outlet pipe from the heat exchanger.

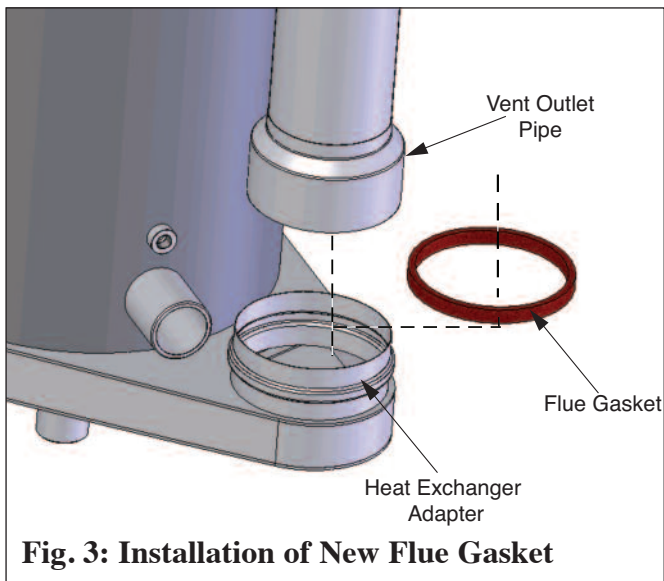
NOTICE

In the case of insufficient height above the boiler cabinet to remove the old vent outlet pipe / adapter the old pipe can be cut in two to facilitate removal.

WARNING

Use care when cutting the old pipe to avoid physical damage to oneself and the unit. Use gloves when cutting. Lift old pipe to disengage it from the heat exchanger flue adapter. Temporarily cover heat exchanger flue adapter with rag to avoid metal shaving entering heat exchanger and condensate trap. Use a hacksaw and with the vent outlet adapter mounting flange raised above the top panel carefully cut the old pipe just below the mounting flange. Use care to avoid sharp edges and remove vent adapter and pipe. Remove rag and ensure no metal shavings have entered the heat exchanger. If metal shavings are present in heat exchanger remove condensate trap and flush heat exchanger condensate pan. Reinstall condensate trap on unit.

Prestige PP Vent Outlet Replacement Kit for Solo 175 and Solo 250 Boilers



10. Remove the flue gasket from the heat exchanger adapter and replace it with a new gasket included in the kit, see Figure 3.

PP Vent Outlet Pipe and Adapter Installation

1. Apply some clean water along the heat exchanger flue gasket prior to inserting the new PP vent outlet pipe. Use a downward twisting motion to seat the new PP vent outlet pipe into the heat exchanger adapter (Fig. 3).
2. Apply some clean water to the gasket at the top of the PP vent outlet pipe. Align PP vent outlet pipe vertically and insert new stainless steel vent outlet adapter from the top into PP vent outlet pipe. Twist stainless steel vent outlet adapter in place into top panel. Make sure the test port is facing toward the front of the unit.
3. Secure vent outlet adapter with existing screws.

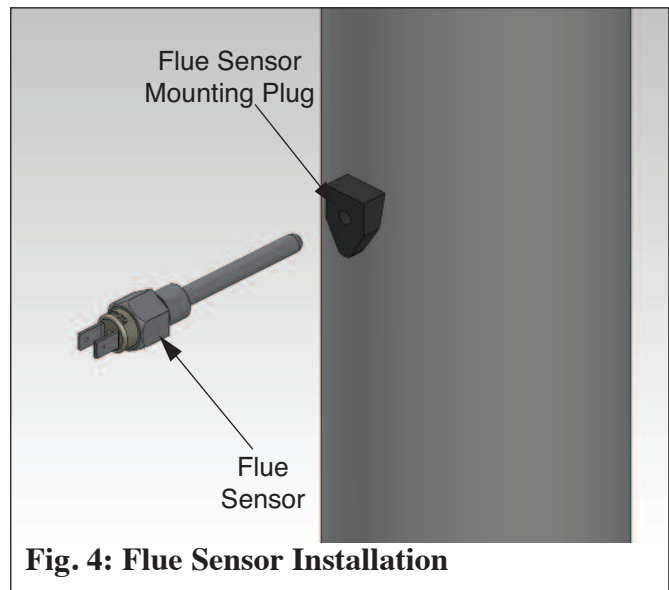
NOTICE

Once the vent pipe is seated into the heat exchanger, inspect down / inside the vent pipe to ensure the flue gasket did not dislodge. If the flue gasket is visible inside the vent pipe, disassemble and re-seat the gasket.

4. Connect external vent piping to top of unit vent outlet adapter and secure with banding clamp.

Flue Sensor Installation:

1. Verify that the flue sensor mounting plug is oriented correctly in the PP vent outlet pipe. The point of the flue sensor mounting plug should be pointed down as shown in Figure 4.



2. Moisten the shaft of the flue sensor with some clean water and carefully slide flue sensor into the flue sensor mounting plug until threaded section is flush with the plug. The plug will expand slightly to ensure a tight fit with the flue pipe.
3. Reconnect the flue sensor wires to the sensor. Close the electrical panel and secure with the retaining screw. Reconnect the ignition wire to the MCBA control module (PS 399 only).
4. Restore power to the unit and operate to verify that all joints are sealed and no flue gas leakage occurs.
5. Replace the front jacket panel and secure with the thumb screws along the upper edge.