

# Prestige SOLO 60 Through 250 and CHALLENGER Stand Instruction



**Kit Part Number: PSSTND04**

## Parts List:

1. Base Assembly
2. Adjustable Legs (4)
3. Lower Assembly
4. Support
5. Upper Assembly
6. Wall Bracket  
(Included with appliance)
7. Support Bracket (CHALLENGER Only)
8. Bolt 5/16 - 18 x 1" Long (14)
9. Bolt 5/16 - 18 x 1/2" Long (2)
10. Nut 5/16 - 18 (4)

## Recommended Tools:

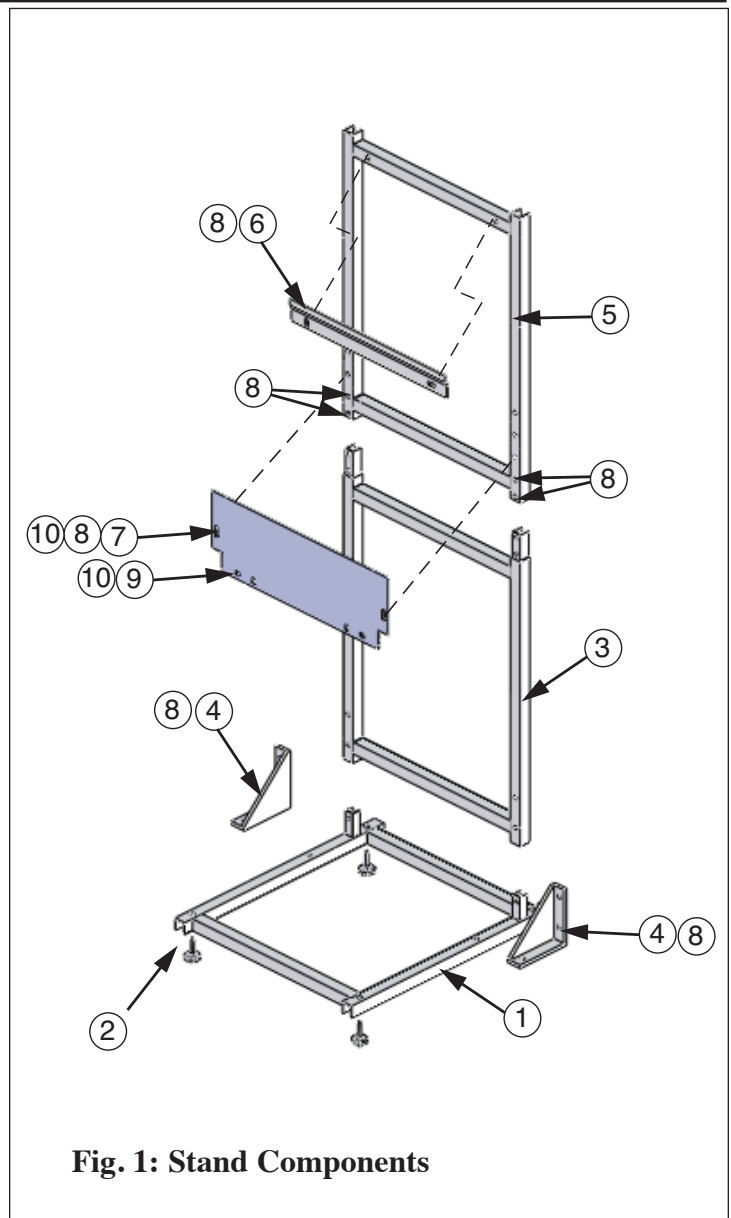
- 1/2" Wrench
- Straight Screw Driver
- Level

## Dimensions (when Assembled):

- 62" High
- 25-3/4" Deep
- 22-3/4" Wide



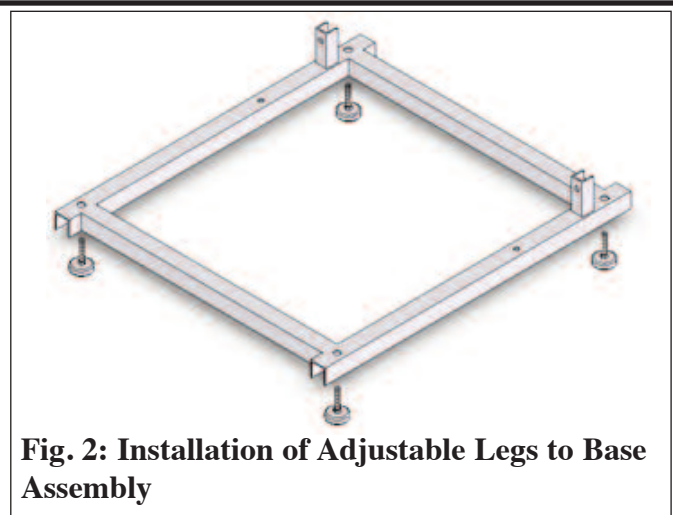
**Not for use with the Prestige Solo 399 or Prestige Excellence 110.**



**Fig. 1: Stand Components**

## Stand Assembly

1. Locate the Base Assembly and turn upside down with the welded 2.5" high uprights pointing downward.
2. Locate the four legs and install with threads bottomed out in weld nuts located on the bottom of the Base Assembly, one each corner.
3. Turn the Base Assembly upside right with the legs facing downward.

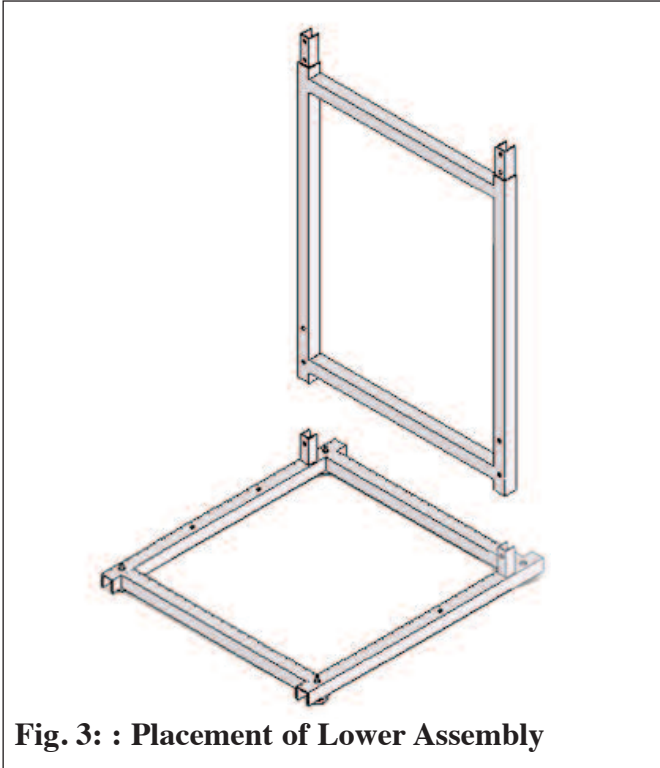


**Fig. 2: Installation of Adjustable Legs to Base Assembly**

# Prestige SOLO 60 Through 250 and CHALLENGER Stand Instruction

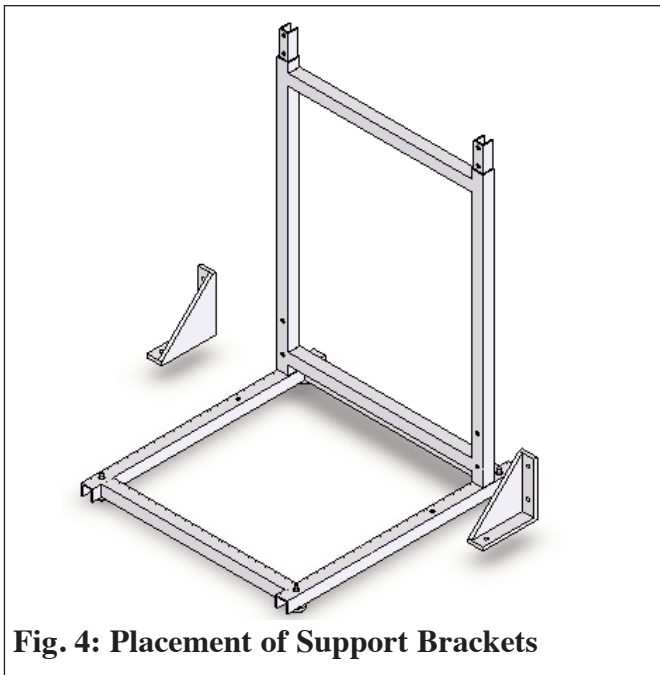


4. Locate the Lower Assembly and slide the bottom (welded splice piece facing upward) over the Base Assembly uprights with the open channels facing the same direction.



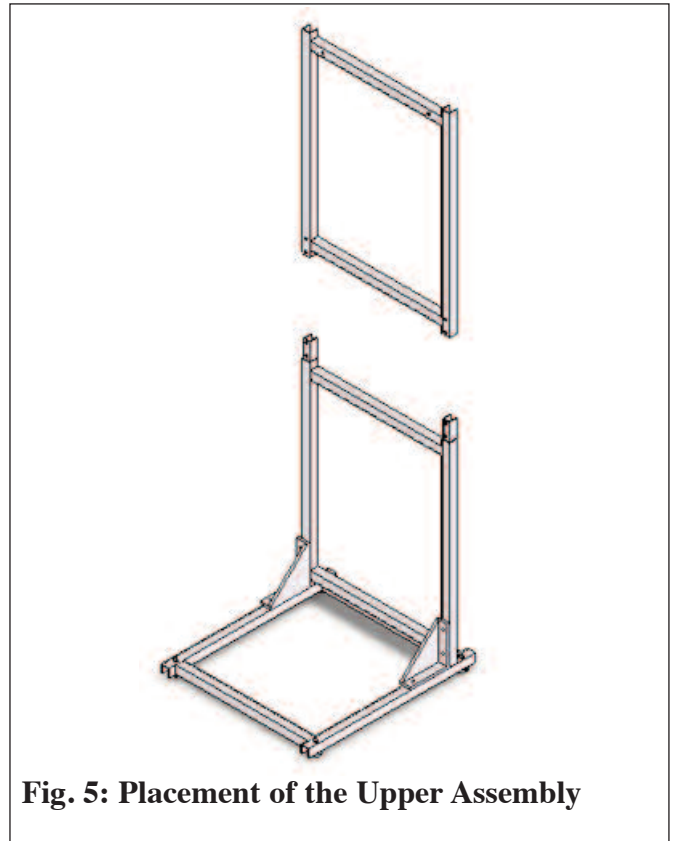
**Fig. 3: : Placement of Lower Assembly**

5. Locate and position the Support, one each side with support flanges facing outwards and align the holes in the Support, Lower Assembly and Base Assembly.



**Fig. 4: Placement of Support Brackets**

6. Locate six 5/16 - 18 x 1" long bolts (provided) and install through the Support to the Lower Assembly and Base Assembly, three bolts per side and tighten using 1/2" wrench.
7. Locate and position the Upper Assembly over the Lower Assembly with open channels facing the same direction and install four 5/16 - 18 x 1" long bolts (provided) through the bottom holes in the Upper Assembly to the Lower Assembly, two bolts per side and tighten using 1/2" wrench.

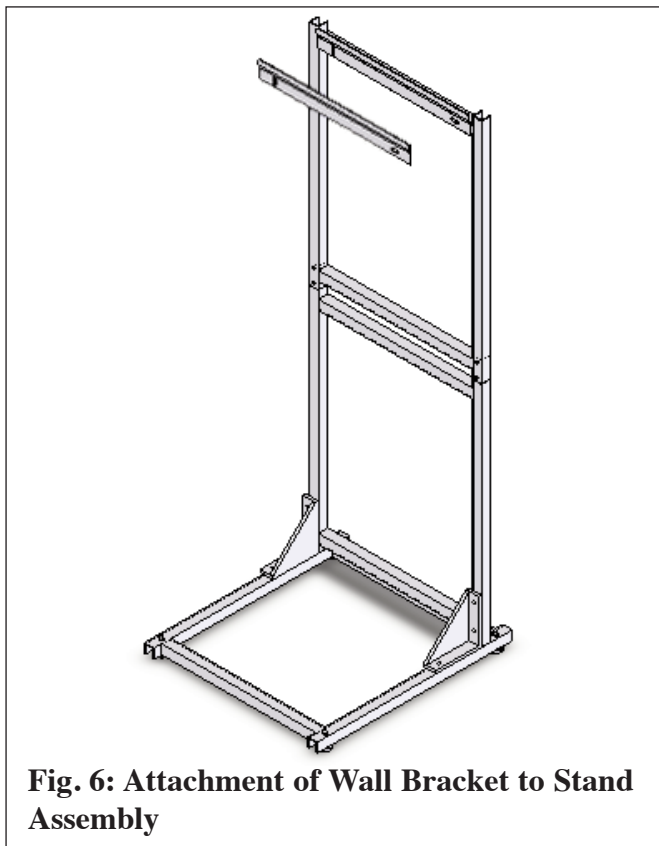


**Fig. 5: Placement of the Upper Assembly**

8. Level stand using the Adjustable Legs and a straight screw driver.

## Wall Bracket Installation

1. Locate the Wall Bracket shown in Fig. 6 and shipped with the appliance.
2. Place the Wall Bracket on the Upper Stand Assembly ensuring the upper edge of the bracket is away from the stand.



3. Insert two 5/16 - 18 x 1" long bolts (provided) through the mounting slots and loosely tighten using 1/2" wrench.
4. Level bracket and tighten bolts securely using 1/2" wrench.

## Appliance Mounting

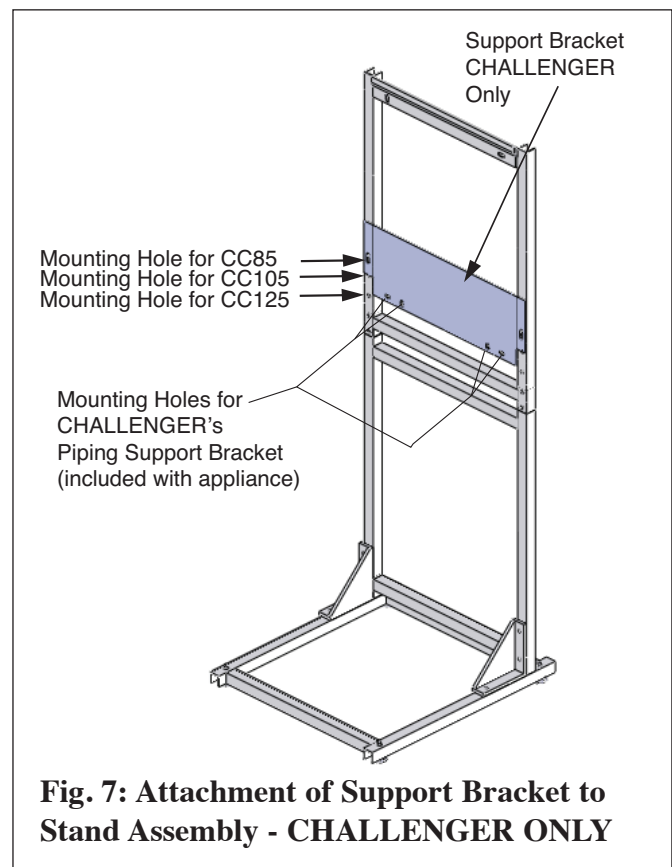


Use extreme care not to drop the appliance or cause bodily injury while lifting or mounting the appliance onto the bracket. Once mounted verify that the appliance is securely attached to the bracket. Failure to comply with the above guidelines could result in property damage, personal injury or death.

1. Obtain assistance in lifting the appliance onto the Wall Bracket.
2. Install the appliance making sure the appliance mounting lip located along the upper edge of the rear jacket panel engages the Wall Bracket. Ensure the appliance is seated properly and is secure.

## Support Bracket Installation - CHALLENGER Only

1. Locate the Support Bracket.
2. Place the Support Bracket on the Upper Stand Assembly as shown in Fig. 7.



3. Insert two 5/16 - 18 x 1" long bolts (provided) through the Support Bracket slots and the mounting holes in the Upper Stand Assembly see Fig. 7 for appropriate hole location.
4. Loosely tighten using nuts (provided).

**NOTICE**

**Install CHALLENGER's piping support bracket on appliance according to the CHALLENGER's Installation Manual before mounting appliance on stand.**

5. Follow Appliance Mounting instructions.
6. Insert two 5/16 - 18 x 1/2" long bolts (provided) through the back side of Support Bracket's bottom slots and the corresponding slots in the CHALLENGER's piping support bracket shipped with the appliance.
7. Loosely tighten using nuts (provided).
8. Level brackets and tighten all four bracket bolts securely using a 1/2" wrench.