

LOGIC HEAT²

12 15 18 24 30kW



Compact cupboard fit



NOx class 6



Integrate with Link remote monitoring solution



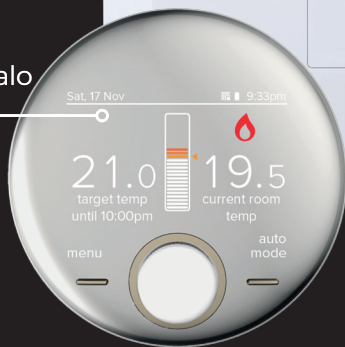
Frost protection



Enhance boiler performance with Halo



Sharp, high resolution screen with clear icons and text descriptions



Features & specification

END USER BENEFITS

- Sharp, high-resolution screen with clear icons and text descriptions
- Award winning range
- Compatible with a wide range of additional controls including our Halo range and weather compensation
- LPG conversion kit available for most kW outputs
- Designed, developed and made in the UK

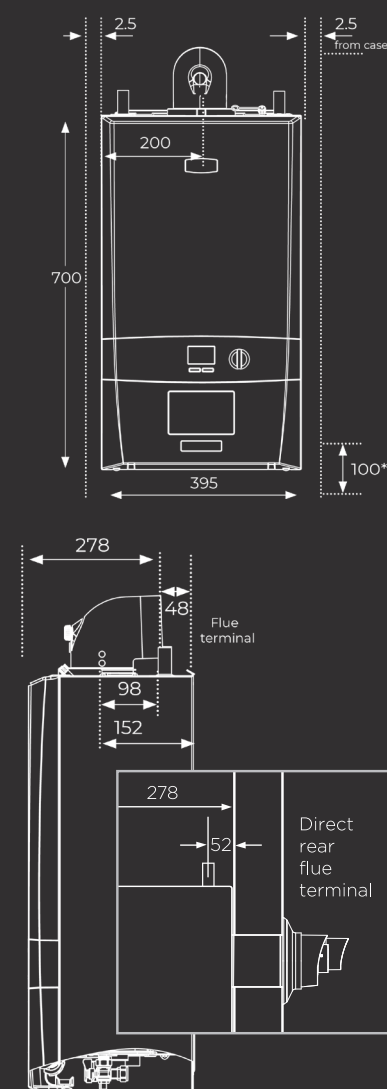
QUALITY & RELIABILITY AS STANDARD

- Low component count maximising reliability
- Honeywell gas valve
- Built in frost protection
- Ideal System Filter compatible

EASY TO INSTALL AND SERVICE

- Wiring centre can accommodate a variety of cable thicknesses including 5-core cable with simple screw bridge clamps for fixation
- Single dual-purpose spark and detection electrode
- Simplified installer menu
- Low minimum head requirement
- QR codes linked to 'how to' videos in the instruction manual

Clearances & dimensions



Dimensions in mm.

Technical specification

LOGIC HEAT ² MODELS	12	15	18	24	30
Weight(Packaged) kg	27	27	27	27	
Max Installation weight kg	21.9	21.9	21.9	21.9	21.9
CH Output(kW) min /max mean 70°C	4.8-12.0	4.8-15.0	4.8-18.0	4.8-24.2	6.1-30.3
CH Output(kW) min /max mean 40°C	5.1-13.0	5.1-15.9	5.1-19.1	5.1-25.6	6.4-31.0
SEDBUK rating (2005)%	91.1	91.2	91.1	91.2	91.1
SEDBUK rating (2009/2012)%	89.4	89.4	89.7	89.7	89.6
NOx Classification	Class 6	Class 6	Class 6	Class 6	Class 6
LPG conversion	No	No	Yes	Yes	Yes
Max Horizontal flue	9m	9m	9m	9m	9m
Max Vertical Flue	7.7m	7.5m	7.5m	7.5m	7.5m
Seasonal space heating efficiency class	A	A	A	A	A
Seasonal space heating energy efficiency μ s %	93	93	94	94	93
Sound power level indoors LWA Db	36	42	44	50	50
Sound power level, indoors LWA dB(A)	36	38	41	47	49

T: 01482 492251 E: ideal@idealheating.com
 Ideal Heating, PO Box 103, National Avenue, Kingston upon Hull, East Yorkshire, HU5 4JN.

Clearances & dimensions notes: **The minimum front clearance when built into a cupboard is 5mm from the cupboard door but 450mm overall clearance with the cupboard door open is required for servicing.
 *Bottom clearance after installation can be reduced to 5mm. However, 100mm is required for servicing.
 **Rear flue option - top clearance 100mm.

