

LOGIC MAX COMBI²

24 30 35 kW



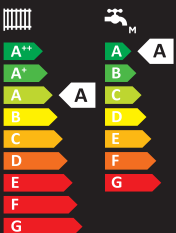
Compact cupboard fit



Compression fitting included



Enhance boiler performance with Halo



Low lift weight



Intelligent pre-heat



Large colour screen and simple user interface



Ideal System Filter included to maintain and protect your heating system



Features & specification

END USER BENEFITS

- Award winning range
- Service indication
- Intelligent pre-heat function
- Large colour screen and simple user interface
- Enhance boiler performance by fitting a Halo thermostat, minimising energy consumption
- LPG conversion kit available for all kW outputs
- Green coloured filling loop handle drives user self-management
- Compatible with green heating technologies including solar thermal and hybrid systems

EASY TO INSTALL

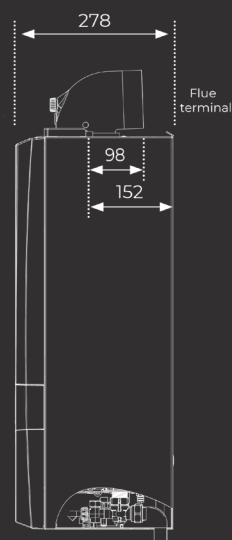
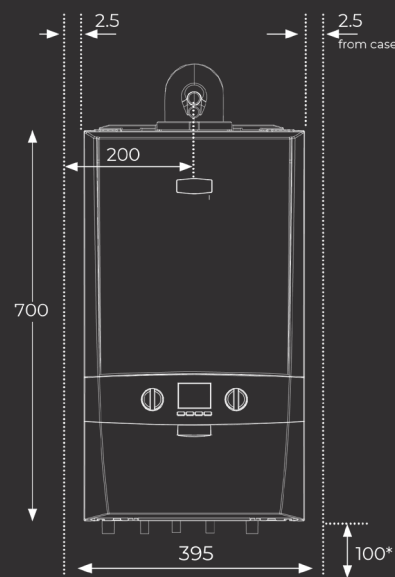
- Honeywell gas valve
- Ideal System Filter included in the box
- Fully labelled and compartmentalised hardware pack
- Wiring centre can accommodate a variety of cable thickness's including 5-core cable with simple screw bridge clamps for fixation
- Designed, developed and made in the UK
- 10 year warranty as standard

- Compact cupboard fit
- Stand-off kit options with and without pipes
- Wide range of flueing options
- Preformed copper tails
- Pre-wired mains lead
- Safety valve outlet pipe included
- Built in filling loop
- Fixed flue turret seal to prevent dislodgement during fitting
- Compression fitting included in the hardware pack
- QR codes linked to 'how to' videos in the instruction manual

EASY TO SERVICE AND MAINTAIN

- Single dual-purpose spark and detection electrode
- Fully serviceable from the front

Clearances & dimensions



Dimensions in mm.

Technical specification

| LOGIC MAX COMBI ² MODELS | 24 | 30 | 35 |
|--|----------|----------|----------|
| Weight(Packaged) kg | 32.8 | 33 | 33 |
| Max Installation weight kg | 28.5 | 28.6 | 28.6 |
| CH Output(kW) min /max mean 70°C | 4.8-24.2 | 6.1-24.2 | 7.1-24.2 |
| CH Output(kW) min /max mean 40°C | 5.1-25.6 | 6.4-25.6 | 7.5-25.6 |
| DHW output (kW) max | 24.2 | 30.3 | 35.3 |
| DHW flow rate l/min 35°C | 9.9 | 12.4 | 14.5 |
| SEDBUK rating (2005)% | 91.1 | 91.1 | 91.1 |
| SEDBUK rating (2009/2012)% | 89.6 | 89.6 | 89.6 |
| NOx Classification | Class 6 | Class 6 | Class 6 |
| LPG conversion | Yes | Yes | Yes |
| Max Horizontal flue | 9m | 8m | 6m |
| Max Vertical Flue | 7.7m | 7.5m | 7.5m |
| Seasonal space heating efficiency class | A | A | A |
| Seasonal space heating energy efficiency μ s % | 94 | 94 | 94 |
| Sound power level indoors LWA dB(A) | 50 | 46 | 46 |
| Water heating energy efficiency class | A | A | A |

T: 01482 492251 E: ideal@idealheating.com

Ideal Heating, PO Box 103, National Avenue, Kingston upon Hull, East Yorkshire, HU5 4JN.

Clearances & dimensions notes: **The minimum front clearance when built into a cupboard is 5mm from the cupboard door but 450mm overall clearance with the cupboard door open is required for servicing. *Bottom clearance after installation can be reduced to 5mm. However, 100mm is required for servicing.

