



ENGINEERING BULLETIN

Subject: Exalt/Gallant Vent Terminations

Date: 7/27/21

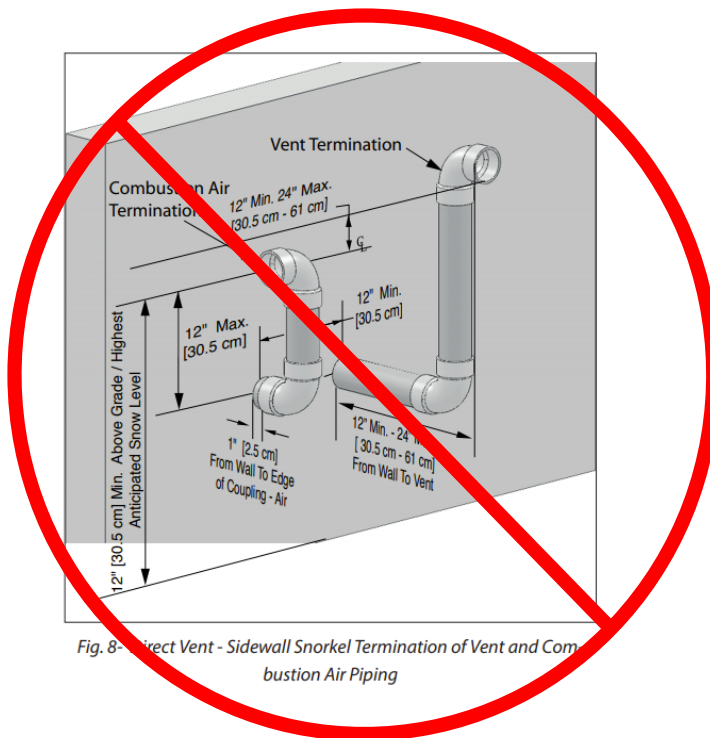
EB0066

The Exalt Vent Guide and Gallant Vent Guide shows multiple installations where the combustion air termination comes out of the sidewall and terminates in the horizontal position (shown in Figs. 8, 12, 13). This should be shown with the combustion air termination with an additional 90° elbow pointing down toward the ground.

The Combustion Air Termination in the horizontal orientation may lead to rainwater getting into the piping under specific weather conditions.

Exalt and Gallant venting termination configurations in figs 8, 12, and 13 are no longer allowed. All affected installations should be adjusted so that the combustion air piping terminates with 180° bend with the intake opening facing the ground using two 90° elbows. The termination must be located 12" [30.5 cm] (18" [45.7 cm] in Canada) above the highest anticipated snow level.

The following terminations configurations are no longer allowed



Ideal USA - 1240 Forest Parkway, Suite 100 - West Deptford, NJ 08066
Tel: 800-411-9999- Fax: 856 228 3584 - e-mail: info@idealusa.com

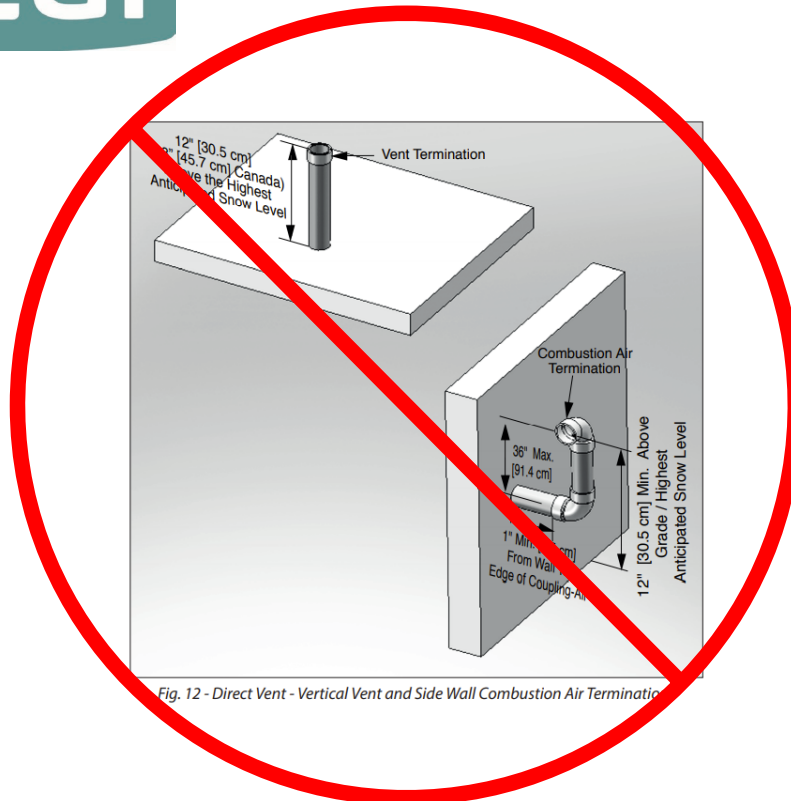


Fig. 12 - Direct Vent - Vertical Vent and Side Wall Combustion Air Termination

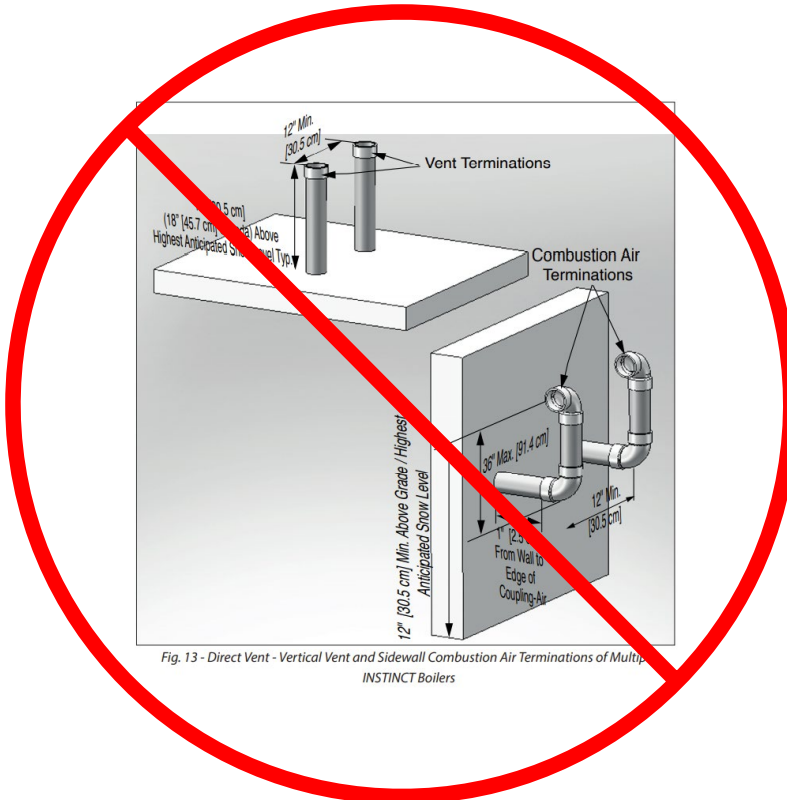


Fig. 13 - Direct Vent - Vertical Vent and Sidewall Combustion Air Terminations of Multiple INSTINCT Boilers

These images are to be replaced with the following images:

Ideal USA - 1240 Forest Parkway, Suite 100 - West Deptford, NJ 08066
Tel: 800-411-9999- Fax: 856 228 3584 - e-mail: info@idealusa.com

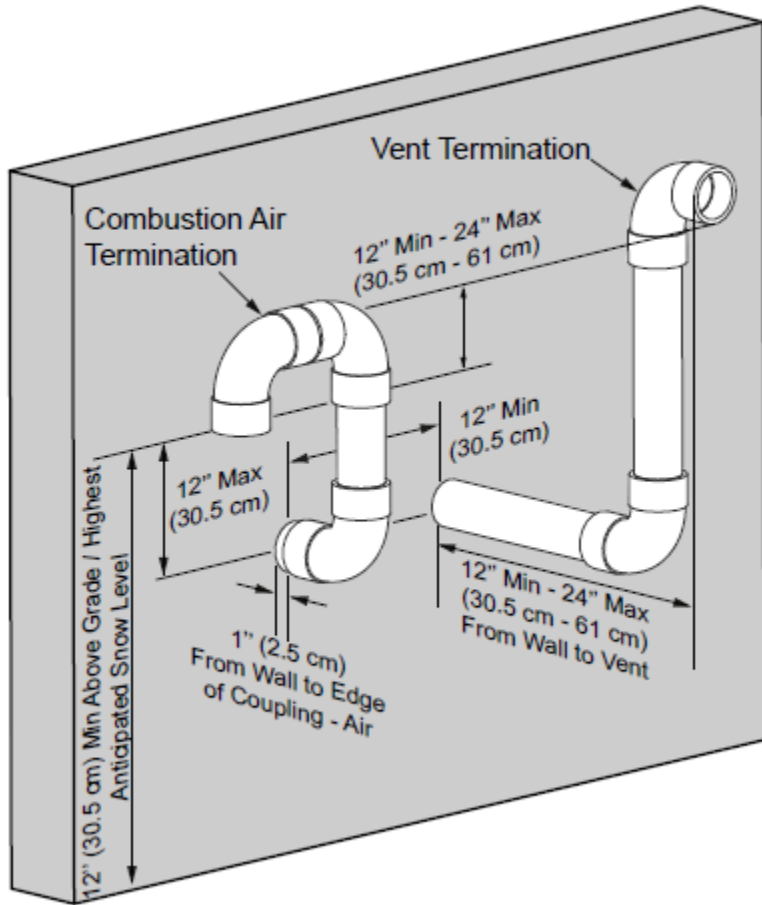


Fig. 8

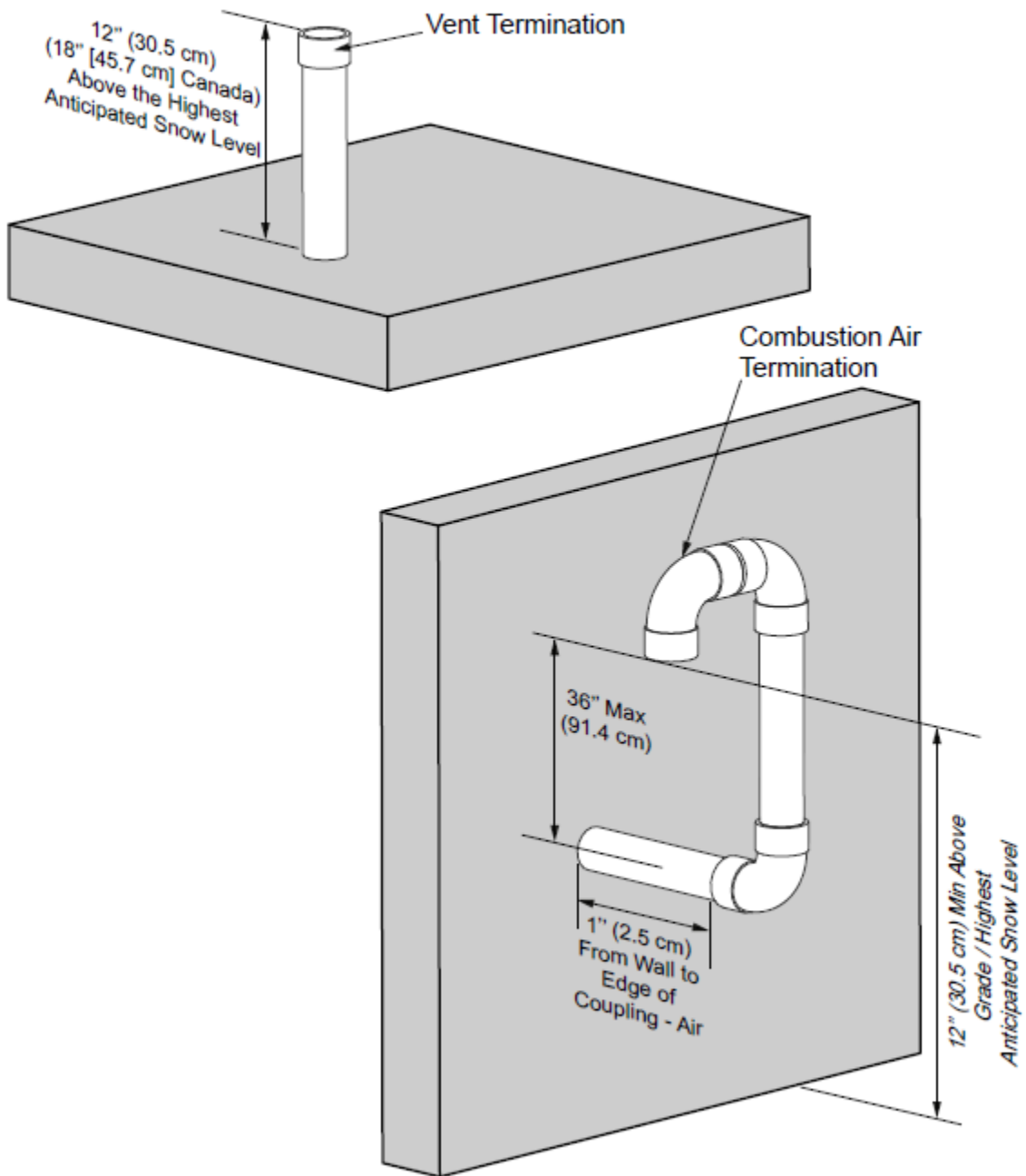


Fig. 12

Ideal USA - 1240 Forest Parkway, Suite 100 - West Deptford, NJ 08066
Tel: 800-411-9999- Fax: 856 228 3584 - e-mail: info@idealusa.com

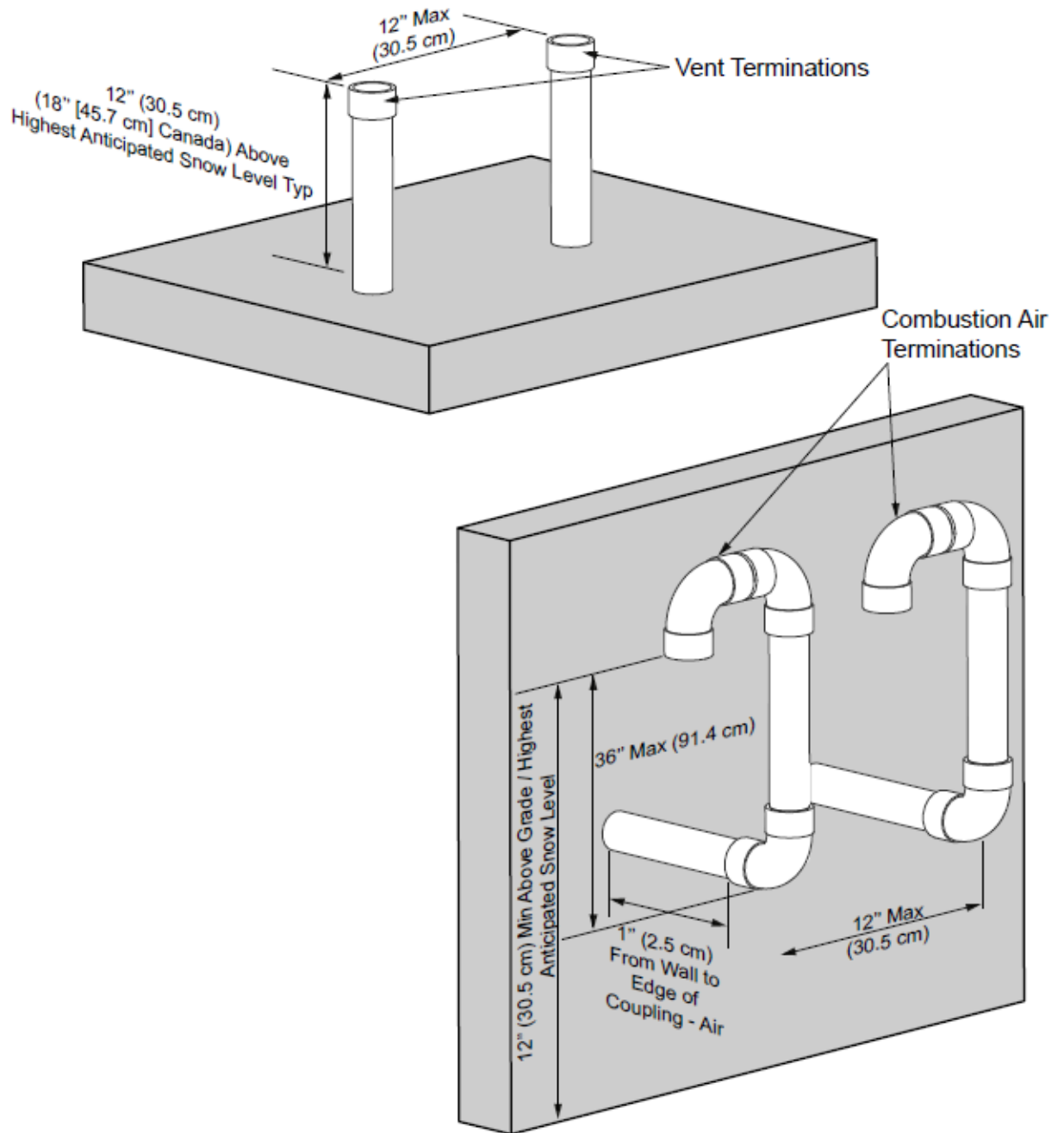


Fig. 13

Please contact technical support at techsupport@idealusa.com or 800-411-9999 x575 with any questions.

Ideal USA - 1240 Forest Parkway, Suite 100 - West Deptford, NJ 08066
Tel: 800-411-9999- Fax: 856 228 3584 - e-mail: info@idealusa.com