

Gas Valve Replacement Kit



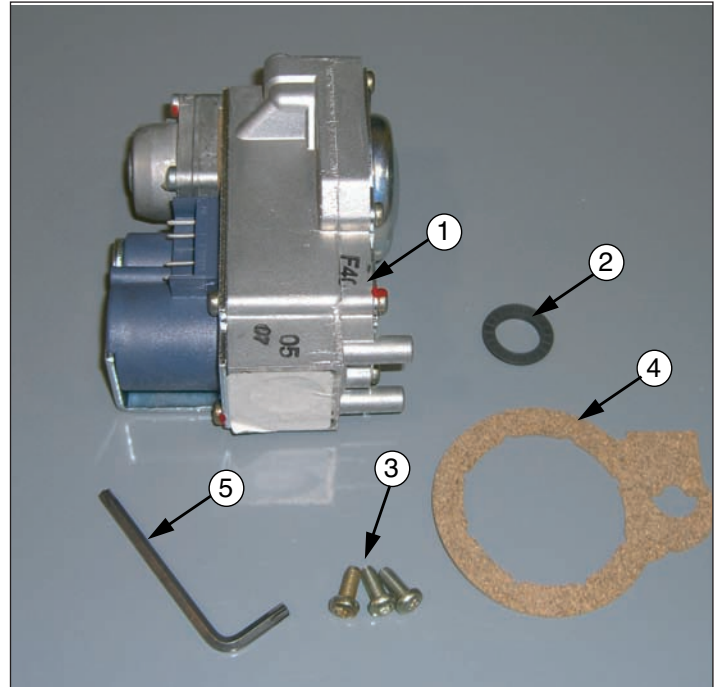
Kit Part Number:PGRKIT01

Parts List

1. Honeywell Gas Valve VK8115V
2. Gas Valve/Orifice Gasket
3. Torx Screws (3 pcs)
4. Venturi/Blower Housing Gasket
5. # 25 Torx Wrench.

Recommended tools:

- A. Pipe Wrench.
- B. Phillips Screw Driver.
- C. Flat Blade Putty Knife.
- D. # 25 Torx Wrench. (Furnished in Kit.)



WARNING

Indicates a potentially hazardous situation which, if ignored, can result in serious injury or substantial property damage.

NOTICE

Indicates special instructions on installation, operation or maintenance, which are important to equipment but not related to personal injury hazards.

WARNING

Failure to follow instructions below can result in severe personal injury or damage if ignored.

- Instructions are for a qualified installer/service technician.
- Read all instructions before proceeding.
- Follow instructions in proper order.

NOTICE

This kit is designed for gas valve replacement on the Delta Performance, Delta Performance Plus, Modulating Delta and Prestige 60, 110, 175, 250 and Prestige Excellence products.

WARNING

For your safety, turn off electrical power supply at service panel before proceeding to avoid possible electrical shock hazard. Failure to do so can cause severe personal injury or death.

Gas Valve Replacement Kit

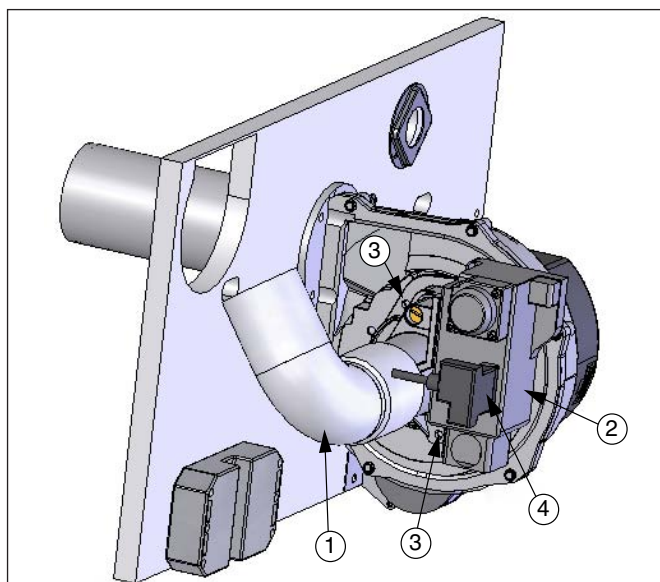
DELTA COMBUSTION HEATER INSTRUCTIONS

1. Turn power to the unit “OFF”.
2. Shut off gas supply to the inlet of the unit at the main manual shutoff valve.
3. Disconnect the gas supply piping to the Combination Heater.
4. Remove air inlet elbow from the venturi. See Fig. 1.
5. Unscrew the Phillips screw attaching the rectifier plug to the gas valve and remove the plug.
6. Remove and save the two Torx screws attaching the venturi/gas valve assembly from the blower housing. Remove the venturi/ gas valve assembly from the blower housing. Use torx wrench supplied in kit to remove screws.

NOTICE

There is a gasket between the venturi and blower housing. If the gasket “sticks” to the blower housing use a flat blade putty knife to remove any gasket material. Make sure not to scratch or score the mating surface on the blower housing.

7. Remove the four screws attaching the 90° gas valve pipe fitting from the inlet of the old valve.
8. Mount the 90° gas valve pipe fitting onto the new gas valve. Use the 4 existing screws to mount the fitting. Ensure the O-ring gasket in the fitting is in place when mounting the fitting and the mounting screws are tight and secure.



1. Air Inlet Elbow
2. Gas Valve
3. Venturi Mounting Screws. Attaching Gas Valve/Venturi to Blower/Housing.
4. Rectifier Plug and Phillips Head Screw

Fig. 1: Delta Burner Assembly

9. Remove the three screws attaching the old gas valve to the venturi. Use torx wrench supplied in kit to remove screws. Note orientation of the venturi on the old gas valve for reassembly of the venturi on the new gas valve.
10. Take the new gas valve, gas valve/orifice gasket and three Torx screws from the kit and reassemble the gas valve to the venturi. See Fig. 2.

WARNING

Make sure the gas valve/orifice gasket is in place before reassembling the gas valve and venturi. Failure to do so can result in death, serious injury or substantial property damage.

Gas Valve Replacement Kit

NOTICE

For propane installations a brass orifice is located inside the gas valve/orifice gasket. This orifice must be placed inside of the new gas valve/orifice gasket before reassembly.

WARNING

Failure to insert the propane brass orifice, on propane installations, before reassembling the gas valve and venturi can result in the production of carbon monoxide due to incomplete combustion and may result in death, serious injury or substantial property damage.

11. With the venturi to blower housing gasket in place reassemble the venturi/gas valve to blower housing using the two mounting screws from step 6.

NOTICE

For the reassembly process do not use adhesive on any gasket surfaces.

12. Reconnect the rectifier plug to the gas valve using the Phillips head screw.
13. Reattach air inlet elbow to the venturi.
14. Using pipe dope compatible with propane gas reconnect the gas supply piping to the Combination Heater.
15. Open the main manual gas shutoff valve. Before placing the Combination Heater unit back into operation check and test all gas connections for leaks. Repair leaks if found.

WARNING

Do not check for gas leaks with an open flame. Use a bubble test. Failure to check for gas leaks can cause severe personal injury, death or substantial property damage.

16. Turn the electrical power ON to the Combination Heater to return the unit back into service.

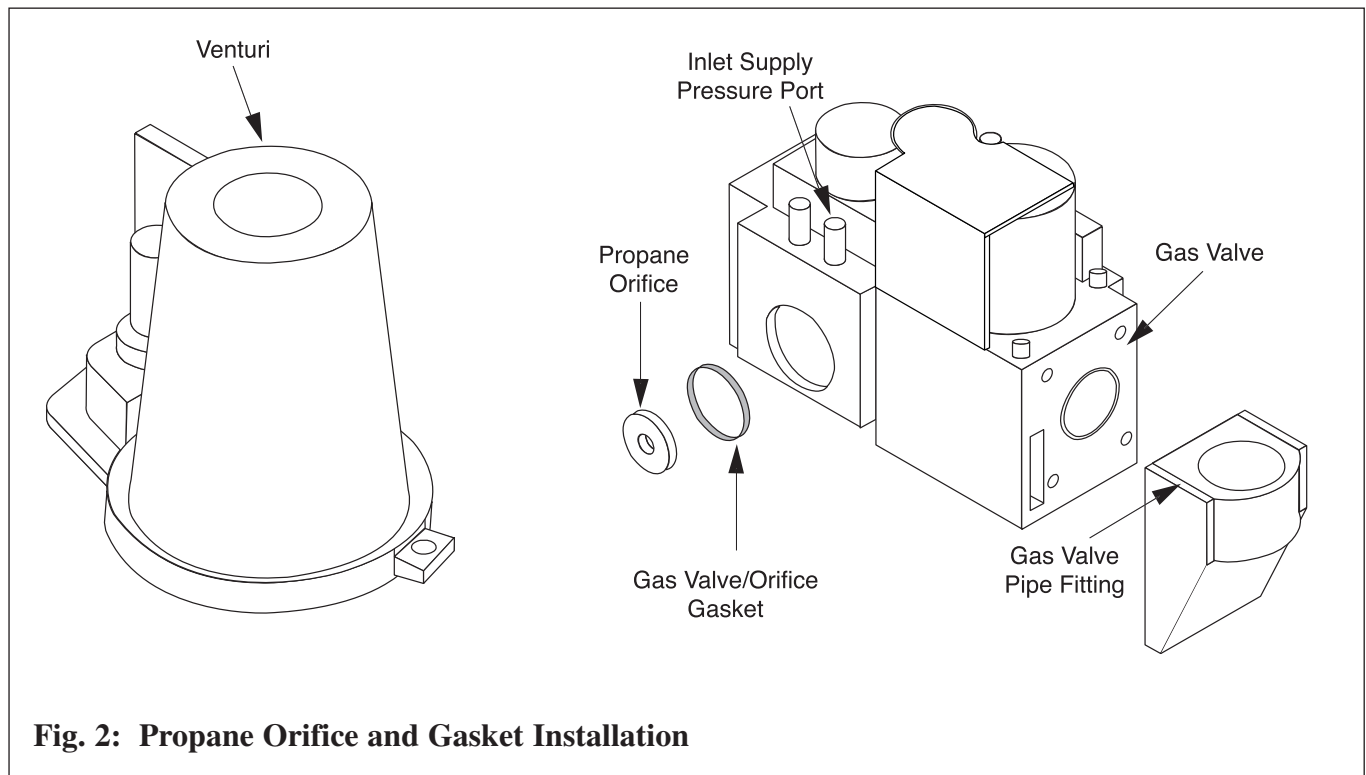
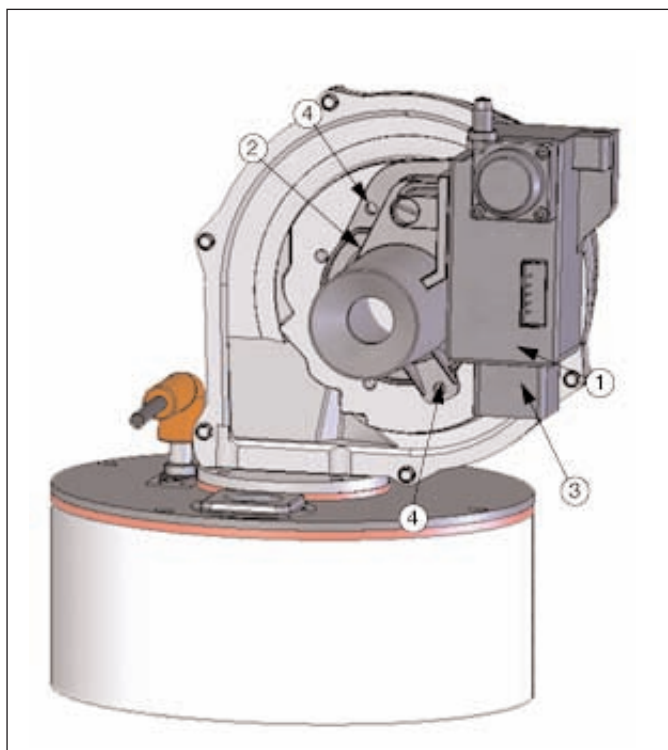


Fig. 2: Propane Orifice and Gasket Installation

Gas Valve Replacement Kit

PRESTIGE BOILER INSTRUCTIONS:

1. Turn power to the unit “OFF”.
2. Shut off the gas supply to the boiler at the main manual shutoff valve.
3. Remove the front jacket panel and swing away the Control Module panel.
4. Remove the air inlet elbow from the venturi.
5. Unscrew the Phillips screw attaching the rectifier plug to the gas valve and remove the plug.
6. Disconnect the gas supply piping inside the PRESTIGE at the brass union located just before the gas valve.



1. Gas Valve
2. Venturi
3. “Straight” Gas Valve Fitting
4. Venturi Mounting screws.
Attaching Gas Valve/Venturi to Blower Housing

Fig. 3: Prestige Burner Assembly

7. Remove and save the two Torx screws attaching the venturi / gas valve assembly from the blower housing. See Fig.3. Remove the venturi / gas valve assembly from the blower housing. Use the Torx wrench supplied in the kit to remove screws.

NOTICE

There is a gasket between the venturi and blower housing. If gasket “sticks” to the blower housing use a flat blade putty knife to remove any gasket material. Make sure not to scratch or score the mating surface on the blower housing.

8. Remove the three screws attaching the gas valve to the venturi. Use Torx wrench supplied in kit to remove screws. Note orientation of the venturi to the old gas valve for reassembly of the venturi on the new gas valve.
9. Remove the four screws attaching the “straight” gas valve fitting from the old gas valve.
10. Remount the “straight” gas valve fitting onto the new gas valve. Use the 4 existing screws to mount the fitting. Ensure O-Ring gasket is in place and all four mounting screws are tight and secure.
11. Reassemble the new gas valve, gas valve/orifice gasket and the three Torx screws from the kit and reassemble the gas valve to the venturi. See Fig. 4.

WARNING

Ensure the gas valve/orifice gasket is in place before reassembling the gas valve and venturi. Failure to do so can result in death, serious injury or substantial property damage.

Gas Valve Replacement Kit

NOTICE

For propane installations a brass orifice is located inside the gas valve/orifice gasket. This orifice must be placed inside of the new gas valve/orifice gasket before reassembly.

WARNING

Failure to insert the propane brass orifice, on propane installations, before reassembling the gas valve and venturi can result in the production of carbon monoxide due to incomplete combustion and may result in death, serious injury or substantial property damage.

12. With the venturi to blower gasket in place, reassemble the venturi / gas valve to the blower housing using the two mounting screws from step 7.

NOTICE

For the reassembly process do not use adhesive on any gasket surface.

13. Reconnect the rectifier plug to the gas valve using the Phillips head screw.

14. Reconnect the brass gas piping union connection. Open the main manual gas shutoff valve before placing the PRESTIGE unit back into operation check and test all gas connections for leaks. Repair leaks if found.

WARNING

Do not check for gas leaks with an open flame. Use a bubble test. Failure to check for gas leaks can cause severe personal injury, death or substantial property damage.

15. Reattach the air inlet elbow to the venturi.

16. Reposition the Control Module panel and reattach the front jacket panel.

17. Turn the electrical power "ON" to the PRESTIGE to return the unit back into service.

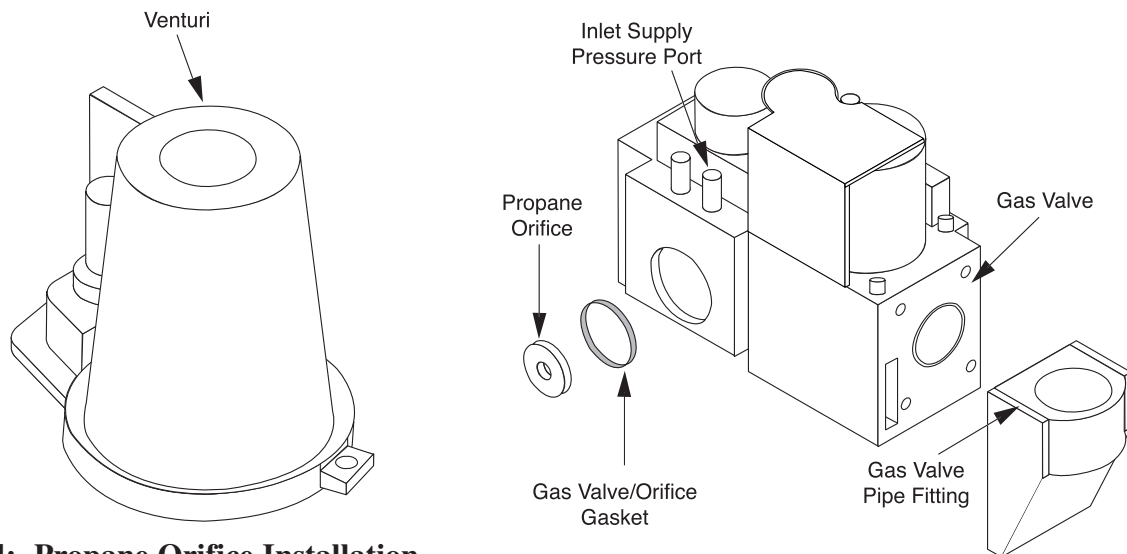


Fig. 4: Propane Orifice Installation

Gas Valve Replacement Kit

COMBUSTION TEST - PRESTIGE

1. It is recommended that the installer perform a complete combustion check to ensure the following combustion levels are met at high and low inputs and the burner is operating at optimum conditions.

	Natural Gas	Propane
O ₂ Min.	2.30%	2.70%
O ₂ Max.	5.30%	4.70%
CO ₂ Min.	8.80%	10.70%
CO ₂ Max.	10.50%	12.00%
CO Max.	100 ppm	100 ppm

WARNING

The combustion testing and adjustments must be performed by a qualified installer, service agency or the gas supplier. All combustion measurements must be performed with calibrated equipment to ensure proper readings and accuracy.

WARNING

Failure to perform a complete combustion test at both high and low input rates may result in incomplete combustion and the production of carbon monoxide, which can cause severe personal injury, death or substantial property damage.

2. Manually place the boiler into high fire mode by pressing the MODE button with “+” button simultaneously on the control panel display while in the standby (STBY) mode.

NOTICE

The control panel will display a H followed by the current boiler temperature when placed into high fire test mode.

If the combustion levels during high fire is outside the recommended combustion settings adjust the THROTTLE SCREW (see Fig. 5) as follows:

Counter-clockwise adjustment of the throttle screw at high fire:

O₂ decreases and CO₂ increases

Clockwise adjustment of the throttle screw at high fire:

O₂ increases and CO₂ decreases

4. Once the combustion level is set at high fire, manually place the boiler into low fire mode by pressing the MODE button with “-” button simultaneously on the control display while in the standby (STBY) mode.

NOTICE

The control panel will display a L followed by the current boiler temperature when placed into low fire test mode.

5. If the combustion level at low fire is not within +/- 0.2% of the combustion level measured at high fire, remove the offset cover screw and adjust the plastic **OFFSET SCREW** using a #25 Hex key (see Fig.5) as follows:

Counter-clockwise adjustment of offset screw at low fire:

O₂ increases and CO₂ decreases

Clockwise adjustment of offset screw at low fire:

O₂ decreases and CO₂ increases

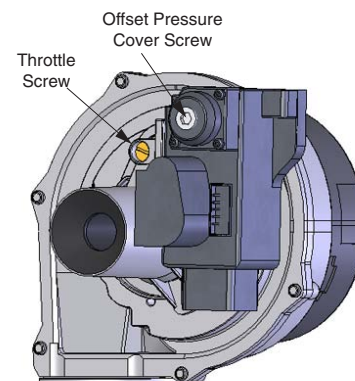


Fig. 5: Combustion Adjustment - Prestige Burner