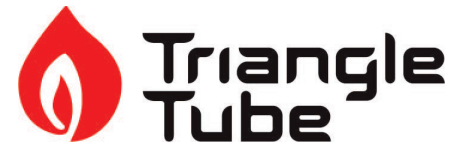


Prestige Blower Replacement



Kit Part Number	Description	Model
PARKIT70	Blower Replacement	Prestige 250
TCRKIT16	Blower Replacement	Prestige 299/399

Each Kit Includes:

- Blower
- Blower Gasket
- Venturi/Blower Gasket
- Blower Screws

Recommended Tools:

- Adjustable Wrenches
- Phillips Head Screwdriver

WARNING

Indicates a potentially hazardous situation which, if ignored, can result in serious injury or substantial property damage.

NOTICE

Indicates special instructions on installation, operation or maintenance, which are important to equipment but not related to personal injury hazards.

WARNING

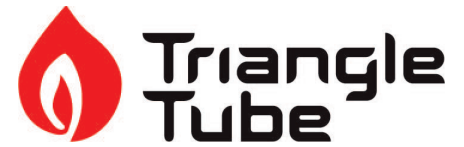
For your safety, turn off electrical power supply at service panel and allow unit to cool before proceeding to avoid possible electrical shock and scald hazard. Failure to do so can cause severe personal injury or death.

WARNING

Failure to follow instructions below can result in severe personal injury or damage if ignored.

- Instructions are for a qualified installer/ service technician only.
- Read all instructions before proceeding.
- Follow instructions in proper order.

Prestige Blower Replacement



1. Preliminary Instructions:

1. Verify that the Blower replacement kit is correct for the model of boiler. See table on page 1.
2. Carefully open and unpack the PARTS BOX from its shipping carton.
3. Carefully remove and check for any damage.

NOTICE

Do not proceed with installation and contact Triangle Tube right away if the blower is damaged in any way.

4. Turn off the electrical power supply to the boiler.
5. Close the manual gas shut off valve to the unit.



Fig. 3: Prestige 250

2. Blower Removal Instructions:

1. Remove the front jacket panel.
2. Disconnect the Molex plugs to the blower.
3. Remove the screws securing the venturi assembly to the blower. Discard the old Venturi/Blower gasket/o-ring.
4. Remove the bolt securing the blower clamp to the burner plate. Do not discard the bolt as it will be reused.
5. Pull off the blower clamp and metal ignition bracket.
6. Remove the old blower from the unit.
7. Do not discard the metal ignition bracket, clamp or rubber flapper from the installation.

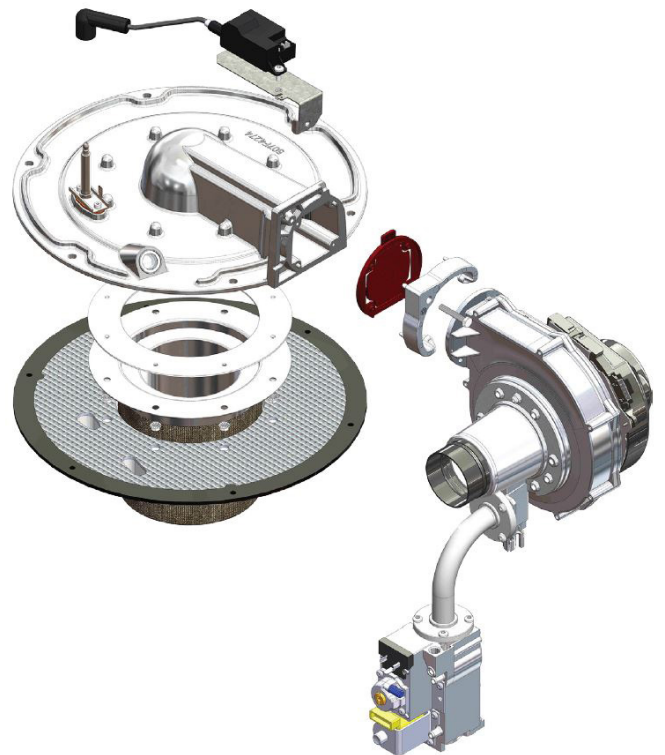


Fig. 4: Prestige 299-399

Prestige Blower Replacement



3. Blower Installation Instructions:

1. Place the new blower on top of the rubber flapper and on the mounting plate tabs to hold it in place.
2. Place the blower clamp and metal ignition bracket on top of the blower flange and install the blower bolt through the metal ignition bracket, blower, rubber flapper and into the burner mounting plate.
3. Ensure the blower is sitting on both mounting plate tabs. Ensure both sides of the clamp are properly seated on the blower. Hand tighten the blower bolt.
4. Tighten the bolt to secure the blower to the top plate to 62-71 in-lbs of torque.



Ensure the blower is properly sealed in order to prevent a gas leak. Gas leaks can result in death, serious injury or substantial property damage.

NOTICE

For the reassembly process do not use adhesive on any gasket surface.

5. Reinstall the new venturi/blower o-ring on the new blower.
6. Screw the venturi to the blower housing using. Make sure all screws are tight to 31-35 in-lbs of torque.



Ensure the o-ring/gasket is in place before reassembly. Failure to do so can result in death, serious injury or substantial property damage.



If the venturi bolts are not properly tight, a gas leak is possible. Any gas leak can result in death, serious injury or substantial property damage.

7. Reconnect the Molex plugs to the blower.
8. Open the main shutoff valve to the gas supply piping. Before placing the boiler back into service check and test all gas piping connections for leaks. Repair leaks if found.
9. Remount the front jacket panel to the unit.
10. Turn power supply to the boiler "ON" and return the unit to service.



Do not check for gas leaks with an open flame. Use a bubble test. Failure to check for gas leaks can cause severe personal injury, death or substantial property damage