
Time Delay Relay Box Kit for Prestige SOLO



Kit Part Number: PSRKIT36

Parts List

1. Time Delay Relay Box
2. 4-Wire Leads
3. 4-Wire Nuts
4. 2-Mounting Screws

WARNING

Indicates a potentially hazardous situation which, if ignored, can result in serious injury or substantial property damage.

NOTICE

Indicates special instructions on installation, operation or maintenance, which are important to equipment but not related to personal injury hazards.

WARNING

For your safety, turn off electrical power supply at service panel and allow unit to cool before proceeding. Failure to do so can cause severe personal injury or death.

WARNING

Failure to follow instructions below can result in severe personal injury or damage if ignored:

- Instructions are for a qualified installer / service technician
- Read all instructions before proceeding
- Follow instructions in the proper order.

Time Delay Relay Box Kit for Prestige SOLO

Instructions:

1. Turn off the electrical power supply to the unit at the service panel.

WARNING

ELECTRICAL SHOCK HAZARD. For your safety, disconnect electrical power supply to the unit before servicing or making any electrical connections to avoid possible electric shock hazard. Failure to do so can cause severe personal injury or death.

2. Remove the front jacket panel from the Prestige SOLO.
3. Remove the 120 volt power wiring from terminals #1, #2, & #3 (SOLO 110) or L, N, & G (SOLO 175 & 250).
4. Remove the cover from the Time Delay Relay Box.
5. Mount the Time Delay Relay Box on a secure surface near the boiler using the mounting screws provided.
6. Connect the power supply wiring to the appropriate wire leads in the Time Delay Relay Box as shown in Figure 1.
7. Connect field wiring to the appropriate wire leads in the Time Delay Relay Box and to the Prestige SOLO terminals #1, #2, & #3 (SOLO 110) or L, N, & G (SOLO 175 & 250) as shown in Fig. 1.
8. Install the front jacket panel on the Prestige SOLO and secure with mounting screws.
9. Install the cover on the Time Delay Relay Box and restore power to the boiler.
10. Measure time from when power is restored until the boiler actually powers up (LED numbers will reappear on the display panel). The Time Delay Relay Box has a delay-on-make timer that delays powering of the boiler for 3 minutes whenever power is lost to the boiler. Timing should be approximately 3 minutes, but no longer than 4 minutes. If the time delay is less than 3 minutes or longer than 4 minutes, contact Triangle Tube Tech Support at (856) 228-8881.
11. Cycle boiler per installation manual.

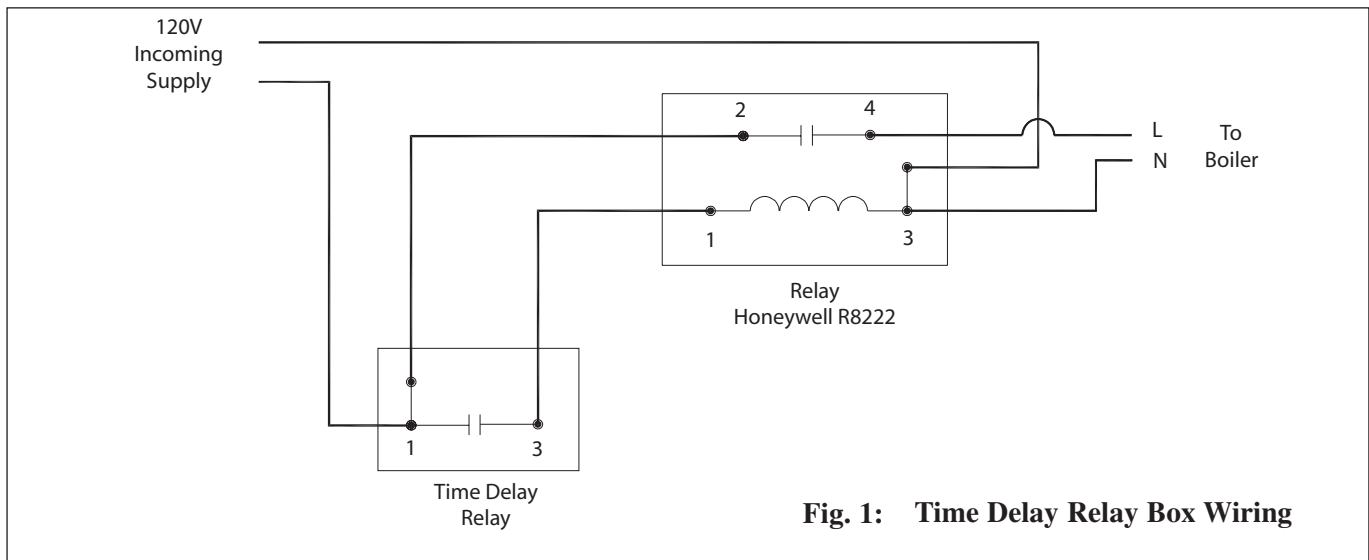


Fig. 1: Time Delay Relay Box Wiring