

Exalt Burner Mounting Plate Replacement



Kit Part Number	Description	Model
EXRKIT14	Burner Plate Replacement	Exalt 110
EXRKIT15	Burner Plate Replacement	Exalt 155 Models
EXRKIT16	Burner Plate Replacement	Exalt 199 Models

Each Kit Includes:

- Burner Mounting Plate
- Combustion Chamber Insulation / Gasket
- Igniter Gasket
- Blower Gaskets

Recommended Tools:

- Adjustable Wrenches
- Phillips Head Screwdriver
- Torx Screwdrivers, T-10, T-20, T-25
- 10 mm Socket and/or 10 mm Open Ended Wrench



Indicates a potentially hazardous situation which, if ignored, can result in serious injury or substantial property damage.



Indicates special instructions on installation, operation or maintenance, which are important to equipment but not related to personal injury hazards.



For your safety, turn off electrical power supply at service panel and allow unit to cool before proceeding to avoid possible electrical shock and scald hazard. Failure to do so can cause severe personal injury or death.



Failure to follow instructions below can result in severe personal injury or damage if ignored.

- **Instructions are for a qualified installer/ service technician only.**
- **Read all instructions before proceeding.**
- **Follow instructions in proper order.**

Exalt Burner Mounting Plate Replacement

1. Preliminary Instructions

1. Verify that the insulation replacement kit is correct for the model of boiler. See table on page 1.
2. Carefully open and unpack the PARTS BOX from its shipping carton.
3. Carefully remove and check for any damage.

NOTICE

Installing damaged insulation/gasket will cause malfunction of the boiler. Contact IdealUSA right away if the insulation/gasket is damaged in any way.

4. Turn off the electrical power supply to the boiler.
5. Close the manual gas shut off valve to the unit.

2. Removal of the old Burner Mounting Plate

1. Turn power to the unit "OFF" and allow unit to cool.
2. Shut off gas supply to the inlet of the unit at the main manual shutoff valve to the unit.
3. Remove front jacket panel on the top of the boiler
4. Disconnect all the wires from the gas valve, blower and igniter.

NOTICE

Mark the proper location of all wires before removing them.

5. Remove the air inlet elbow from the venturi. Leave the elbow attached to the air inlet connection at the top of the boiler.
6. Disconnect the gas supply piping to the venturi. Unscrew the nut on either the venturi or the gas valve. Do not discard the gasket as they will be re-used.
7. Unbolt the bolts securing blower from the burner mounting plate. Discard the blower gaskets. Replacement gaskets and bolts are supplied. Remove the blower/venturi/gas pipe assembly from the boiler.

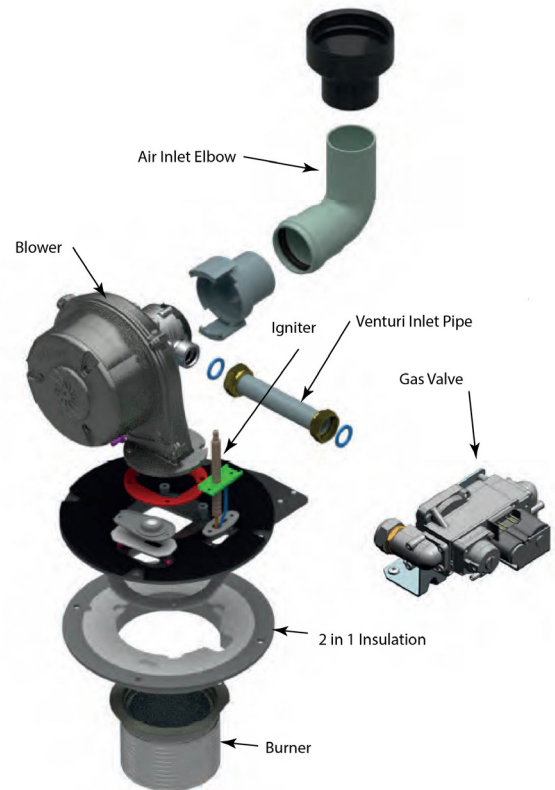


Fig. 1: Exalt 110 Burner Assembly

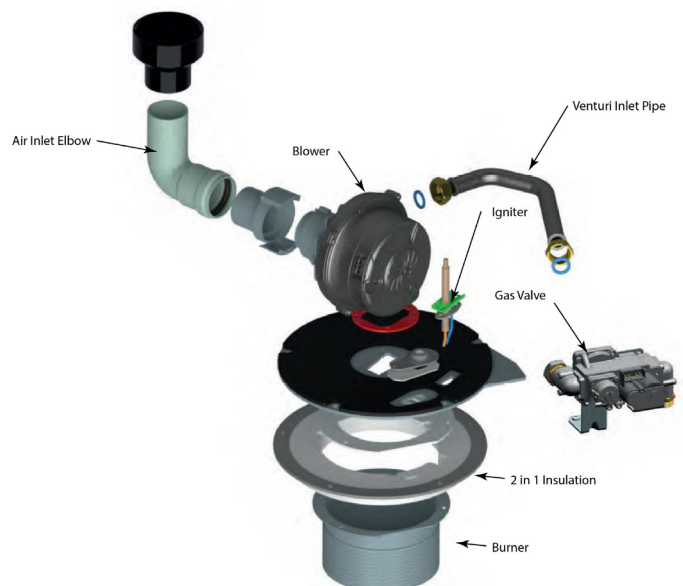


Fig. 2: Exalt 155 Burner Assembly

Exalt Burner Mounting Plate Replacement

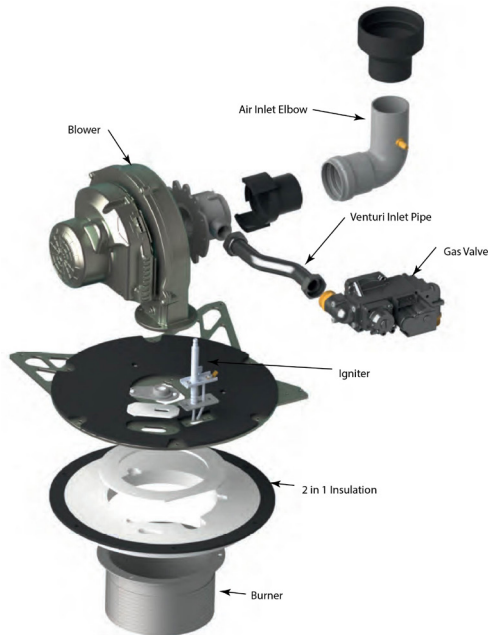


Fig. 3: Exalt 199 Burner Assembly

8. Remove the nuts securing the burning mounting plate to the rear jacket panel. These screws are for shipping protection and can be discarded.
9. Remove the two screws securing the igniter to the mounting plate. Do not discard the screws. The igniter gasket can be discarded as a replacement gasket is supplied. Remove the igniter carefully to ensure it is not damaged.

NOTICE

Ensure to not damage the igniter. Contact IdealUSA right away if the igniter is damaged in any way.

10. Remove the burner plate mounting nuts. Replacement nuts are supplied
11. Remove the burner mounting plate straight up from the heat exchanger body to ensure the insulation is not damaged. Keep the insulation installed in the heat exchanger.
12. Remove the three screws securing the burner head to the bottom of the mounting. Discard the screws and gasket as replacements are supplied.
13. Remove the sight glass and gasket. Do not discard the screws or gasket as they will be reused.

3. Installation of the new mounting plate

1. Install the burner, burner gasket, and screws onto the burner mounting plate. Ensure the flat portion of the burner head is towards the igniter cutout. Tighten the screws to 26.5 to 31 in-lbs of torque.

NOTICE

If the igniter or sightglass cutout are covered in anyway by the burner head, remove and reinstall the burner head so that there is no overlap.

NOTICE

For the reassembly process do not use adhesives on ANY gasket surface.

WARNING

Ensure the gasket is in place before reassembly. Failure to do so can result in death, serious injury or substantial property damage.

2. Carefully reinsert the burner assembly into the heat exchanger body. Align the burner assembly igniter and sightglass cutout with the combustion chamber insulation igniter and sightglass cutout.

NOTICE

Ensure to not damage the insulation block, igniter or burner head during reinstallation. Contact Ideal USA right away any components are damaged in any way.

3. Hand tighten the Burner Plate Mounting Nuts to hold the burner assembly in place. Then using a wrench tighten each nut to 44-53 in-lbs.

WARNING

Do not over tighten. Pinching or tearing of the burner plate gasket may occur causing the possible escape of combustion gases from the combustion chamber resulting in death, serious injury or substantial property damage.

Exalt Burner Mounting Plate Replacement

4. Reinstall the igniter gasket, igniter, and igniter screws. Tighten the screws to 26.5 to 31 in-lbs of torque. Ensure the green grounding cables are connected.
5. Reinstall the sightglass, sightglass gasket and screws onto the mounting plate.
6. Install one new blower gasket, then metal damper, then the second blower gasket onto the burning mounting plate and finally reattach the blower/venturi/gas line assembly to the burner mounting plate. Tighten the blower bolts to 62-71 in-lbs of torque.
8. Reattach the air inlet elbow to the venturi.
9. Re-attach all the wires to the gas valve, blower and igniter.
10. Turn on gas supply to the inlet of the unit at the main manual shutoff valve to the unit. Check and test all gas connections for leaks. Repair leaks if found.



Ensure the gasket is in place before reassembly. Failure to do so can result in death, serious injury or substantial property damage.

7. Reconnect the gas supply piping to the venturi. Ensure the pipe gasket is properly seated before tightening the nut.



Ensure the gasket is in place before reassembly. Failure to do so can result in death, serious injury or substantial property damage.



Do not check for gas leaks with an open flame. Use a bubble test. Failure to check for gas leaks can cause severe personal injury, death or substantial property damage.

11. Turn power to the unit "ON". The unit is now ready to be placed back into service.