

Exalt Venturi Replacement Kit



Kit Part Number	Description	Model
EXRKIT07	NG Venturi Replacement	Exalt 110
EXRKIT08	LP Venturi Replacement	Exalt 110
EXRKIT09	NG Venturi Replacement	Exalt 155
EXRKIT10	LP Venturi Replacement	Exalt 155
EXRKIT11	NG Venturi Replacement	Exalt 199
EXRKIT12	LP Venturi Replacement	Exalt 199

Each Kit Includes:

- (1) Venturi
- Venturi/blower O Ring
- Venturi Gasket
- Venturi/Blower Screws
- Gas Pipe Gaskets

Recommended Tools:

- Adjustable Wrenches
- 10 mm Wrench
- Calibrated Combustion Analyzer



Indicates a potentially hazardous situation which, if ignored, can result in serious injury or substantial property damage.



Indicates special instructions on installation, operation or maintenance, which are important to equipment but not related to personal injury hazards.



For your safety, turn off electrical power supply at service panel and allow unit to cool before proceeding to avoid possible electrical shock and scald hazard. Failure to do so can cause severe personal injury or death.



Failure to follow instructions below can result in severe personal injury or damage if ignored.

- **Instructions are for a qualified installer/ service technician only.**
- **Read all instructions before proceeding.**
- **Follow instructions in proper order.**

Exalt Venturi Replacement Kit

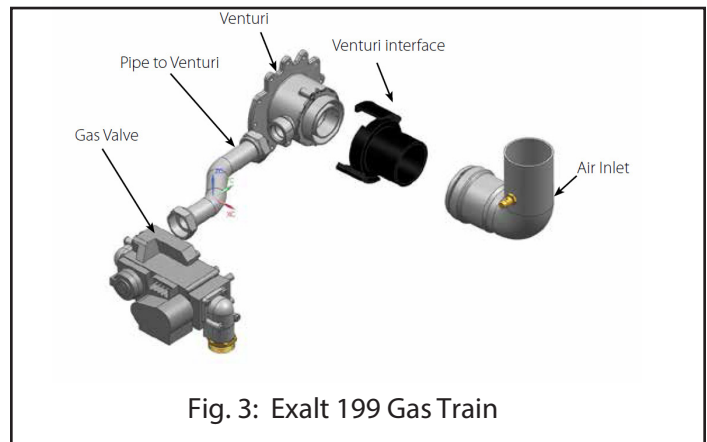
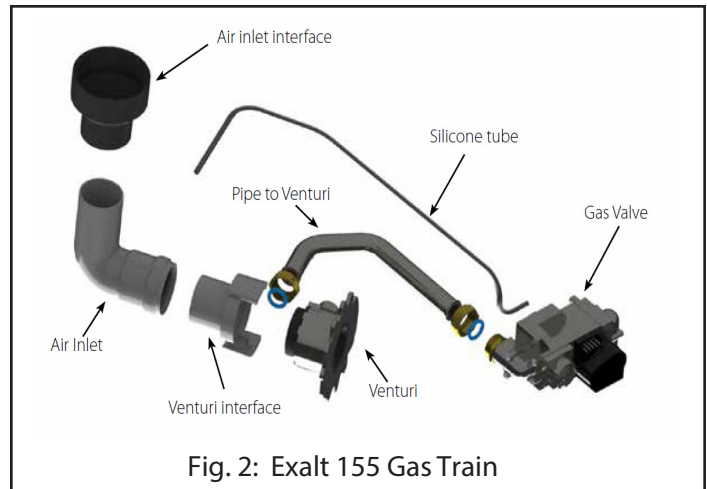
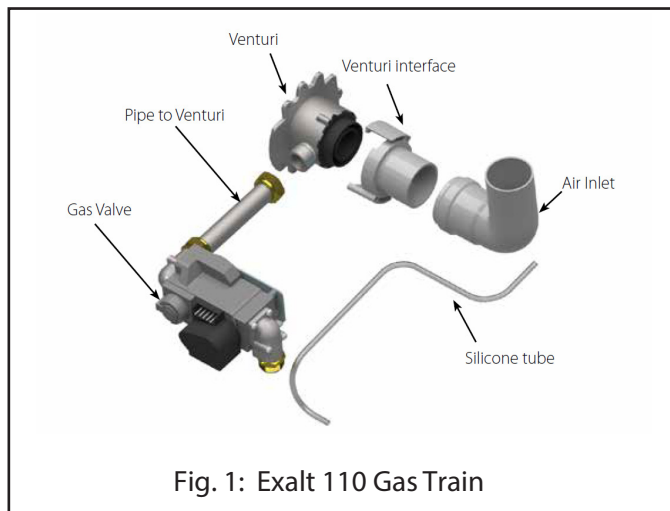


1. Preliminary Instructions:

1. Verify that the venturi replacement kit is correct for the model of boiler. See page 1.
2. Turn off electrical power supply to the boiler.
3. Close the manual gas shut off valve to the unit.
4. Remove the front panel of the Exalt by removing the screw along the bottom edge of the unit. Pull the bottom of the panel forward and then lift to remove the front panel from the unit.
5. Using a voltmeter ensure there is no electrical power to the boiler by checking for power on the boiler's high voltage terminals L and N.



ELECTRICAL SHOCK HAZARD
Ensure power to the boiler has been disconnected prior to servicing the unit.



2. Removal of old Venturi

1. Remove the silicone tube from the air inlet elbow, then remove the air inlet elbow.
2. Rotate the venturi interface approximately 60° clockwise to release the clamping mechanism and remove the venturi interface. Discard the gasket between the venturi and venturi interface.
3. Remove the gas valve to venturi pipe by loosening the nuts at both ends of the pipe with an adjustable wrench.
4. Remove and dispose of the gasket installed at both ends of the gas valve to venturi pipe. These gaskets must be removed and replaced with new gaskets.
5. Using a 10 mm wrench, remove the three (3) bolts securing the venturi to the fan assembly and remove the venturi from the unit.

Exalt Venturi Replacement Kit



6. Remove and dispose of Blower/Venturi O-ring

3. Installation venturi

1. Verify the threaded connection for the gas piping is in the correct orientation for re-fitting the gas pipe.
2. Install the new Blower/Venturi O-ring into the blower.



Failure to install the new O-ring gasket between the venturi and the blower will cause an improper seal resulting in a potential risk of a gas leak. A gas leak can result in substantial property damage, serious injury, or death.



Ensure the proper venturi for the model is installed. Failure to comply will affect input rate and combustion of the boiler which can result in substantial property damage, serious injury, or death.



Do not use adhesive on any gaskets or O-rings during the re-assembly process.

3. Using a 10 mm socket and ratchet, reinstall the three (3) bolts securing the venturi to the fan assembly
4. Reassemble the gas valve to venturi pipe to the gas valve and venturi taking care to ensure that the new gaskets are seated properly before tightening the nut.



Failure to install the new gas pipe gasket between the venturi and the gas valve will cause an improper seal resulting in a potential risk of a gas leak. A gas leak can result in substantial property damage, serious injury, or death

5. Install the new gasket and install the venturi interface on the venturi and rotate counterclockwise until locked into place.

6. Install the air inlet elbow then attach the silicone tube.



Failure to properly install the air inlet elbow and attach the silicone tube will affect combustion of the boiler which can result in substantial property damage, serious injury, or death.

7. Open the manual gas shut off valve to the unit. Before placing the boiler back into operation, test all gas connections for leaks and repair if leaks are found.



Do not check for gas leaks with an open flame. Use a bubble test. Failure to test for gas leaks can result in substantial property damage, serious injury, or death.

4. Combustion Test and Adjustments



The installer MUST perform a complete combustion check to ensure the following combustion levels are met at high and low input firing rates and the burner is operating at optimum conditions.



The combustion testing and adjustments must be performed by a qualified installer, service agency or the gas supplier. All combustion measurements must be performed with calibrated equipment to ensure proper readings and accuracy.



Failure to perform a complete combustion test at both high and low input rates may result in incomplete combustion and the production of carbon monoxide, which can cause severe personal injury, death or substantial property damage.

Exalt Venturi Replacement Kit



1. Touch simultaneously on the up and down soft keys for 3 seconds to access the functions for the installer. See Fig. 4.

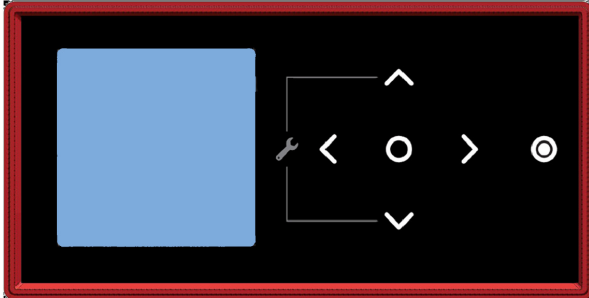


Fig. 4: CTRLMax Navigation Control

2. Enter the installer access code "054" by using the LEFT and RIGHT buttons to select a digit and the UP and DOWN buttons to change the digit. Press the CENTER button to enter the access code.
3. Press the RIGHT button to highlight the Manual Operation icon then press the CENTER button.

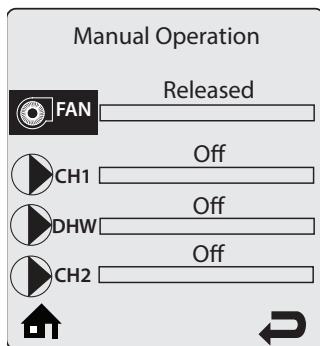


Fig. 5: CTRLMax Manual Operation

4. Press the CENTER button while the FAN icon is highlighted to manually fire the burner and power the CH circulator. See Fig. 5

NOTICE

An adequate CH load must be present to dissipate the heat generated during the combustion test. If an adequate CH load is not available, an indirect water heater can be used to dissipate the heat by creating a DHW call which will enable the DHW circulator.

5. Press the RIGHT button to adjust the firing rate to 100% (high fire). Hold down the RIGHT button to

rapidly increase the firing rate.

6. If the combustion levels during high fire are outside the recommended combustion settings (see Table 1), adjust the THROTTLE SCREW (see Fig. 6) using a flat-blade screwdriver as follows:

Counter-clockwise adjustment of the THROTTLE SCREW at High Fire (100% firing rate):

O₂ decreases and CO₂ increases

Clockwise adjustment of the THROTTLE SCREW at High Fire (100% firing rate):

O₂ increases and CO₂ decreases

7. Once the combustion level is set at high fire, manually place the boiler into low fire mode by pressing the LEFT button to adjust firing rate down to 1% (low fire).
8. If the combustion level (O₂ or CO₂) during low fire is not are outside the recommended combustion settings in Table 1 contact Ideal USA Technical Support.
9. Press the CENTER button while the fan icon is highlighted to shutdown the burner.
10. Press the LEFT or RIGHT button to highlight the home screen icon to exit the service mode.
11. Replace the front panel and put the boiler back into operation.

Exalt Venturi Replacement Kit



Table 1: Combustion Settings

		Natural Gas 110, 155	Natural Gas 199	Propane 110, 155	Propane 199
HIGH FIRE	CO2 Range	9.0 to 10.5%	8.5 to 10.5%	10.0 to 11.0%	
	CO2 Target	9.50%		10.80%	
	O2 Range	4.85 to 2.15 %	5.75 to 2.15 %	5.7 to 4.2 %	
	O2 Target	3.95%		4.50%	
	CO Max	<150 ppm @ 9.5% CO2		<200 ppm @ 10.8% CO2	
LOW FIRE	CO2 Range	9.0 to 10.0 %	8.5 to 10.0 %	10.0 to 11.0 %	
	CO2 Target	9.5%	9%	10.8%	10.4%
		Target values are equivalent to High Fire values, ensure CO ₂ values measured are less than or equal to High Fire CO ₂ measurements		Target values are equivalent to High Fire values, ensure CO ₂ values measured are less than or equal to High Fire CO ₂ measurements	
	O2 Range	4.85 to 3.0 %	5.75 to 3.0 %	5.7 to 4.2 %	
	O2 Target	3.95%	4.85%	4.5%	5.1%
		Target values are equivalent to High Fire values, ensure O ₂ values measured are higher than or equal to High Fire O ₂ measurements		Target values are equivalent to High Fire values, ensure O ₂ values measured are higher than or equal to High Fire O ₂ measurements	
	CO Max	10 ppm		10 ppm	

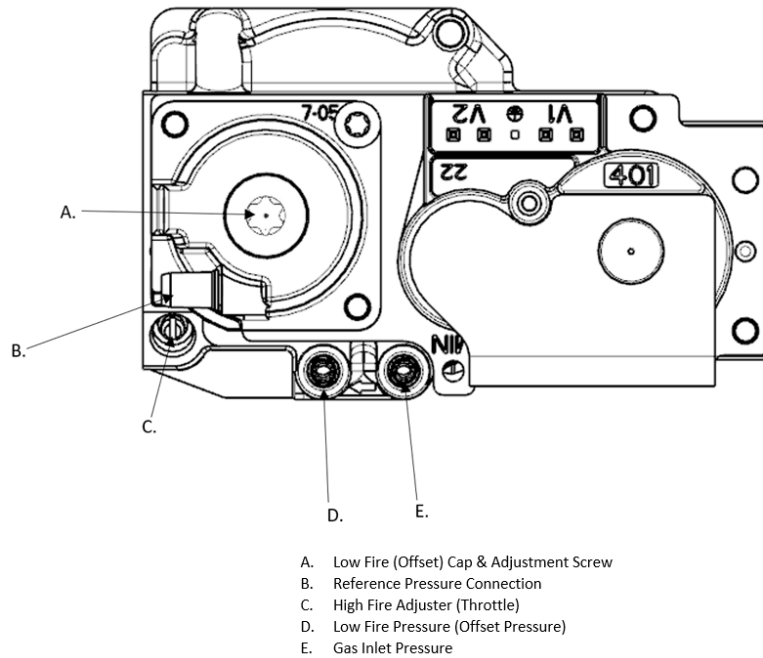


Fig. 6: Throttle Screw Location