

# Exalt Blower Replacement



Kit Part Number	Description	Model
EXRKIT04	Blower Replacement	Exalt 110, 155 Models
EXRKIT05	Blower Replacement	Exalt 199 Models

### Each Kit Includes:

- Blower
- Blower Gasket
- Venturi/Blower O-ring
- Blower Bolts

### Recommended Tools:

- 8 mm & 10 mm Wrenches
- Phillips Head Screwdriver

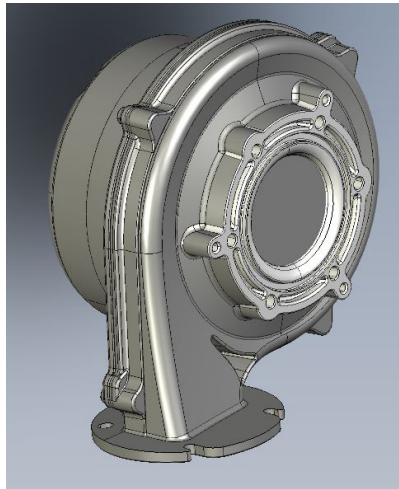


Fig. 1: Exalt 110-155 Blower

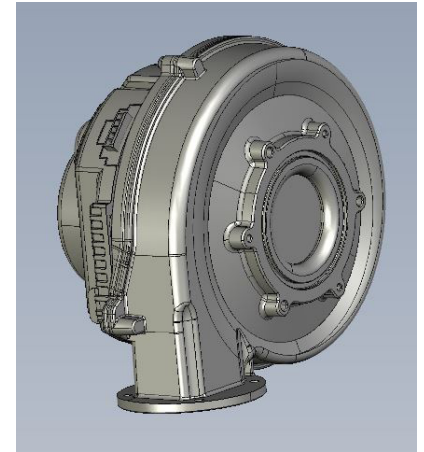


Fig. 2: Exalt 199 Blower

### **WARNING**

Indicates a potentially hazardous situation which, if ignored, can result in serious injury or substantial property damage.

### **NOTICE**

Indicates special instructions on installation, operation or maintenance, which are important to equipment but not related to personal injury hazards.

### **WARNING**

For your safety, turn off electrical power supply at service panel and allow unit to cool before proceeding to avoid possible electrical shock and scald hazard. Failure to do so can cause severe personal injury or death.

### **WARNING**

Failure to follow instructions below can result in severe personal injury or damage if ignored.

- Instructions are for a qualified installer/ service technician only.
- Read all instructions before proceeding.
- Follow instructions in proper order.

# Exalt Blower Replacement



## 1. Preliminary Instructions:

1. Verify that the Blower replacement kit is correct for the model of boiler. See table on page 1.
2. Carefully open and unpack the PARTS BOX from its shipping carton.
3. Carefully remove and check for any damage.

### NOTICE

*Do not proceed with installation and contact IdealUSA right away if the blower is damaged in any way.*

4. Turn off the electrical power supply to the boiler.
5. Close the manual gas shut off valve to the unit.

## 2. Blower Removal Instructions:

1. Turn power to the unit "OFF".
2. Shut off gas supply to the boiler at the main manual shutoff valve.
3. Remove the front jacket panel.
4. Disconnect the Molex plugs to the blower.
5. Remove the 10 mm bolts securing the venturi assembly to the blower. Discard the old venturi/Blower gasket/o-ring.
6. Remove the four 8 mm bolts securing the blower to the burner plate. Do not discard the bolts as they will be reused.
7. Remove the blower from the unit.
8. Replace the top gasket between the blower and the metal damper plate with the new gasket in the kit. Do not remove the metal damper plate or lower gasket.

## 3. Blower Installation Instructions:

1. Place the new blower gasket on top of the metal damper plate.

2. Place the new blower on top of the rubber gasket. Ensure the bolt holes line up.
3. Tighten the four bolts to secure the blower to the top plate to 26.5 in-lbs of torque.



**If the blower bolts are not properly tight, a gas leak is possible. Any gas leak can result in death, serious injury or substantial property damage.**



*For the reassembly process do not use adhesive on any gasket surface.*

4. Install the new venturi/blower o-ring on the new blower.
5. Bolt the venturi to the blower housing using. Make sure all bolts are tight to 44.5 in-lbs of torque.



**Ensure the o-ring/gasket is in place before reassembly. Failure to do so can result in death, serious injury or substantial property damage.**



**If the venturi bolts are not properly tight, a gas leak is possible. Any gas leak can result in death, serious injury or substantial property damage.**

6. Reconnect the Molex plugs to the blower.
7. Open the main shutoff valve to the gas supply piping. Before placing the boiler back into service check and test all gas piping connections for leaks. Repair leaks if found.
8. Remount the front jacket panel to the unit.
9. Turn power supply to the boiler "ON" and return the unit to service.

# Exalt Blower Replacement



Do not check for gas leaks with an open flame. Use a bubble test. Failure to check for gas leaks can cause severe personal injury, death or substantial property damage

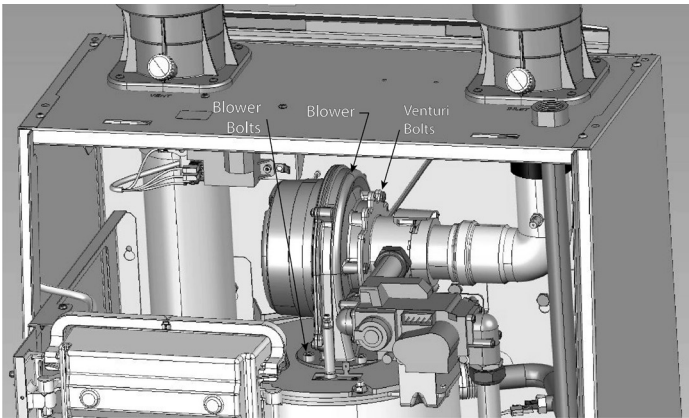


Fig. 3: Exalt 110 Wall Hung

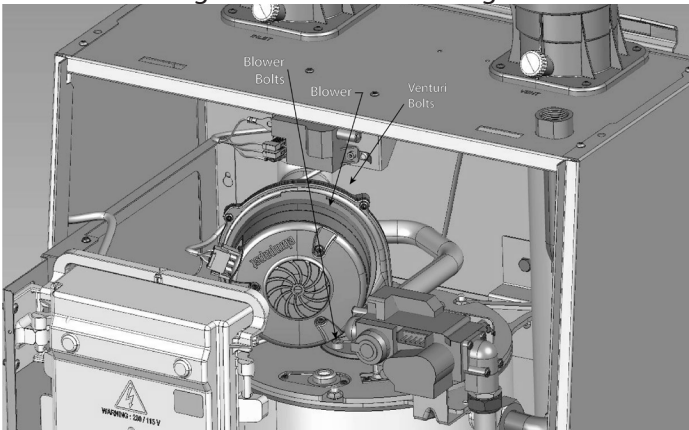


Fig. 4: Exalt 155 Solo and Combi Wall Hung

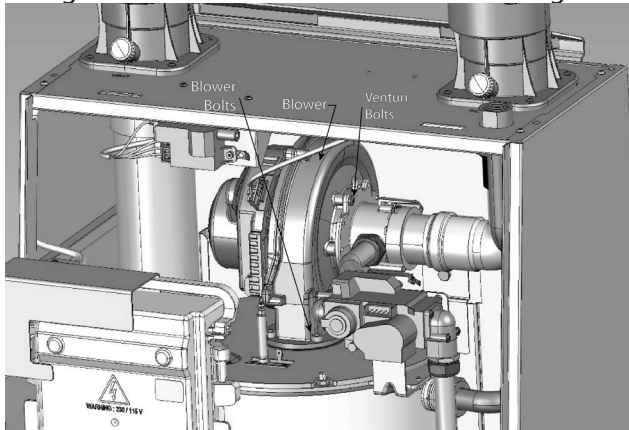


Fig. 5: Exalt 199 Solo and Combi Wall Hung

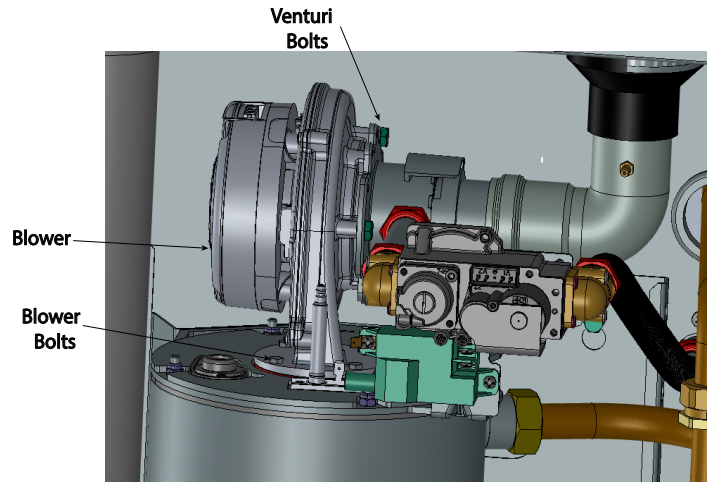


Fig. 6: Exalt 110 Floor Standing Boiler

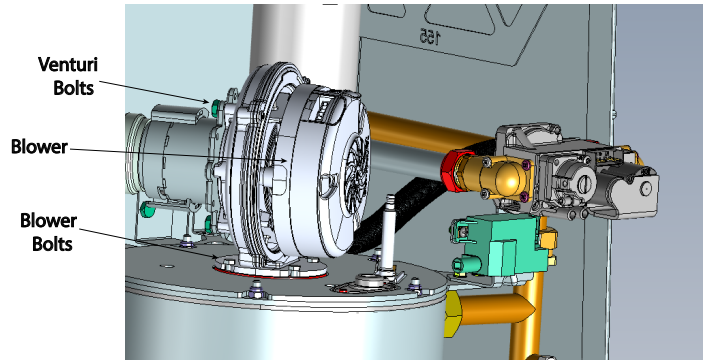


Fig. 7: Exalt 155 Solo and Combi Floor Standing Boiler

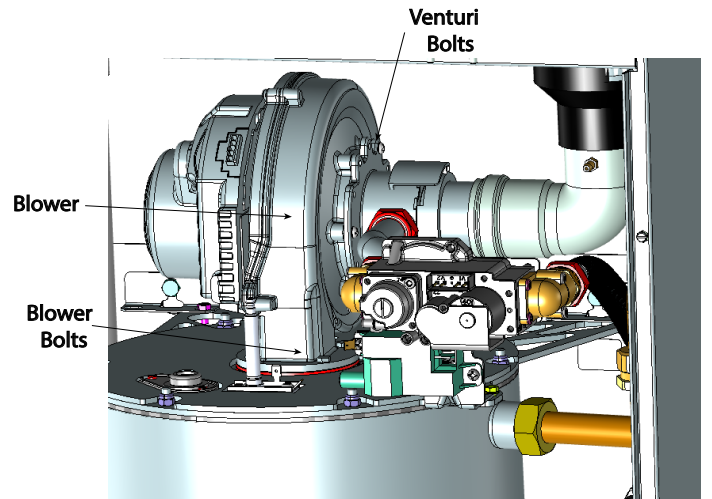


Fig. 8: Exalt 199 Solo and Combi Floor Standing Boiler