

---

# Keystone Outdoor Temperature Sensor Kit

---



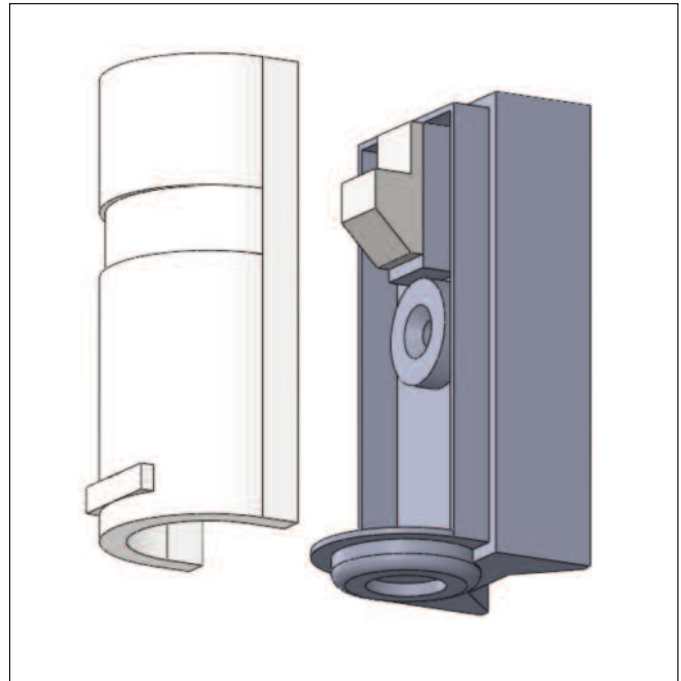
**Kit Part Number:**

**Parts List**

1. Outdoor Temperature Sensor
2. Panel Bushing

**Recommended tools:**

- Phillips Screw Driver.



**⚠ WARNING**

Indicates a potentially hazardous situation which, if ignored, can result in serious injury or substantial property damage.

**NOTICE**

Indicates special instructions on installation, operation or maintenance, which are important to equipment but not related to personal injury hazards.

---

**⚠ WARNING**

For your safety, turn off electrical power supply at service panel before proceeding to avoid possible electrical shock hazard. Failure to do so can cause severe personal injury or death.

**⚠ WARNING**

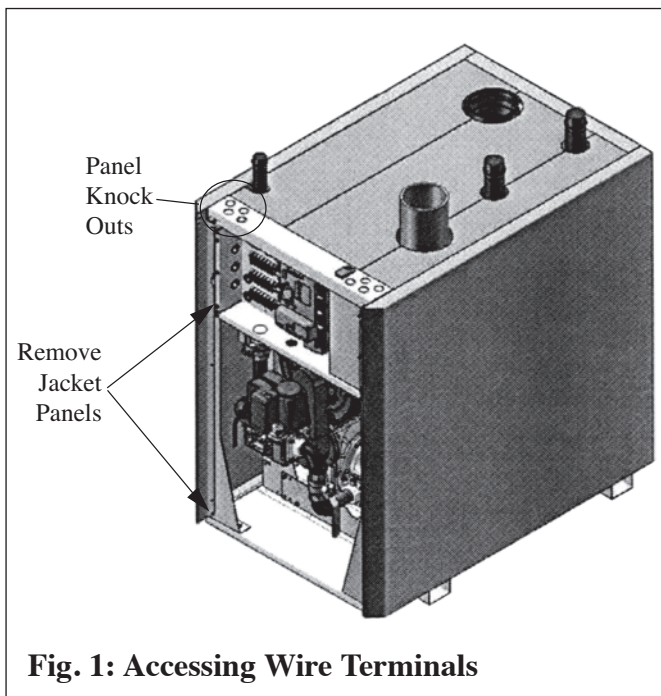
Failure to follow instructions below can result in severe personal injury or damage if ignored.

- Instructions are for a qualified installer/ service technician.
- Read all instructions before proceeding.
- Follow instructions in proper order.

# Keystone Outdoor Temperature Sensor Kit

## Instructions

1. Turn power to the unit “OFF”.
2. Remove the front jacket panel and control access cover plate from the boiler.
3. Remove knock out from top left side of the control panel. See Figure 1.
4. Install Panel bushing in the panel knockout.



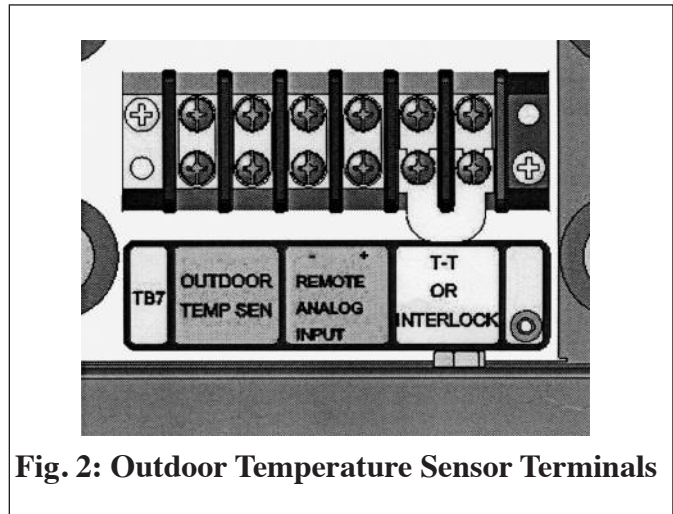
**Fig. 1: Accessing Wire Terminals**

5. Insert sensor wiring through bushing and into control panel.
6. Connect a wire end to each of the terminals labeled “Outdoor Temp Sensor”.
7. Route wire from the boiler to the outdoor sensor location.

### **NOTICE**

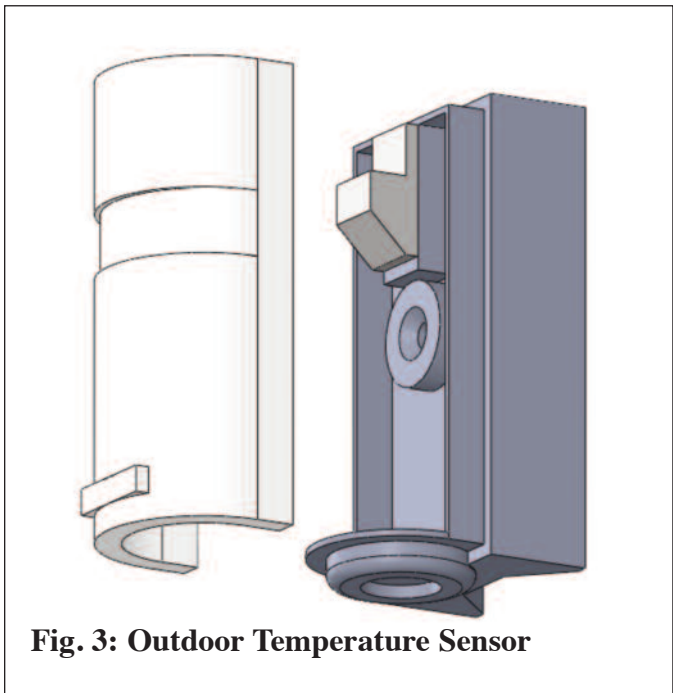
**The maximum allowable length of the sensor wire:**

**22 AWG = 100FT  
18 AWG = 150FT**



**Fig. 2: Outdoor Temperature Sensor Terminals**

8. Mount and wire the outdoor sensor as described in the manufacturer’s instructions provide with the sensor.
9. Install the control access cover plate and front jacket panel.
10. Turn power to the unit “ON” and return the boiler to service.



**Fig. 3: Outdoor Temperature Sensor**

11. Access the INFO Menu to view the outdoor temperature sensor value and confirms its accuracy with a calibrated thermometer.